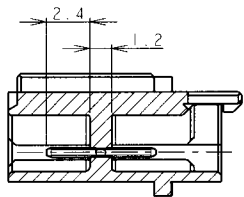
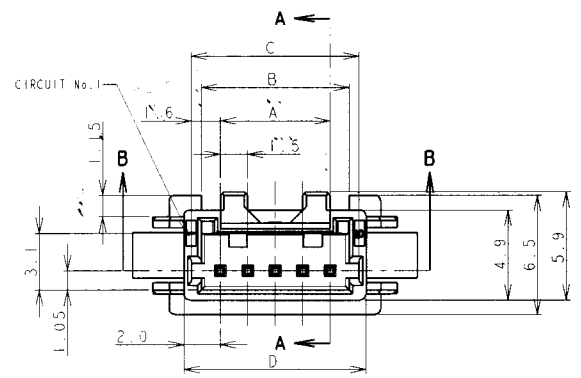
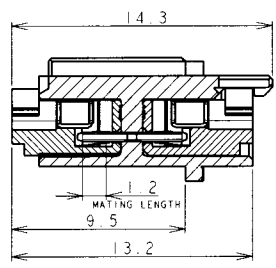


THIS DRAWING IS UNPUBLISHED. RELEASED FOR PUBLICATION 20
 © COPYRIGHT ALL RIGHTS RESERVED.

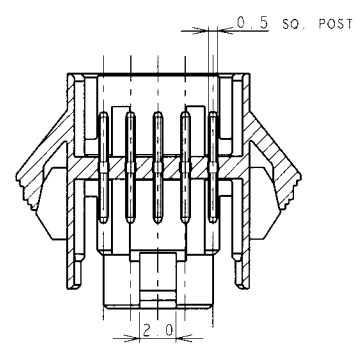
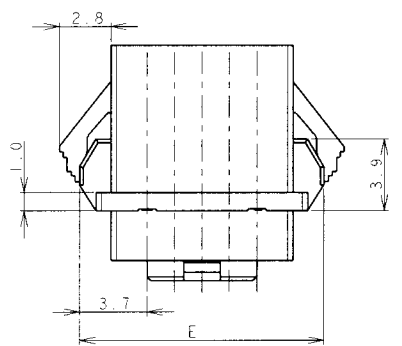
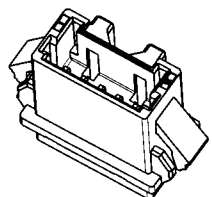
LOC	DIST	REVISIONS			
P	LTR	DESCRIPTION	DATE	DWN	APVD
FB	00	P	REVISED PER ECO-11-005033	15APR11	RK HMR



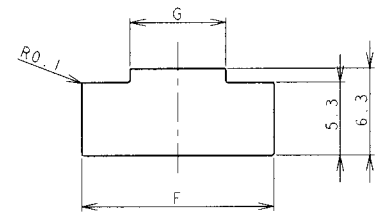
SECT A-A



MATING SECTION

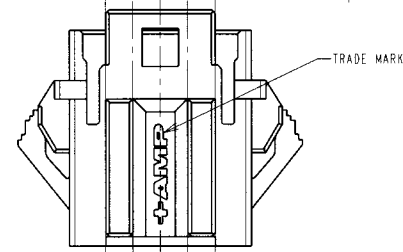
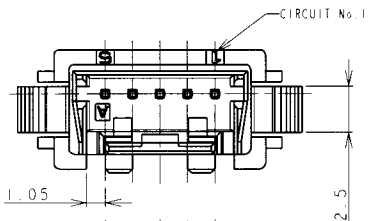


SECT B-B



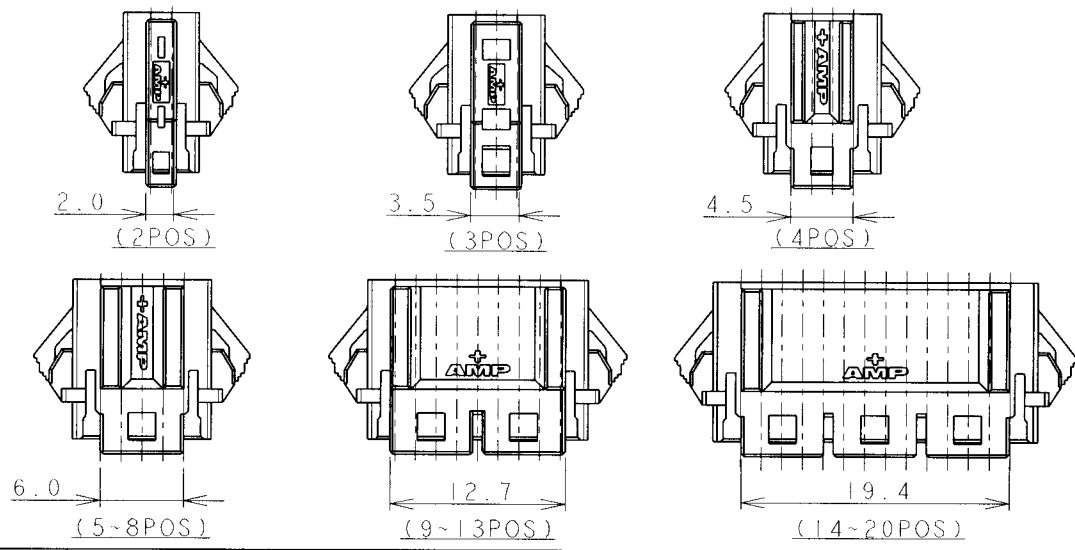
PANEL CUTOUT DIMENSION (TOLERANCE: ±0.1mm)
 (RECOMMENDED PANEL THICKNESS: 0.8mm~1.6mm)

- NOTES
 1. MATERIAL
 HOUSING: 66NYLON(94V-0), COLOR: WHITE, BLUE
 POST: TIN BRASS WIRE
 2. THE PANEL SHOULD BE PUNCHED SO THAT THE HOUSING
 ENTERS THE PANEL IN THE SAME DIRECTION AS PUNCH.



DIMENSIONS (mm)		TOLERANCES UNLESS OTHERWISE SPECIFIED:		DWN: J. JIANG 04FEB03		TE Connectivity		
		10 > : ±0.2 30 > 10 : ±0.25 100 > 30 : ±0.3 ANGLE : ±3°		CHK: S. YAO 04FEB03		NAME: AMP MINI COMMON TERMINATED (CT) CONNECTOR 1.5mm PITCH SINGLE ROW POST HEADER ASS'Y PANEL MOUNT TYPE		
MATERIAL		FINISH		APVD: T. SASAKI 04FEB03	SIZE: A3			RESTRICTED TO
SEE NOTE 1		SEE NOTE 1		PRODUCT SPEC: 108-60018	CAGE CODE: 00779			SHEET 1 OF 2
				APPLICATION SPEC: 114-5223	DRAWING NO: C-292215			REV P
				WEIGHT	SCALE: NON			
				CUSTOMER DRAWING				

LOC	DIST	REVISIONS			DATE	DWN	APVD
FB	00	P	LTR	DESCRIPTION			
		-		SEE SHEET 1	-	-	-



1.41	19.8	36.5	35.9	32.5	31.7	30.6	28.5	20	7-292215-0	2-292215-0	
1.35	19.8	35.0	34.4	31.0	30.2	29.1	27.0	19	6-292215-9	1-292215-9	
1.30	19.8	33.5	32.9	29.5	28.7	27.6	25.5	18	6-292215-8	1-292215-8	
1.24	19.8	32.0	31.4	28.0	27.2	26.1	24.0	17	6-292215-7	1-292215-7	
1.19	19.8	30.5	29.9	26.5	25.7	24.6	22.5	16	6-292215-6	1-292215-6	
1.13	19.8	29.0	28.4	25.0	24.2	23.1	21.0	15	6-292215-5	1-292215-5	
1.08	19.8	27.5	26.9	23.5	22.7	21.6	19.5	14	6-292215-4	1-292215-4	
0.97	13.1	26.0	25.4	22.0	21.2	20.1	18.0	13	6-292215-3	1-292215-3	
0.92	13.1	24.5	23.9	20.5	19.7	18.6	16.5	12	6-292215-2	1-292215-2	
0.86	13.1	23.0	22.4	19.0	18.2	17.1	15.0	11	6-292215-1	1-292215-1	
0.81	13.1	21.5	20.9	17.5	16.7	15.6	13.5	10	6-292215-0	1-292215-0	
0.75	13.1	20.0	19.4	16.0	15.2	14.1	12.0	9	5-292215-9	0-292215-9	
0.64	6.4	18.5	17.9	14.5	13.7	12.6	10.5	8	5-292215-8	0-292215-8	
0.59	6.4	17.0	16.4	13.0	12.2	11.1	9.0	7	5-292215-7	0-292215-7	
0.53	6.4	15.5	14.9	11.5	10.7	9.6	7.5	6	5-292215-6	0-292215-6	
0.48	6.4	14.0	13.4	10.0	9.2	8.1	6.0	5	5-292215-5	0-292215-5	
0.44	4.9	12.5	11.9	8.5	7.7	6.6	4.5	4	5-292215-4	0-292215-4	
0.37	4.1	11.0	10.4	7.0	6.2	5.1	3.0	3	5-292215-3	0-292215-3	
0.30	2.6	9.5	8.9	5.5	4.7	3.6	1.5	2	5-292215-2	0-292215-2	
WEIGHT (g)	G	F	E	D	C	B	A		BLUE	WHITE	
	DIMENSIONS							Pos	P/N		

20
 RELEASED FOR PUBLICATION
 ALL RIGHTS RESERVED
 THIS DRAWING IS UNPUBLISHED
 COPYRIGHT ©

DIMENSIONS: mm	DWN -	MATERIAL SEE SHEET 1	FINISH SEE SHEET 1
TOLERANCES UNLESS OTHERWISE SPECIFIED: 10 > : ±0.2 30 > 10 : ±0.25 100 > 30 : ±0.3 ANGLE : ±3°	CHK -	TE Connectivity	
APVD -	PRODUCT SPEC -		
	APPLICATION SPEC -	SIZE A4	CAGE CODE 00779
	WEIGHT -	DRAWING NO C-292215	RESTRICTED TO -
CUSTOMER DRAWING		SCALE NON	SHEET 2 OF 2 REV P