

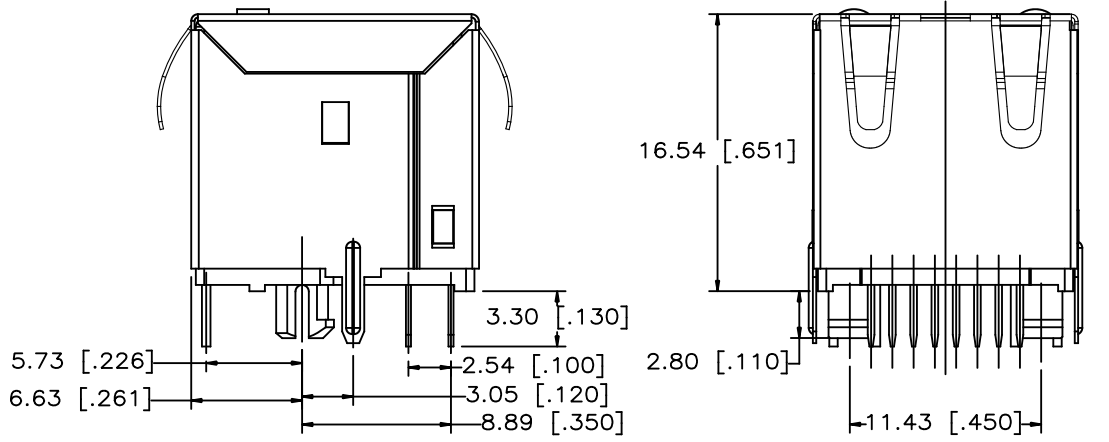
NOTES:

ELECTRICAL:

1. VOLTAGE RATING : 125 VAC.
2. CURRENT RATING : 1.25 AMP.
3. INSULATING RESISTANCE : 500 MEGOHMS MINIMUM.
4. DIELECTRIC STRENGTH : 1000 VAC 60HZ, 1MIN.
5. CATEGORY 6 CHARACTERISTIC:

REVISIONS			
REV	DESCRIPTION, ECN, EAR NO.	DATE	APP'D
A	PROPOSAL	MAY22.2015	L.CHAN
B	FIX LED SCHEMATIC OF PAGE1	JUN2.2015	L.CHAN
C	ADD LED RECOMMENDED HOLE	FEB24.2016	L.CHAN
D	ADD THE RECOMMENDED PANEL CUTOUT	FEB04.2017	L.CHAN

FREQUENCY	NEAR-END CROSSTALK	RETURN LOSS	INSERTION LOSS
MHz	dB, MIN.	dB, MIN.	dB, MAX.
1.0	75.0	30.0	0.1
4.0	75.0	30.0	0.1
8.0	75.0	30.0	0.1
10.0	74.0	30.0	0.1
16.0	69.9	30.0	0.1
20.0	68.0	30.0	0.1
25.0	66.0	30.0	0.1
31.25	64.1	30.0	0.11
62.5	58.1	28.1	0.16
100.0	54.0	24.0	0.20
200.0	48.0	18.0	0.28
250.0	46.0	16.0	0.32

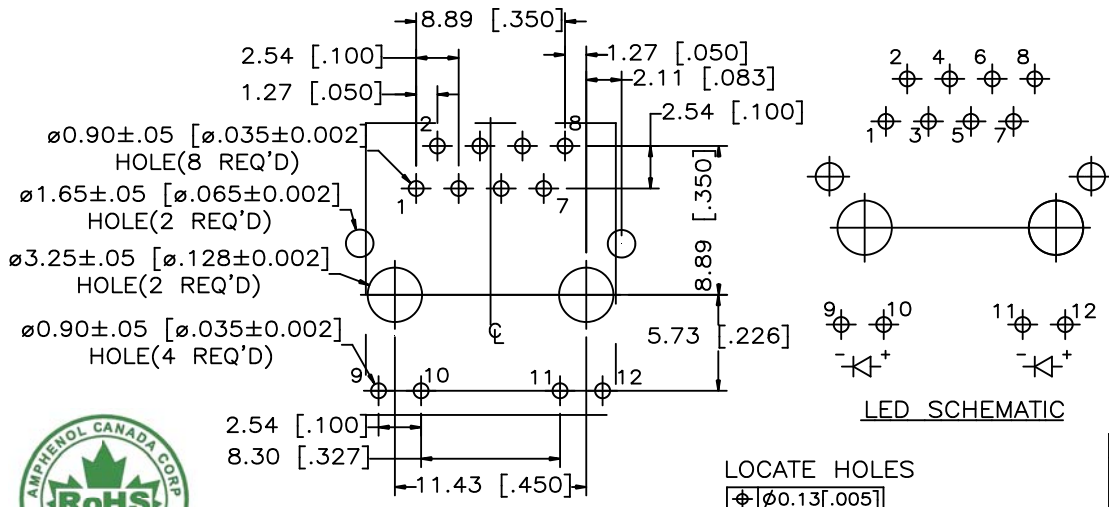


MECHANICAL:

1. HOUSING : HIGH TEMP THERMOPLASTIC. UL 94V-0.
2. INSERT : HIGH TEMP THERMOPLASTIC UL 94V-0.
3. CONTACT : PHOSPHOR BRONZE.  
SELECTIVE GOLD PLATING ON MATING SURFACE,  
SEE AMPHENOL PART NUMBER FOR DETAIL.  
50u" MIN. NICKEL UNDERPLATE  
100u" MIN. MATTE TIN PLATING ON CONTACT SOLDER TAIL.
4. SHIELD : STAINLESS STEEL

ENVIRONMENTAL:

1. STORAGE : -40° TO +85°.
  2. OPERATION : -40° TO +85°.
- MATES WITH MODULAR PLUG CONFORMING TO TIA 1096.  
RECOMMENDED SOLDER PROCESS:  
WAVE SOLDER, PEAK TEMPERATURE 260° FOR 5 SECOND MAXIMUM.  
REFLOW SOLDER, PEAK TEMPERATURE 260° FOR 5~8 SECOND.



AMPHENOL PART NUMBER: R J E 4 5 1 8 8 1 X X 1

- GOLD PLATING \_\_\_\_\_ LED OPTION ON NEXT PAGE
- 1 = GOLD FLASH
  - 2 = 15u"
  - 3 = 30u"
  - 4 = 50u"



RECOMMENDED P.C.B. LAYOUT  
(COMPONENT SIDE OF BOARD)

LOCATE HOLES  
⌀0.13 [0.005]  
HOLE POSITIONS ARE BASIC

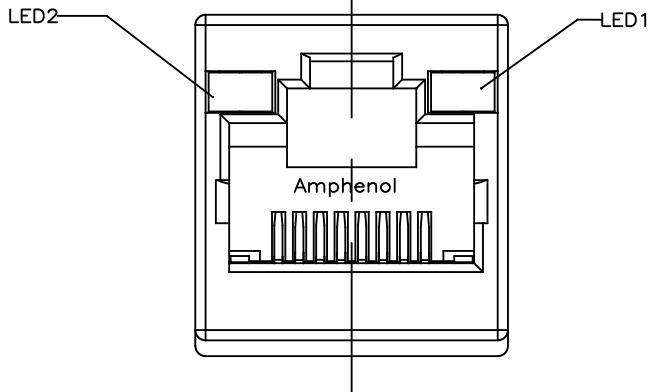
UNLESS SPECIFIED OTHERWISE	DRAWN KELVIN TANG	MAY22/15
PRIMARY UNITS: MILLIMETERS	CHECKED	
SECONDARY: INCHES	M.E. APP'D	
	Q.A. APP'D	
	DWG APP'D L.CHAN	MAY22/15
	ENG. REL. NO.	
1 DECIMAL PLACE	REF.	
2 DECIMAL PLACES ±0.38	THIRD ANGLE PROJECTION	DO NOT SCALE DRAWING
3 DECIMAL PLACES		
ANGULAR DEGREES		

Amphenol Canada Corp.  
www.amphenolcanada.com

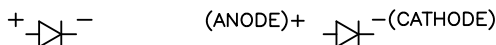
VERTICAL MODULAR JACK  
SINGLE PORTS, 8 POSITION, 8 CONTACTS,  
REFLOW LED, SHIELDED, CAT6  
TRAY PACKAGING -RoHS COMPLIANT

DWG NO. P-RJE45-188-1XX1

CODE ID NO. 03554 | DWG SIZE: C | SCALE: FIT | SHEET 1 OF 3



TYPICAL FOR SINGLE & MULTI-PORT



**LED SPECIFICATIONS:**

FORWARD VOLTAGE: 2.1 VOLTS TYP.  
 REVERSE VOLTAGE: 5.0 VOLTS MIN.  
 LUMINOUS INTENSITY: 0.5 mCd MIN.  
 (AT If=2mA)

STORAGE TEMPERATURE: -40° TO 85° C  
 PLATING ON TAILS: TIN OR TIN/COPPER  
 ALLOY OVER SILVER

PRIMARY COLOR FOR BI-COLOR  
 LEDS IN STANDARD ANODE/  
 CATHODE CONFIGURATION IS:  
 RED-GREEN= RED  
 RED-YELLOW= RED  
 GREEN-YELLOW= GREEN  
 GREEN-ORANGE= GREEN

**EXAMPLE:**

PART NUMBER R J E 4 5 1 8 8 1 X X 1

LED COLOR CODE

CODE	LED 2 (LEFT)	LED 1 (RIGHT)	CODE	LED 2 (LEFT)	LED 1 (RIGHT)	CODE	LED 2 (LEFT)	LED 1 (RIGHT)
0	BLOCKED	BLOCKED	9	GREEN	BLOCKED	J	BiC RD/GR	YELLOW
1	YELLOW	GREEN	A	BiC GR/YE	BiC GR/YE	K	YELLOW	BiC GR/OR
2	BLOCKED	GREEN	B	BiC RD/GR	BiC RD/GR	L	BiC GR/YE	RED
3	YELLOW	BLOCKED	C	BiC RD/GR	BiC GR/YE	M	RED	YELLOW
4	GREEN	YELLOW	D	GREEN	BiC GR/YE	N	BiC GR/RD	BiC GR/YE
5	GREEN	GREEN	E	YELLOW	BiC GR/YE	P	GREEN	BiC RD/GR
6	YELLOW	YELLOW	F	BiC GR/YE	YELLOW	R	BiC GR/OR	GREEN
7	RED	GREEN	G	BiC GR/OR	BiC GR/OR	T	RED	RED
8	GREEN	RED	H	BiC GR/YE	GREEN	V	BiC RD/GR	GREEN

**LEGEND**

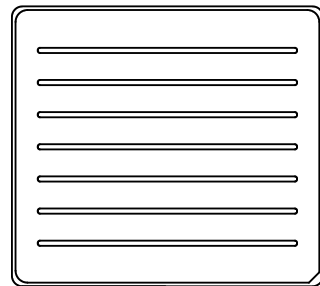
BiC=BI-COLOR LED  
 LOWC=LOW CURRENT LED  
 YE=YELLOW  
 GR=GREEN  
 RD=RED  
 OR=ORANGE

**NOTE:**

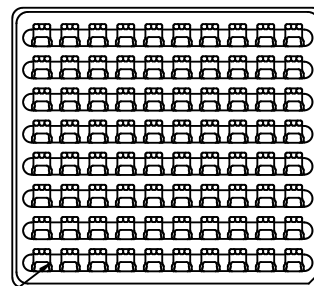
THE TWO DIGITS PRECEDING THE  
 ADDITIONAL LED CODE MUST BE  
 USED IN THE PART NUMBER, WHEN  
 ORDERING ANY OF THE ADDITIONAL  
 LED OPTIONS.



UNLESS SPECIFIED OTHERWISE		DRAWN	KELVIN TANG	MAY22/15	Amphenol Canada Corp. www.amphenolcanada.com	
PRIMARY UNITS: MILLIMETERS		CHECKED			VERTICAL MODULAR JACK	
SECONDARY: INCHES		M.E. APP'D			SINGLE PORTS, 8 POSITION, 8 CONTACTS,	
		Q.A. APP'D			REFLOW LED, SHIELDED, CAT6	
		DWG APP'D	L.CHAN	MAY22/15	TRAY PACKAGING -RoHS COMPLIANT	
1 DECIMAL PLACE		ENG. REL. NO.			DWG NO.	REV
2 DECIMAL PLACES ±0.38		REF.			P-RJE45-188-1XX1	D
3 DECIMAL PLACES		THIRD ANGLE PROJECTION			CODE ID NO. 03554	DWG SIZE: c
ANGULAR DEGREES		DO NOT SCALE DRAWING			SCALE: FIT	SHEET 2 OF 3



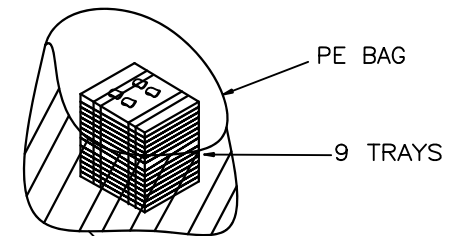
TOP TRAY



BOTTOM TRAY

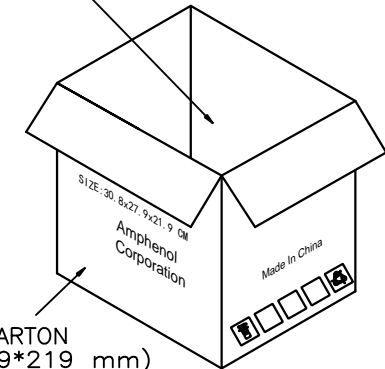


CONNECTORS

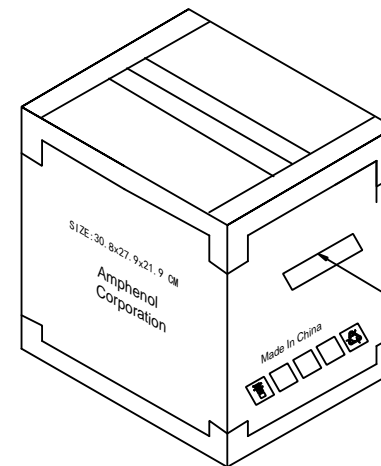


PE BAG

9 TRAYS



CARTON  
(308\*279\*219 mm)



AMPHENOL P/N: RJE451881X01 Q' TY: 720  
 LOT# DATE CODE CTY OF ORIGIN: CN

NOTES:

1. FINISHED CONNECTORS (AFTER FINAL INSPECTION) TO BE PACKED INTO CONDUCTIVE HIPS TRAYS, 80 CONNECTORS PER TRAY.
2. TOTAL 9 TRAYS LOADED WITH CONNECTORS TO BE PACKED INTO PE BAG, MUST SEAL PE BAG.
3. TRAYS & CARTONS MATERIAL MUST BE ABLE TO WITHSTAND IMPACT DURING PRODUCT TRANSPORTATION TO PREVENT ANY DAMAGE TO FINISHED CONNECTORS.
4. EACH TRAY AND CARTON OF PARTS TO BE LABELLED WITH AMPHENOL CANADA PART NUMBER, DATE CODE, QUANTITY, COUNTRY OF ORIGIN, AND CSA/UL LOGO WHEN APPROVED.

UNLESS SPECIFIED OTHERWISE	DRAWN KELVIN TANG	MAY22/15	Amphenol Canada Corp. www.amphenolcanada.com	
PRIMARY UNITS: MILLIMETERS	CHECKED		VERTICAL MODULAR JACK	
SECONDARY: INCHES	M.E. APP'D		SINGLE PORTS, 8 POSITION, 8 CONTACTS,	
	Q.A. APP'D		REFLOW LED, SHIELDED, CAT6	
	DWG APP'D L.CHAN	MAY22/15	TRAY PACKAGING -RoHS COMPLIANT	
1 DECIMAL PLACE	ENG. REL. NO.		DWG NO.	REV
2 DECIMAL PLACES ±0.38	REF.		P-RJE45-188-1XX1	D
3 DECIMAL PLACES	THIRD ANGLE PROJECTION	DO NOT SCALE DRAWING	CODE ID NO. 03554	DWG SIZE: C
ANGULAR DEGREES			SCALE: FIT	SHEET 3 OF 3