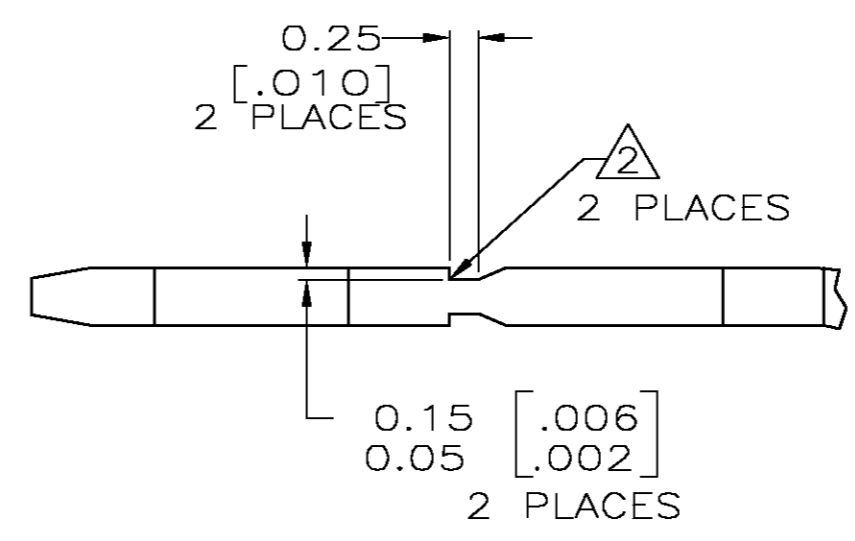
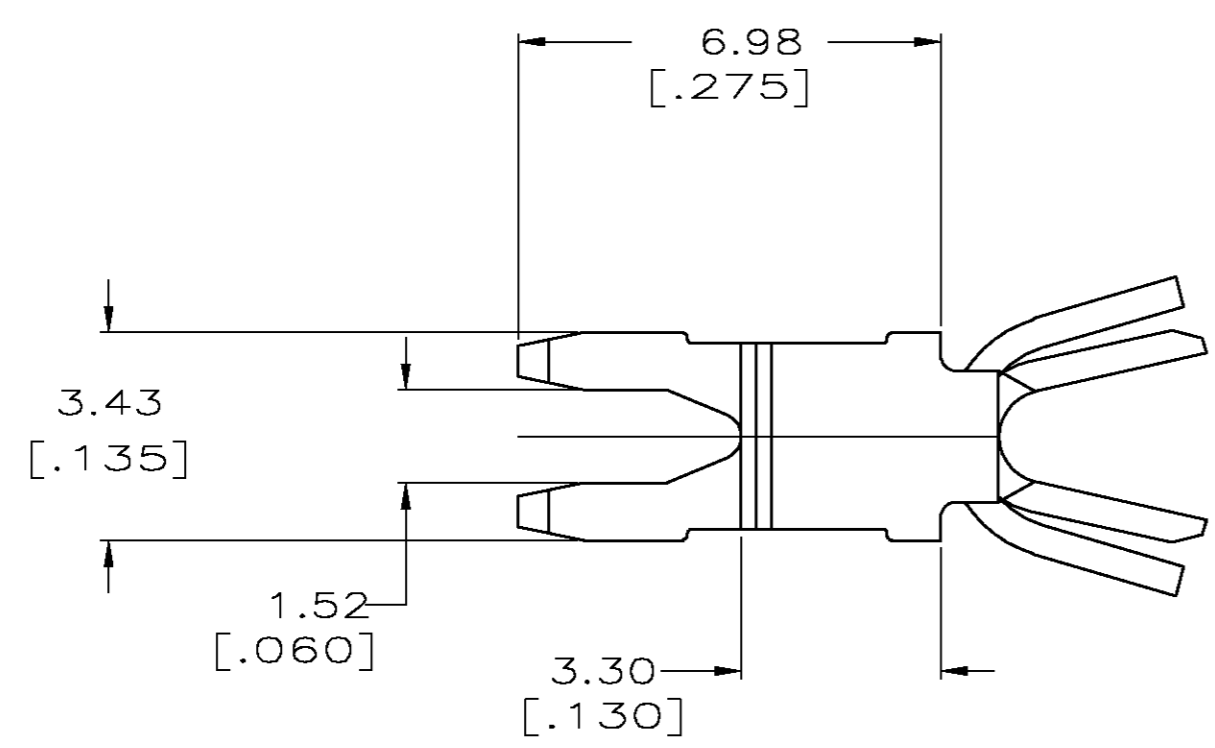


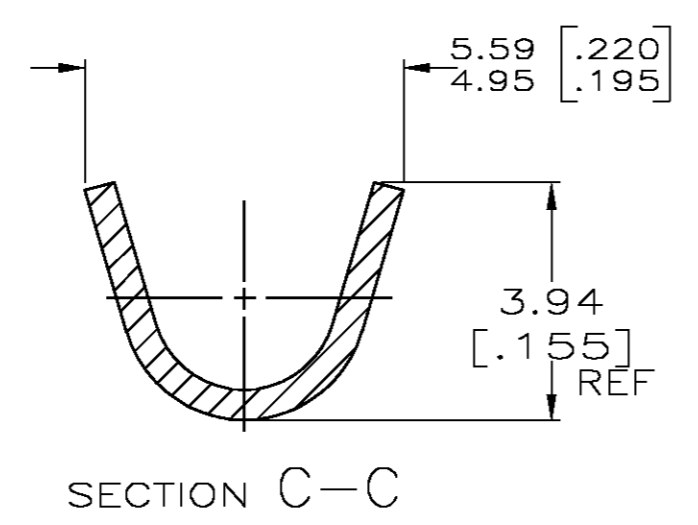
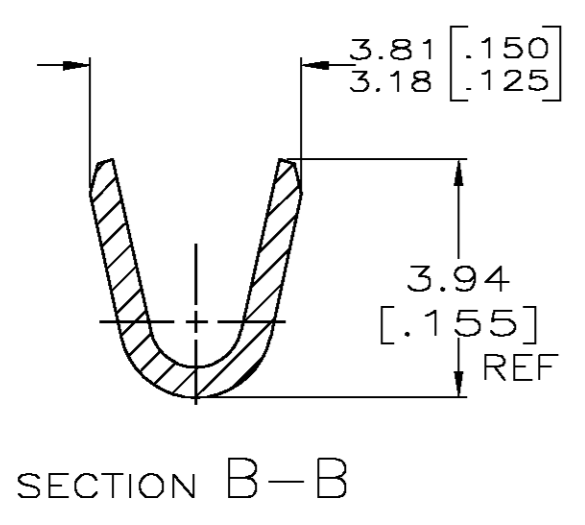
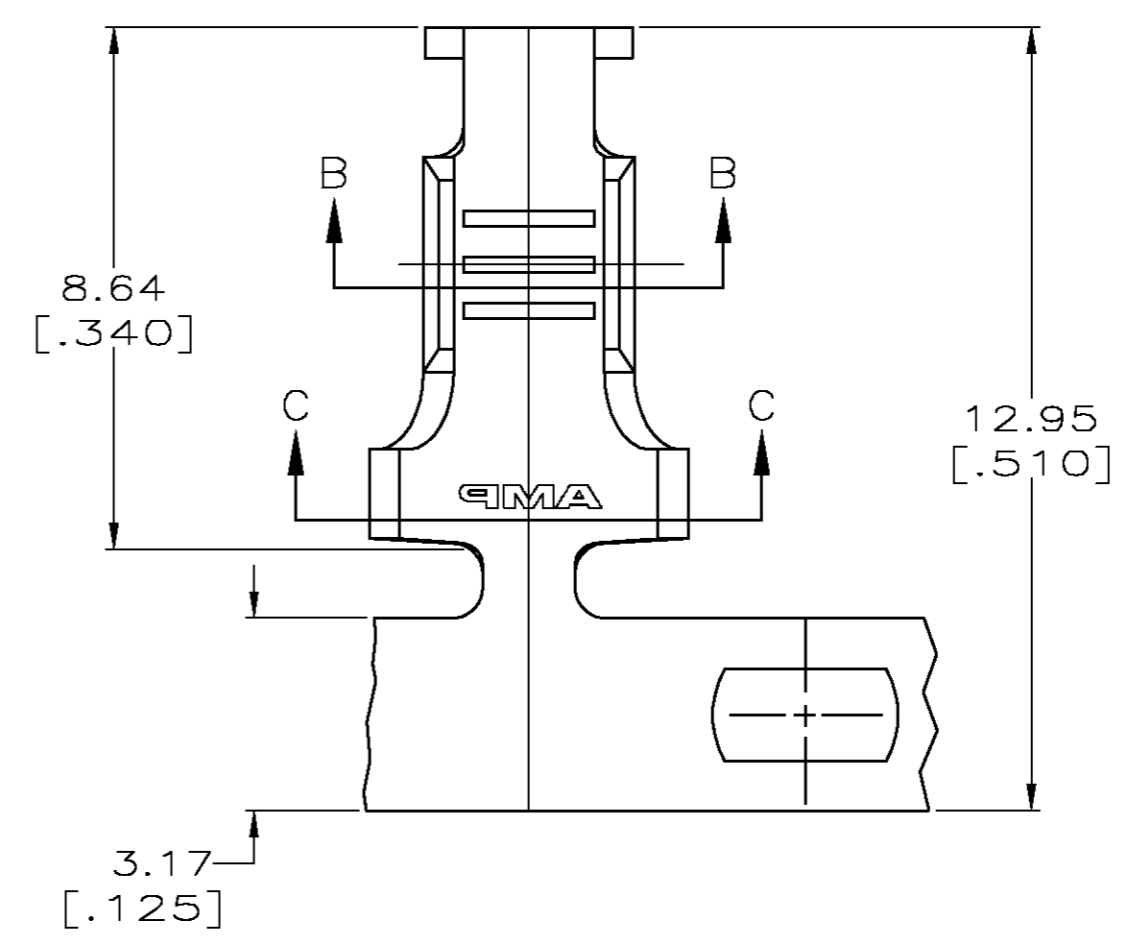
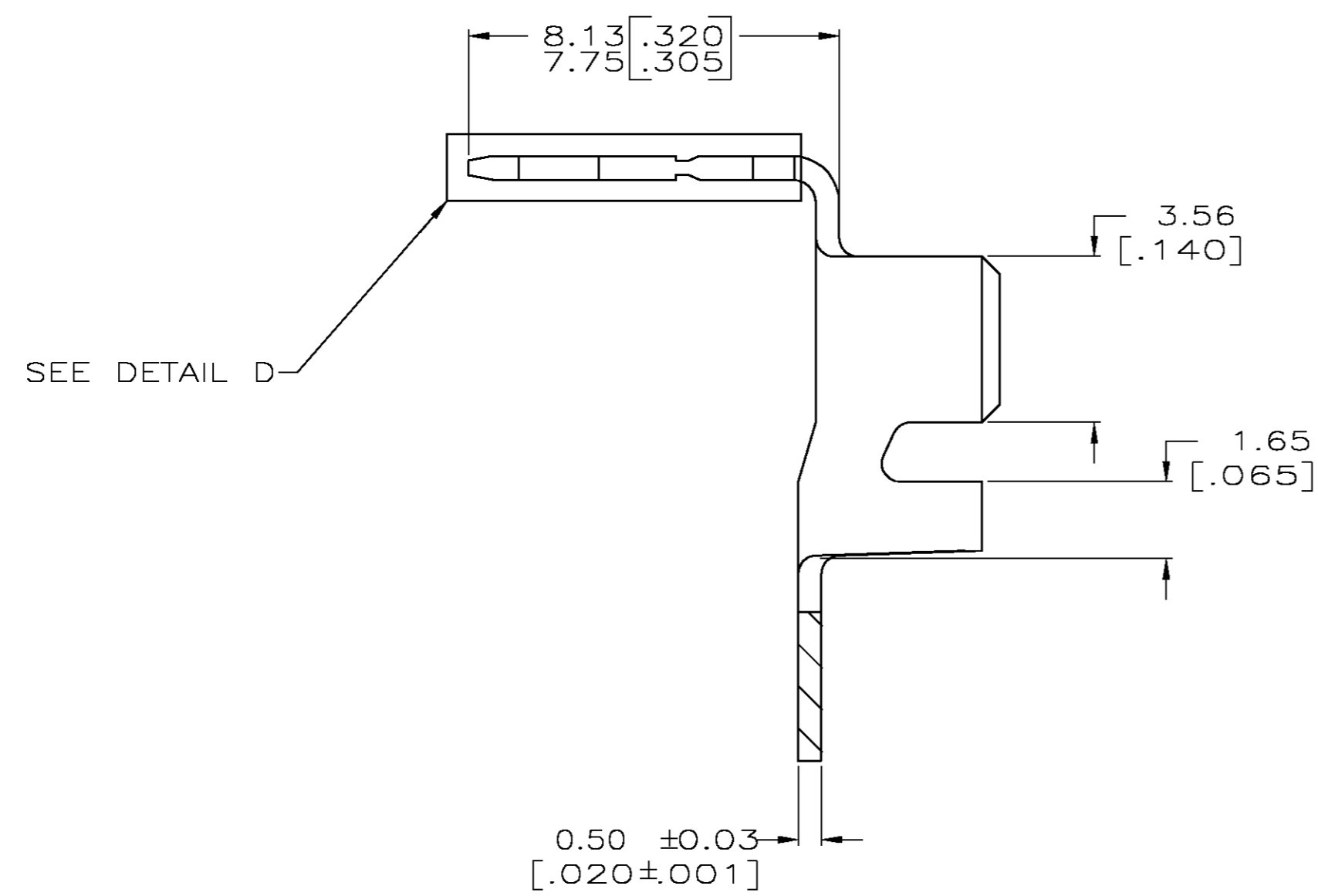
THIS DRAWING IS UNPUBLISHED. RELEASED FOR PUBLICATION  
 © COPYRIGHT BY TYCO ELECTRONICS CORPORATION. ALL RIGHTS RESERVED.

LOC		DIST		REVISIONS			
P	LTR	DESCRIPTION	DATE	DWN	APVD		
AF	50	D	REVISED PER 0G3A-0750-02	17DEC02	MF	KR	



DETAIL D  
 SCALE 15:1

- 1 CONTINUOUS STRIP ON REELS WITH TERMINALS LOCATED ON 9.14±0.08 [.360±.003] CENTERS
- 2 FOR OPTIMUM RETENTION IN POKE-IN TYPE MAG-MATE TERMINALS, THE SERRATION AS SHOWN MUST BE ENGAGED WITH THE EDGE OF THE LEAF



STANDARD	#18-#14 AWG	2.29-3.56 [.090-.140] DIA	1217214-1
REELING	WIRE RANGE	INSULATION RANGE	PART NUMBER
THIS DRAWING IS A CONTROLLED DOCUMENT.		Tyco Electronics Corporation Harrisburg, PA 17105-3608	
DIMENSIONS: MM	TOLERANCES UNLESS OTHERWISE SPECIFIED:	NAME: KURT A. RANDOLPH PRODUCT SPEC: 108-22045 APPLICATION SPEC: 114-2050	
0 PLC ± -	1 PLC ± -	SIZE: A2	CAGE CODE: 00779
2 PLC ± 0.25[.010]	3 PLC ± -	DRAWING NO: C=1217214	
4 PLC ± -	ANGLES ± -	RESTRICTED TO: -	
MATERIAL: 082 BRASS	FINISH: 0.000381[.000015] MIN PRE-TIN PLATE	WEIGHT: -	SCALE: 8:1
CUSTOMER DRAWING		SHEET: 1 OF 1	REV: D