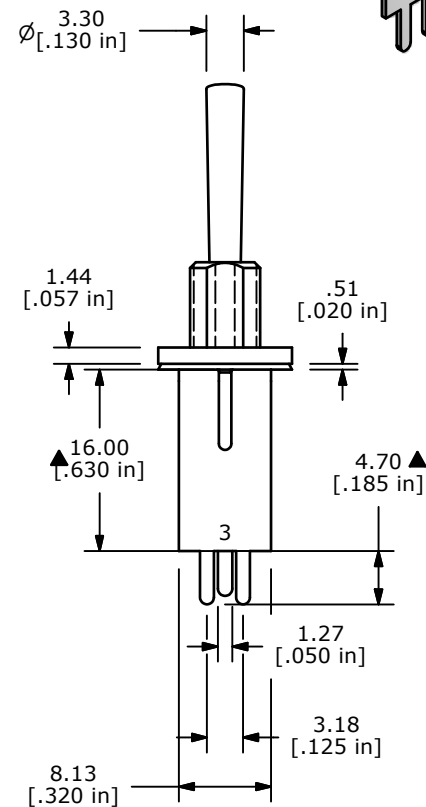
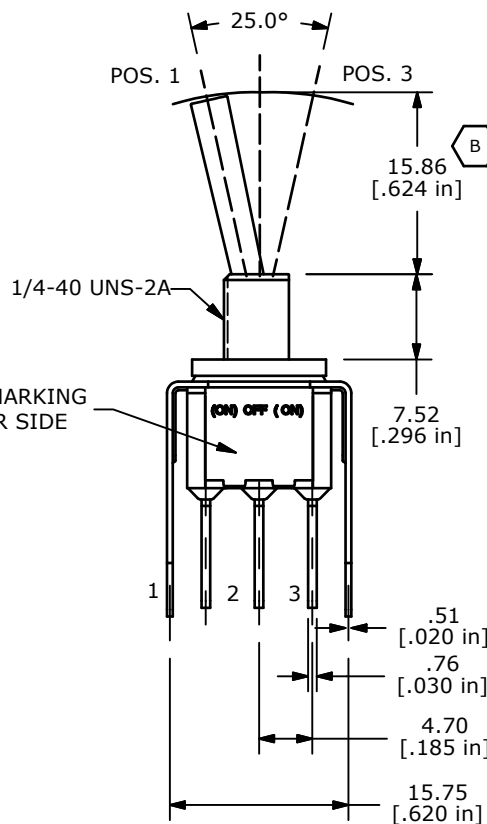
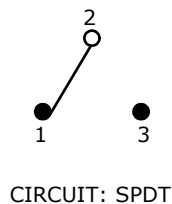


SWITCH FUNCTION		
POS. 1	POS. 2	POS. 3
"ON"	OFF	"ON"
2-3	OPEN	2-1



- NOTE:
- ALL DIMENSIONS IN MM [INCH]
 - GENERAL TOLERANCE: X.X=±0.4
X.XX=±0.25
 - TERMINAL NUMBERS FOR REF ONLY
 - PLATING MATERIAL: GOLD
 - RATING: 0.4 (VA) Max. @20V Max. (AC or DC)
 - ELECTRIC LIFE: 40,000 MAKE-AND-BREAK CYCLES AT FULL LOAD.
 - INSULATION RESISTANCE: 1,000 MEGA-OHM MIN.
 - DIELECTRIC STRENGTH: 1,000 V RMS @SEA LEVEL.
 - OPERATING TEMP.: -30°C to 85°C
 - HARDWARE TO BE SHIPPED BULK
T100000 - HEXNUT - QTY 2
T100011 - LOCKWASHER - QTY 1
T100002 - LOCKRING - QTY 1
T100016 - O-RING - QTY 1
 - ▲ DENOTES CRITICAL PARAMETER.
 - 2002/95/EC (ROHS) COMPLIANT



B	20076	UPDATE ACTUATOR HEIGHT	08/02/11	BMA
A	20058	NEW PART RELEASE	07/12/11	BMA
REV	PCR NO	DESCRIPTION	DATE	BY

TITLE 100SP4T4B9VS3REH				
SCALE	DATE	DR	DWG	REV
1.5:1	7/12/2011	BMA	ST114015	B

THE INFORMATION CONTAINED IN THIS DOCUMENT IS PROPRIETARY TO E-SWITCH AND IS NOT TO BE COPIED OR TRANSFERRED