

**PART NUMBER CODING**

**MATERIAL (INSULATOR/CONTACT)**

- R = BLACK PPS/PHOSPHOR BRONZE**  
OPERATING TEMP: -65°C TO +125°C  
PROCESSING TEMP: 260°C MAX FOR 20 SECONDS
- G = BLACK PA9T/PHOSPHOR BRONZE**  
OPERATING TEMP: -65°C TO +125°C  
PROCESSING TEMP: 260°C MAX FOR 20 SECONDS
- A = BLACK PPS/BERYLLIUM COPPER**  
OPERATING TEMP: -65°C TO +150°C  
PROCESSING TEMP: 260°C MAX FOR 20 SECONDS
- J = BLACK PA9T/BERYLLIUM COPPER**  
OPERATING TEMP: -65°C TO +150°C  
PROCESSING TEMP: 260°C MAX FOR 20 SECONDS

**MOUNTING STYLE**

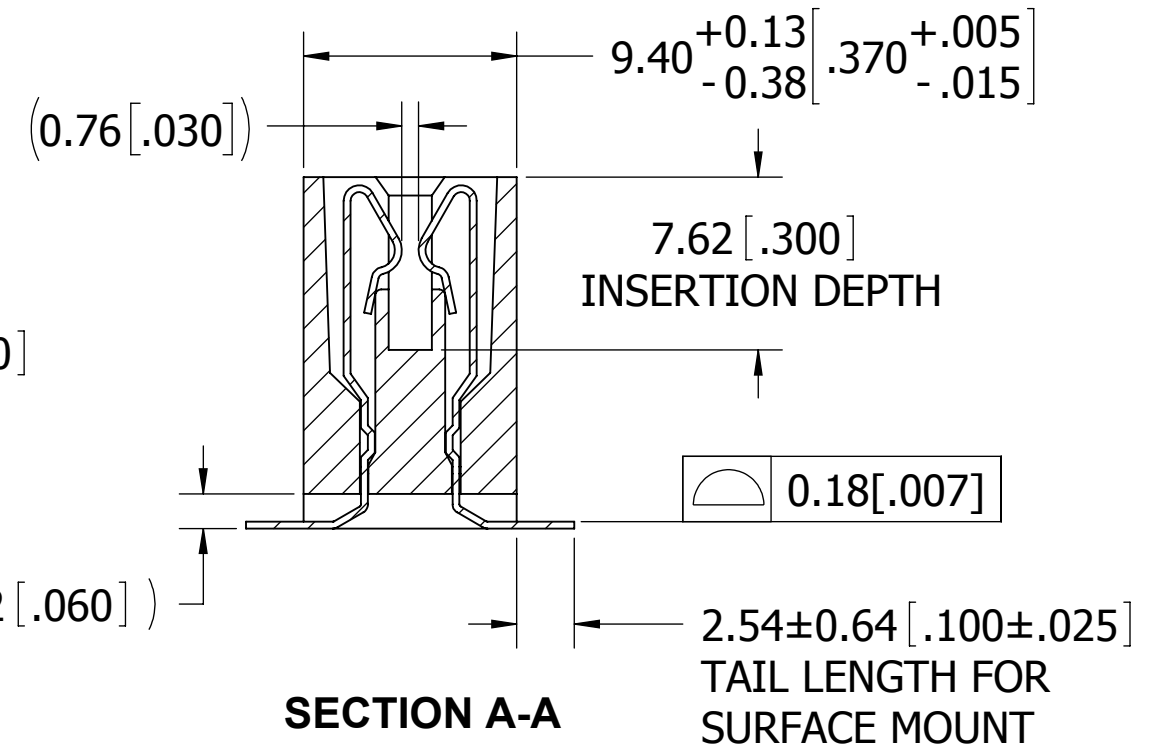
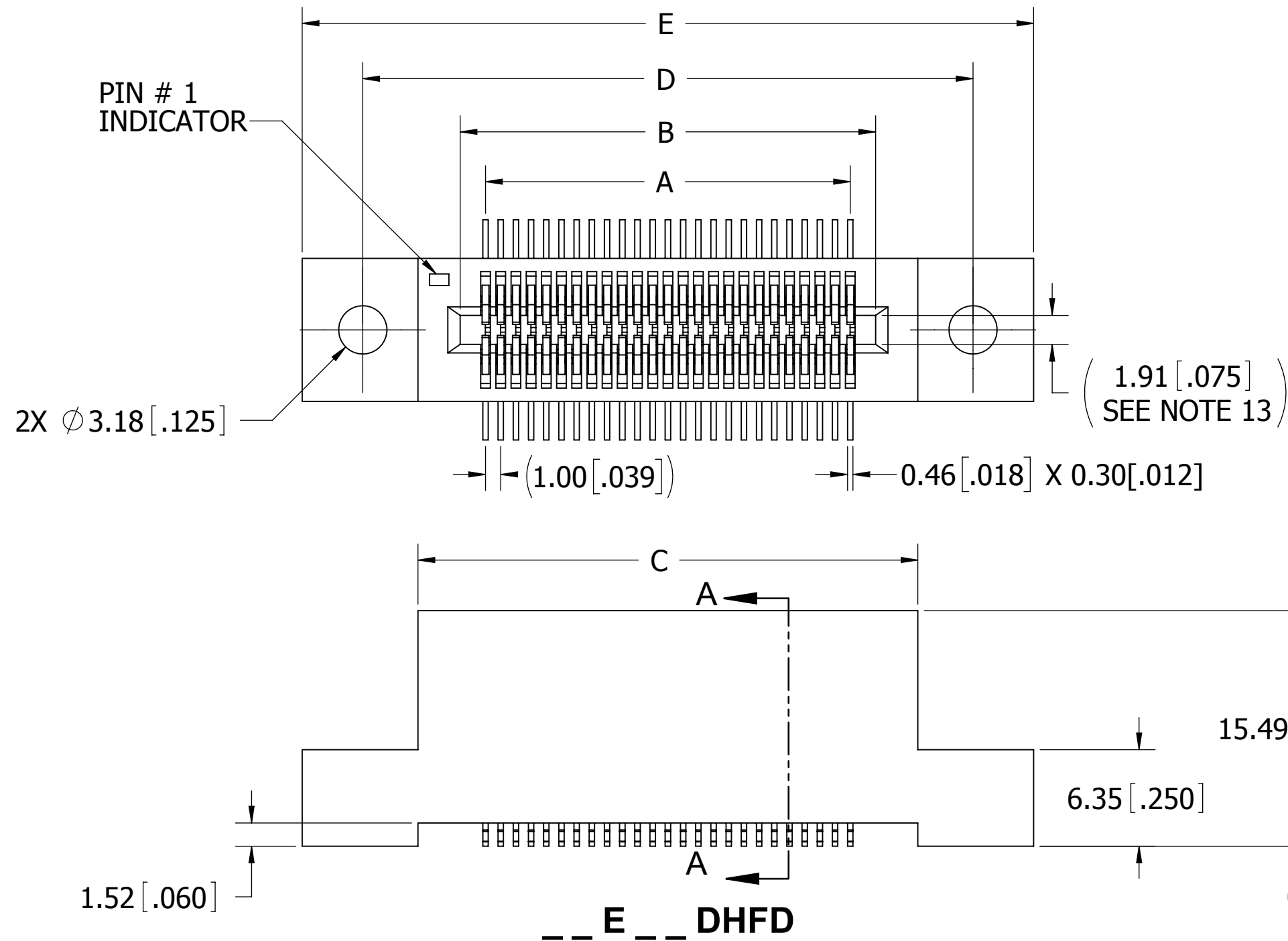
- D = FLUSH MOUNTING
- N = NO MOUNTING EARS
- T = FLUSH MTG. WITH THRD INSERT
- R = BOARD LOCKS

**NUMBER OF POSITIONS**  
(CONTACTS PER ROW)

**PLATING**

- ALL PLATINGS ARE LEAD FREE AND HAVE .000050" NICKEL UNDERPLATE
- |                   |                          |
|-------------------|--------------------------|
| CONTACT SURFACE   | TERMINATION              |
| B = .000010" GOLD | .000100" PURE TIN, MATTE |
| C = .000030" GOLD | .000100" PURE TIN, MATTE |
| N = .000050" GOLD | .000100" PURE TIN, MATTE |

REVISIONS				
REV.	ECO. NO	DESCRIPTION	DATE	BY
J	3710	ADD 'N' PLATING, ADD REF TO TAIL HEIGHT DIM 1.52[.060]	7/12/2017	JH



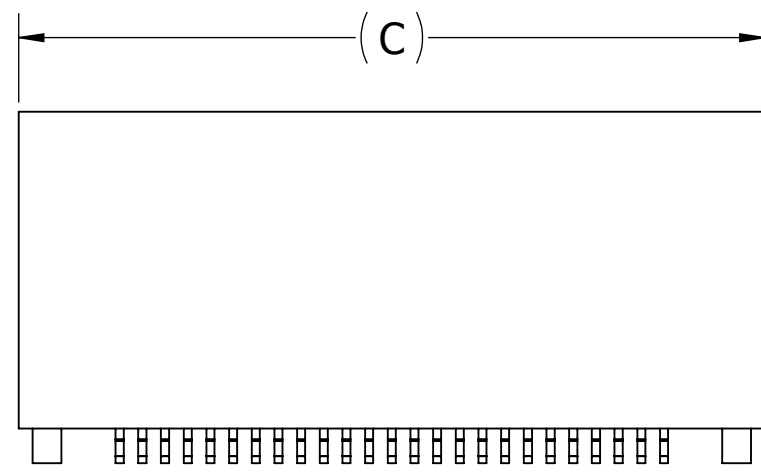
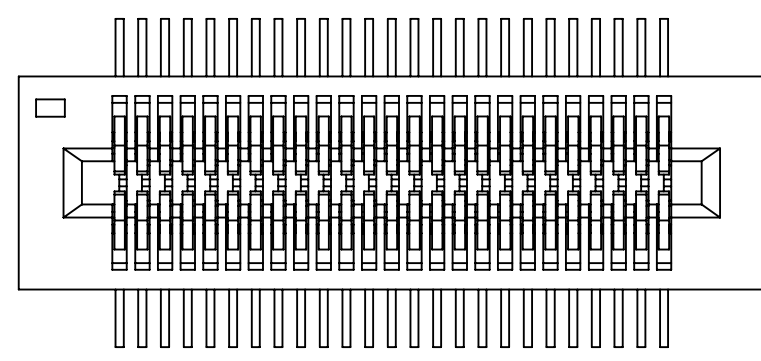
**NOTES:**

1. INSULATOR MATERIAL: SEE PART NUMBER CODING
2. CONTACT MATERIAL: SEE PART NUMBER CODING
3. PLATING: SEE PART NUMBER CODING
4. OPERATING TEMPERATURE: SEE PART NUMBER CODING
5. PROCESSING TEMP: SEE PART NUMBER CODING
6. UL FLAMMABILITY RATING: 94V-0
7. OPERATING VOLTAGE: 225 VAC
8. CURRENT RATING: 1 AMP
9. CONTACT RESISTANCE: 30 MILLI OHMS MAX
10. INSULATION RESISTANCE: 5000 MEGA OHMS
11. DURABILITY: 500 CYCLES MINIMUM
12. CONNECTOR IDENTIFICATION: THE PART SHALL BE MARKED WITH A PART NUMBER AND LOT CODE
13. BOARD THICKNESS ACCOMMODATED: 1.57 ± 0.20 [.062 ± .008"]
14. INSERTION FORCE: 6 OZ MAX PER CONTACT PAIR WHEN USING A 1.57 [.062"] TEST BLADE
15. WITHDRAWAL FORCE: 1 OZ MIN PER CONTACT PAIR USING 1.57 [.062"] TEST BLADE

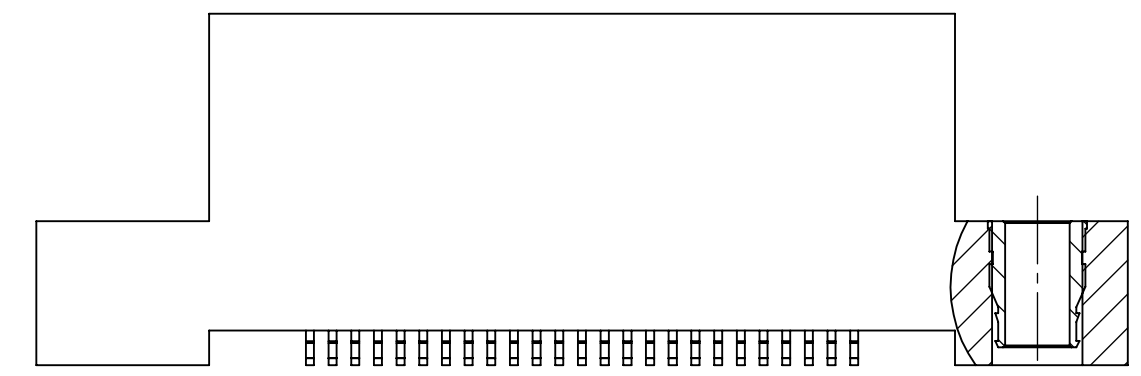
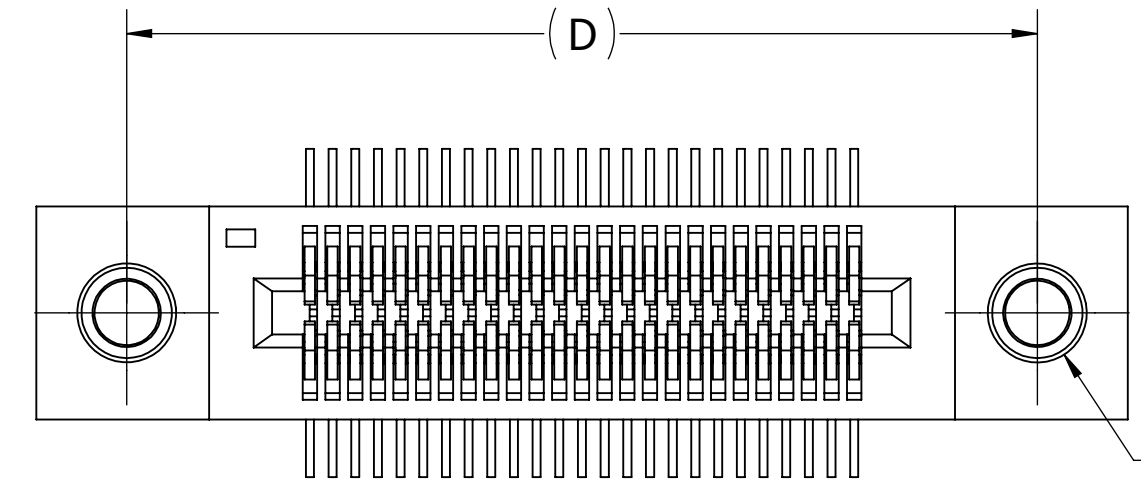


**CUSTOMER COPY**

UNLESS OTHERWISE SPECIFIED: DIMENSIONS ARE IN MM [INCHES]	DRAWN	DATE	NAME			
		12/19/2005	HT			
<b>TOLERANCES:</b> ANGULAR: ± 1°  DECIMALS .X = ± 0.5 [.02] .XX = ± 0.13 [.005] .XXX = ± 0.013 [.0005]	THE INFORMATION HEREIN CONTAINS PROPRIETARY INFORMATION OF SULLINS ELECTRONICS AND IS NOT TO BE REPRODUCED, USED OR DISCLOSED TO OTHERS FOR ANY PURPOSE EXCEPT AS SPECIFICALLY AUTHORIZED IN WRITING BY AN OFFICER OF SULLINS ELECTRONICS.			<b>TITLE</b> EDGE CARD, 1mm CC HP		
	<b>PART NUMBER</b> _ _ E _ _ DHF _			<b>SIZE</b> C	<b>CAGE CODE</b> 54453	<b>DWG. NO.</b> C10646
SCALE: 3:1		SHEET 1 OF 3				

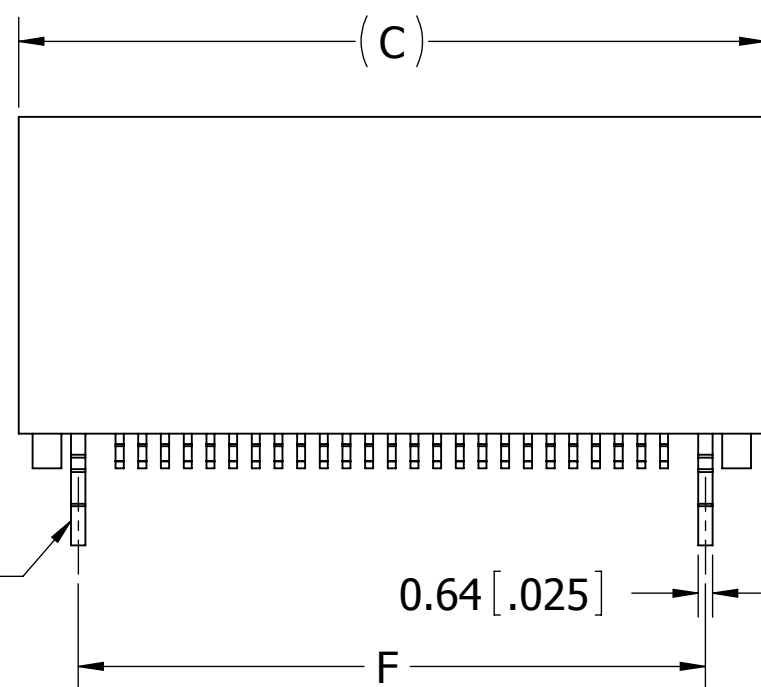
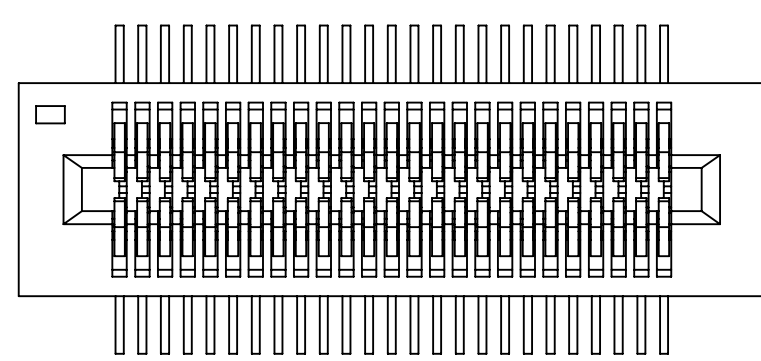


\_\_ E \_\_ DHFN



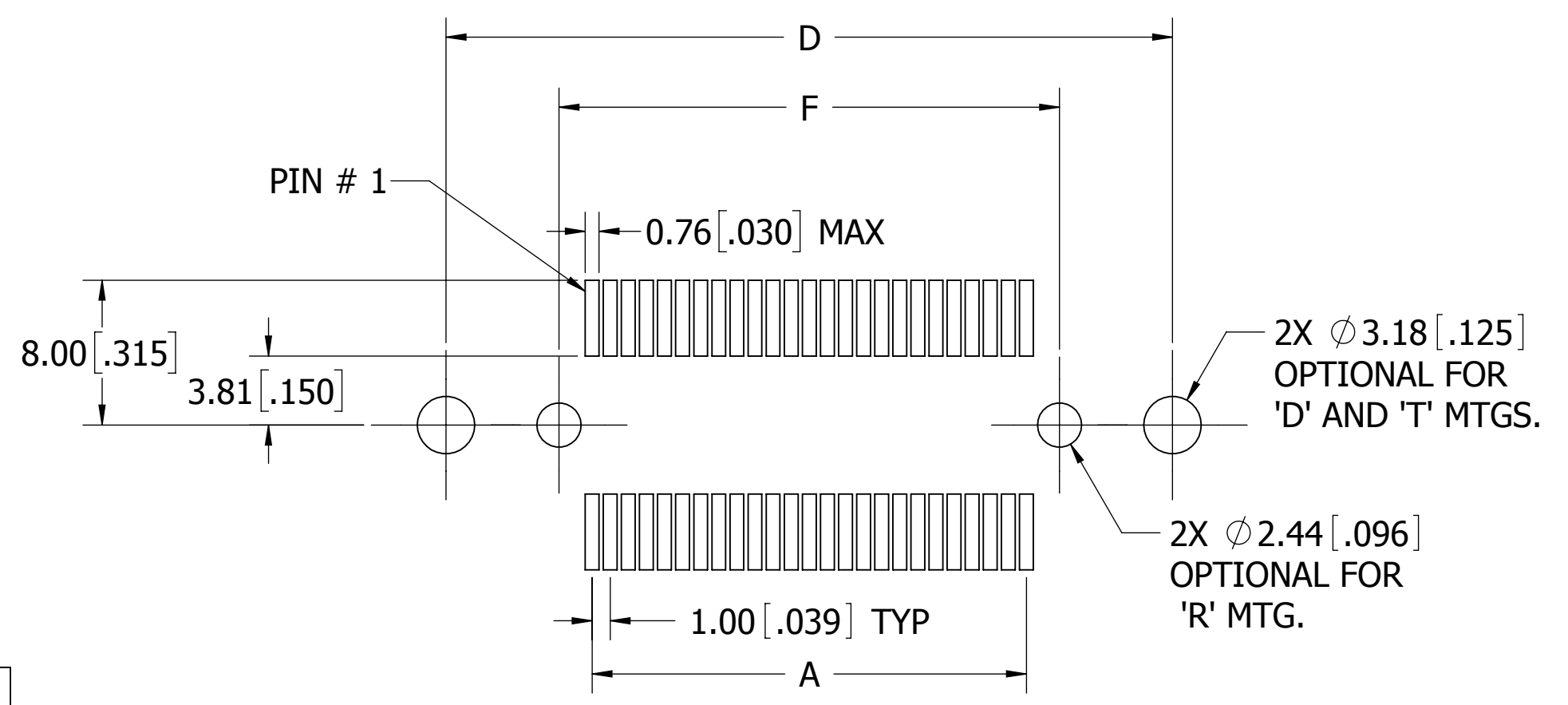
2X # 4-40  
THREADED INSERTS

\_\_ E \_\_ DHFT

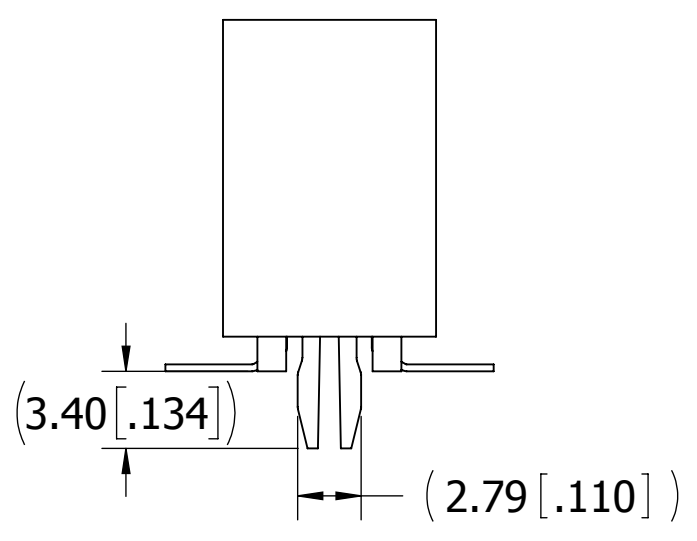


METAL BOARD LOCK

\_\_ E \_\_ DHFR



RECOMMENDED PCB LAYOUT

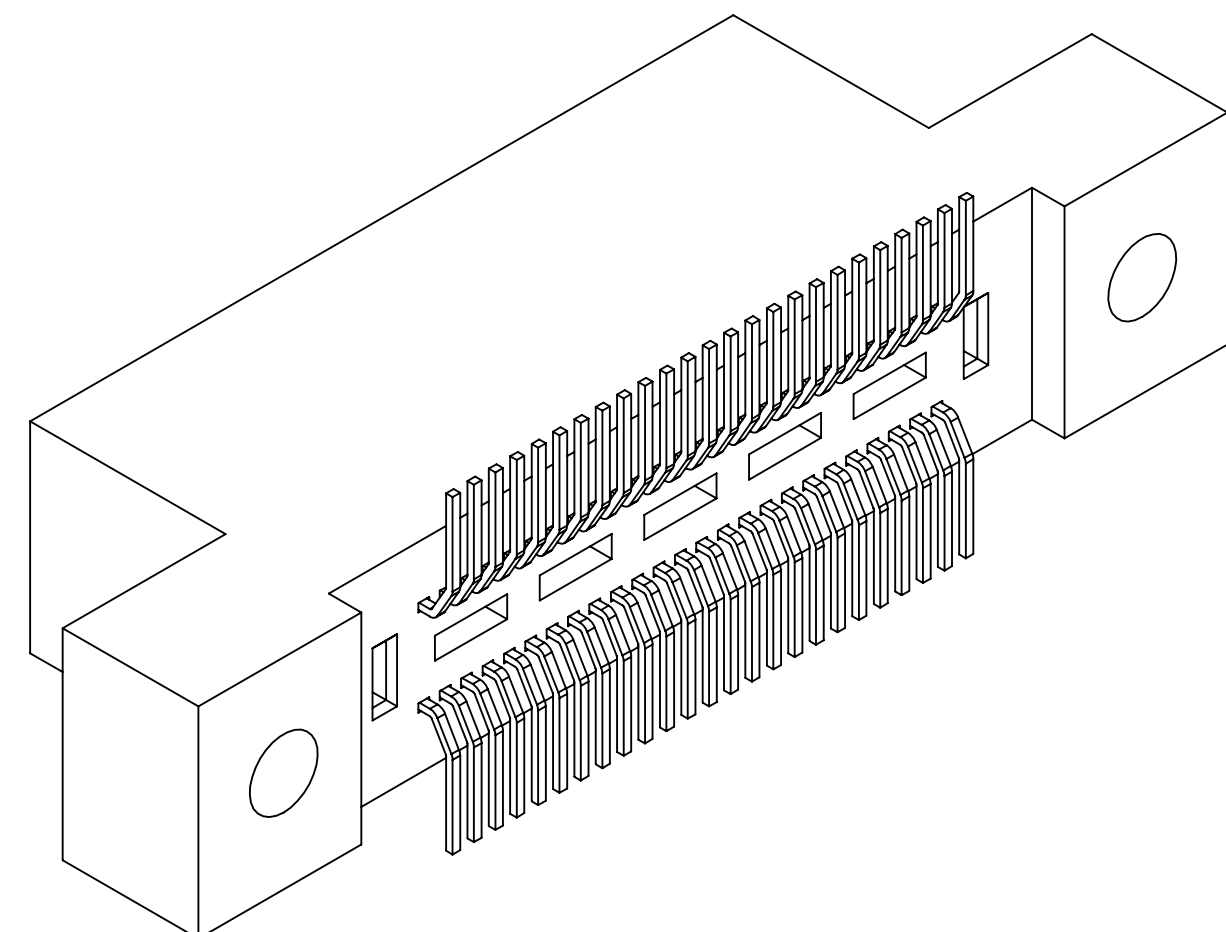


# CUSTOMER COPY

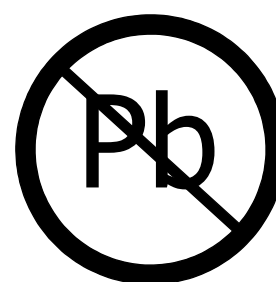


UNLESS OTHERWISE SPECIFIED: DIMENSIONS ARE IN MM [INCHES]		DRAWN	DATE	NAME	
TOLERANCES: ANGULAR: ± 1° DECIMALS .X= ±0.5 [.02] .XX= ±0.13 [.005] .XXX= ±0.013 [.0005]		12/19/2005	HT		
<small>THE INFORMATION HEREIN CONTAINS PROPRIETARY INFORMATION OF SULLINS ELECTRONICS AND IS NOT TO BE REPRODUCED, USED OR DISCLOSED TO OTHERS FOR ANY PURPOSE EXCEPT AS SPECIFICALLY AUTHORIZED IN WRITING BY AN OFFICER OF SULLINS ELECTRONICS.</small>					TITLE
					EDGE CARD, 1mm CC HP
					PART NUMBER
					__ E __ DHF __
SIZE	CAGE CODE	DWG. NO.		REV	
C	54453	C10646		J	
SCALE: 3:1				SHEET 2 OF 3	

PART NUMBER	POSITIONS/ CONTACTS	A±0.13[±.005]		B±0.13[±.005]		C±0.38[±.015]		D±0.25[±.010]		E±0.51[±.020]		F±0.25[±.010]	
		INCHES	MM	INCHES	MM	INCHES	MM	INCHES	MM	INCHES	MM	INCHES	MM
__E02DHF__	2/4	0.039	1.00	0.170	4.32	0.389	9.89	0.675	17.15	0.989	25.13	0.183	4.66
__E03DHF__	3/6	0.079	2.00	0.210	5.32	0.429	10.89	0.715	18.15	1.029	26.13	0.223	5.66
__E04DHF__	4/8	0.118	3.00	0.249	6.32	0.468	11.89	0.754	19.15	1.068	27.13	0.262	6.66
__E05DHF__	5/10	0.157	4.00	0.288	7.32	0.507	12.89	0.793	20.15	1.107	28.13	0.302	7.66
__E06DHF__	6/12	0.197	5.00	0.328	8.32	0.547	13.89	0.833	21.15	1.147	29.13	0.341	8.66
__E07DHF__	7/14	0.236	6.00	0.367	9.32	0.586	14.89	0.872	22.15	1.186	30.13	0.380	9.66
__E08DHF__	8/16	0.276	7.00	0.407	10.32	0.626	15.89	0.912	23.15	1.226	31.13	0.420	10.66
__E09DHF__	9/18	0.315	8.00	0.446	11.32	0.665	16.89	0.951	24.15	1.265	32.13	0.459	11.66
__E10DHF__	10/20	0.354	9.00	0.485	12.32	0.704	17.89	0.990	25.15	1.304	33.13	0.498	12.66
__E11DHF__	11/22	0.394	10.00	0.525	13.32	0.744	18.89	1.030	26.15	1.344	34.13	0.538	13.66
__E12DHF__	12/24	0.433	11.00	0.564	14.32	0.783	19.89	1.069	27.15	1.383	35.13	0.577	14.66
__E13DHF__	13/26	0.472	12.00	0.603	15.32	0.822	20.89	1.108	28.15	1.422	36.13	0.617	15.66
__E14DHF__	14/28	0.512	13.00	0.643	16.32	0.862	21.89	1.148	29.15	1.462	37.13	0.656	16.66
__E15DHF__	15/30	0.551	14.00	0.682	17.32	0.901	22.89	1.187	30.15	1.501	38.13	0.695	17.66
__E16DHF__	16/32	0.591	15.00	0.722	18.32	0.941	23.89	1.227	31.15	1.541	39.13	0.735	18.66
__E17DHF__	17/34	0.630	16.00	0.761	19.32	0.980	24.89	1.266	32.15	1.580	40.13	0.774	19.66
__E18DHF__	18/36	0.669	17.00	0.800	20.32	1.019	25.89	1.305	33.15	1.619	41.13	0.813	20.66
__E19DHF__	19/38	0.709	18.00	0.840	21.32	1.059	26.89	1.345	34.15	1.659	42.13	0.853	21.66
__E20DHF__	20/40	0.748	19.00	0.879	22.32	1.098	27.89	1.384	35.15	1.698	43.13	0.892	22.66
__E21DHF__	21/42	0.787	20.00	0.918	23.32	1.137	28.89	1.423	36.15	1.737	44.13	0.931	23.66
__E22DHF__	22/44	0.827	21.00	0.958	24.32	1.177	29.89	1.463	37.15	1.777	45.13	0.971	24.66
__E23DHF__	23/46	0.866	22.00	0.997	25.32	1.216	30.89	1.502	38.15	1.816	46.13	1.010	25.66
__E24DHF__	24/48	0.906	23.00	1.037	26.32	1.256	31.89	1.542	39.15	1.856	47.13	1.050	26.66
__E25DHF__	25/50	0.945	24.00	1.076	27.32	1.295	32.89	1.581	40.15	1.895	48.13	1.089	27.66
__E26DHF__	26/52	0.984	25.00	1.115	28.32	1.334	33.89	1.620	41.15	1.934	49.13	1.128	28.66
__E27DHF__	27/54	1.024	26.00	1.155	29.32	1.374	34.89	1.660	42.15	1.974	50.13	1.168	29.66
__E28DHF__	28/56	1.063	27.00	1.194	30.32	1.413	35.89	1.699	43.15	2.013	51.13	1.207	30.66
__E29DHF__	29/58	1.102	28.00	1.233	31.32	1.452	36.89	1.738	44.15	2.052	52.13	1.246	31.66
__E30DHF__	30/60	1.142	29.00	1.273	32.32	1.492	37.89	1.778	45.15	2.092	53.13	1.286	32.66
__E31DHF__	31/62	1.181	30.00	1.312	33.32	1.531	38.89	1.817	46.15	2.131	54.13	1.325	33.66
__E32DHF__	32/64	1.220	31.00	1.351	34.32	1.570	39.89	1.856	47.15	2.170	55.13	1.365	34.66
__E33DHF__	33/66	1.260	32.00	1.391	35.32	1.610	40.89	1.896	48.15	2.210	56.13	1.404	35.66
__E34DHF__	34/68	1.299	33.00	1.430	36.32	1.649	41.89	1.935	49.15	2.249	57.13	1.443	36.66
__E35DHF__	35/70	1.339	34.00	1.470	37.32	1.689	42.89	1.975	50.15	2.289	58.13	1.483	37.66
__E36DHF__	36/72	1.378	35.00	1.509	38.32	1.728	43.89	2.014	51.15	2.328	59.13	1.522	38.66
__E37DHF__	37/74	1.417	36.00	1.548	39.32	1.767	44.89	2.053	52.15	2.367	60.13	1.561	39.66
__E38DHF__	38/76	1.457	37.00	1.588	40.32	1.807	45.89	2.093	53.15	2.407	61.13	1.601	40.66
__E39DHF__	39/78	1.496	38.00	1.627	41.32	1.846	46.89	2.132	54.15	2.446	62.13	1.640	41.66
__E40DHF__	40/80	1.535	39.00	1.666	42.32	1.885	47.89	2.171	55.15	2.485	63.13	1.680	42.66
__E41DHF__	41/82	1.575	40.00	1.706	43.32	1.925	48.89	2.211	56.15	2.525	64.13	1.719	43.66
__E42DHF__	42/84	1.614	41.00	1.745	44.32	1.964	49.89	2.250	57.15	2.564	65.13	1.758	44.66
__E43DHF__	43/86	1.654	42.00	1.785	45.32	2.004	50.89	2.290	58.15	2.604	66.13	1.798	45.66
__E44DHF__	44/88	1.693	43.00	1.824	46.32	2.043	51.89	2.329	59.15	2.643	67.13	1.837	46.66
__E45DHF__	45/90	1.732	44.00	1.863	47.32	2.082	52.89	2.368	60.15	2.682	68.13	1.876	47.66
__E46DHF__	46/92	1.772	45.00	1.903	48.32	2.122	53.89	2.408	61.15	2.722	69.13	1.916	48.66
__E47DHF__	47/94	1.811	46.00	1.942	49.32	2.161	54.89	2.447	62.15	2.761	70.13	1.955	49.66
__E48DHF__	48/96	1.850	47.00	1.981	50.32	2.200	55.89	2.486	63.15	2.800	71.13	1.994	50.66
__E49DHF__	49/98	1.890	48.00	2.021	51.32	2.240	56.89	2.526	64.15	2.840	72.13	2.034	51.66
__E50DHF__	50/100	1.929	49.00	2.060	52.32	2.279	57.89	2.565	65.15	2.879	73.13	2.073	52.66



# CUSTOMER COPY



RoHS COMPLIANT

UNLESS OTHERWISE SPECIFIED:  
DIMENSIONS ARE IN MM (INCHES)

TOLERANCES:

ANGULAR: ± 1°

DECIMALS

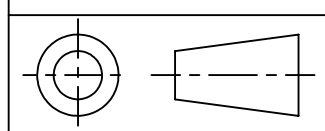
.X= ±0.5 [.02]

.XX= ±0.13 [.005]

.XXX= ±0.013 [.0005]

DRAWN	DATE	NAME
	12/19/2005	HT

THE INFORMATION HEREIN CONTAINS  
PROPRIETARY INFORMATION OF  
SULLINS ELECTRONICS AND IS NOT  
TO BE REPRODUCED, USED OR  
DISCLOSED TO OTHERS FOR ANY  
PURPOSE EXCEPT AS SPECIFICALLY  
AUTHORIZED IN WRITING BY AN  
OFFICER OF SULLINS ELECTRONICS.



TITLE  
**EDGE CARD, 1mm CC HP**

PART NUMBER  
**\_\_ E \_\_ DHF \_\_**

SIZE	CAGE CODE	DWG. NO.	REV
<b>C</b>	<b>54453</b>	<b>C10646</b>	<b>J</b>

SCALE: 3:1 SHEET 3 OF 3