

THIS DRAWING IS UNPUBLISHED. RELEASED FOR PUBLICATION
 © COPYRIGHT BY TYCO ELECTRONICS CORPORATION. ALL RIGHTS RESERVED.

LOC	DIST	REVISIONS					
AD	47	P	LTR	DESCRIPTION	DATE	DWN	APVD
		0		RELEASED PER 0512-0101-05	05APR05	JDP	RAP

NO BREAKOUT PERMITTED

- 1 MATERIAL: ZINC ALLOY DIE CASTING, ZAMAK 3.
- 2 SURFACE FINISH: CHROMATE CONVERSION COATING. (ROHS COMPATIBLE).

0.50 R MAX PERMITTED ON ALL EXTERNAL CORNERS EXCEPT WHERE SHOWN

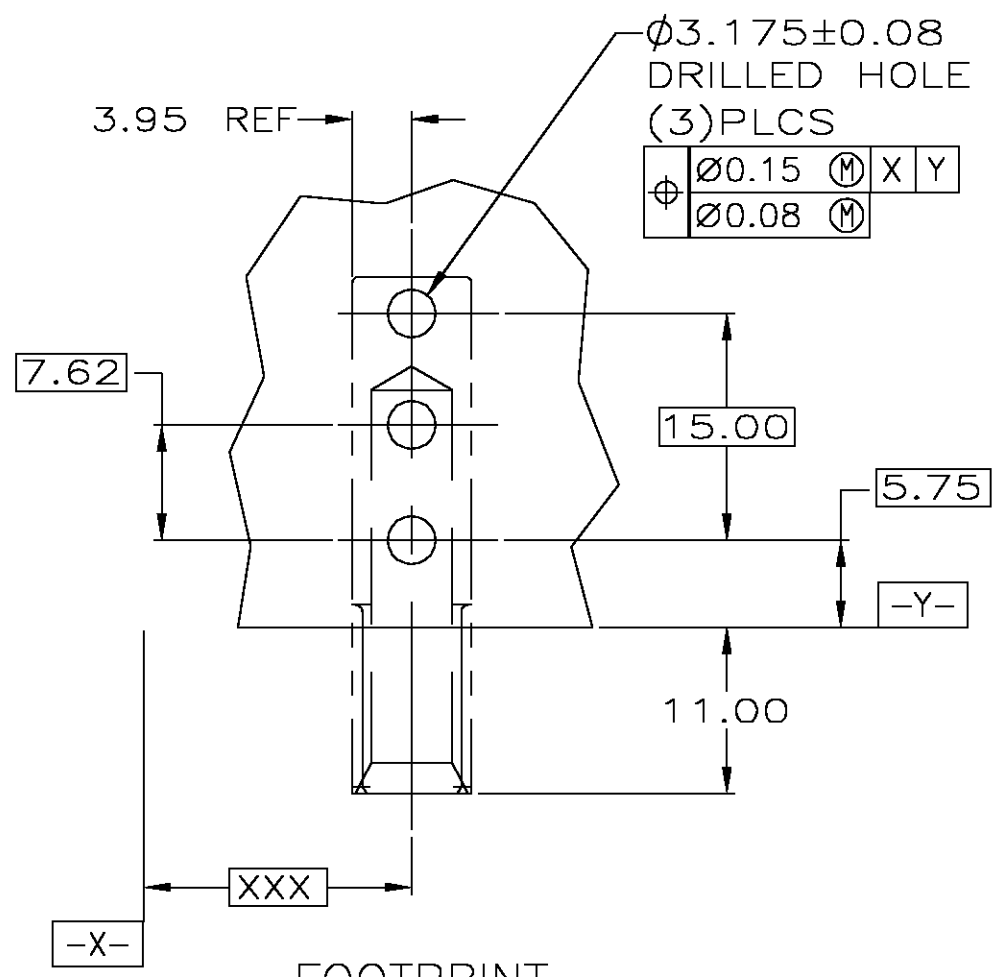
Ø7.40 ±0.08
 ⊕Ø0.10 (M) D (M)

Ø5.40 ±0.08
 ⊕Ø0.10 (M) C A B (S)
 -D-

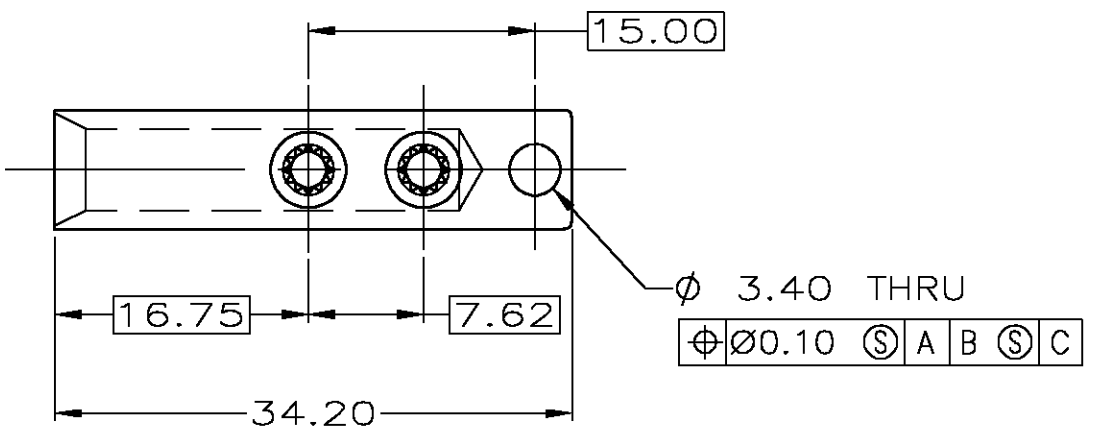
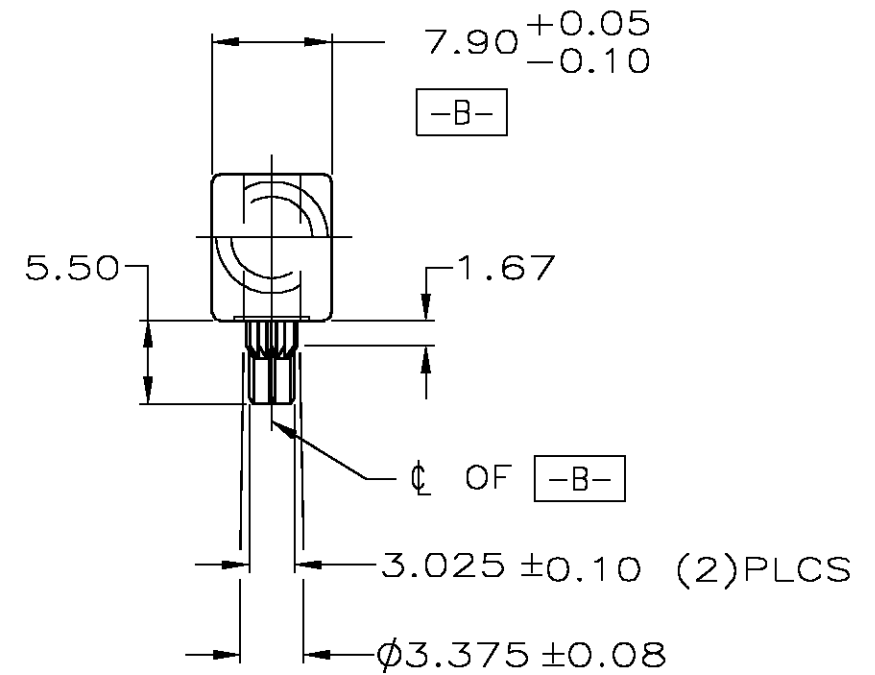
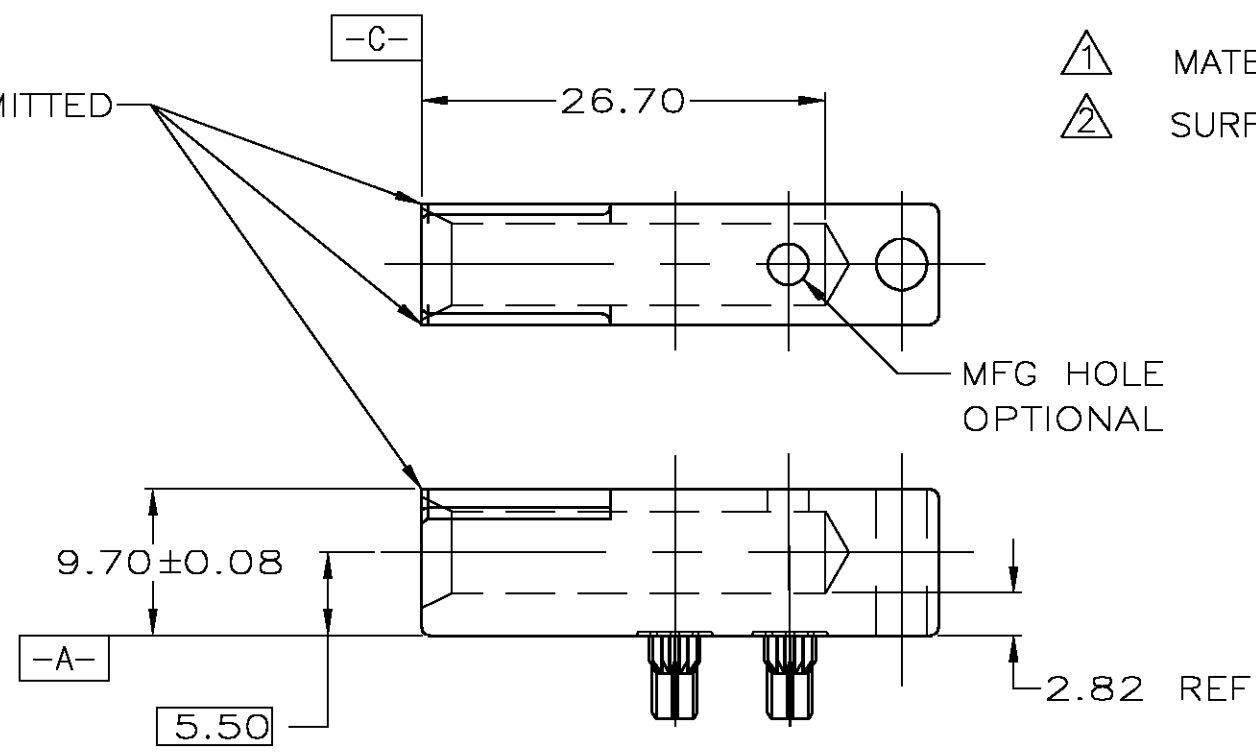
Ø3.175 ±0.08 DRILLED HOLE (3) PLCS
 ⊕Ø0.15 (M) X Y
 ⊕Ø0.08 (M)

Ø 3.40 THRU
 ⊕Ø0.10 (S) A B (S) C

⊕Ø0.10 (S) A B (S) C



FOOTPRINT



5223973-1
 PART NUMBER

THIS DRAWING IS A CONTROLLED DOCUMENT.		DWN J. POLIGNONE 05APR05	Tyco Electronics Corporation Harrisburg, Pa 17105-3608	
DIMENSIONS: mm		CHK R. PATTERSON 05APR05		
TOLERANCES UNLESS OTHERWISE SPECIFIED:		APVD R. PATTERSON 05APR05	NAME	
0 PLC ± - 1 PLC ± - 2 PLC ± 0.13 3 PLC ± - 4 PLC ± - ANGLES ± -		PRODUCT SPEC	MODULE, FEMALE GUIDE, FEMALE GUIDE, UNIVERSAL POWER MODULE	
MATERIAL		APPLICATION SPEC	SIZE	RESTRICTED TO
FINISH		WEIGHT	CAGE CODE	DRAWING NO
1		A3 00779		C=5223973
2		CUSTOMER DRAWING		SCALE 2:1 SHEET 1 OF 1 REV 0