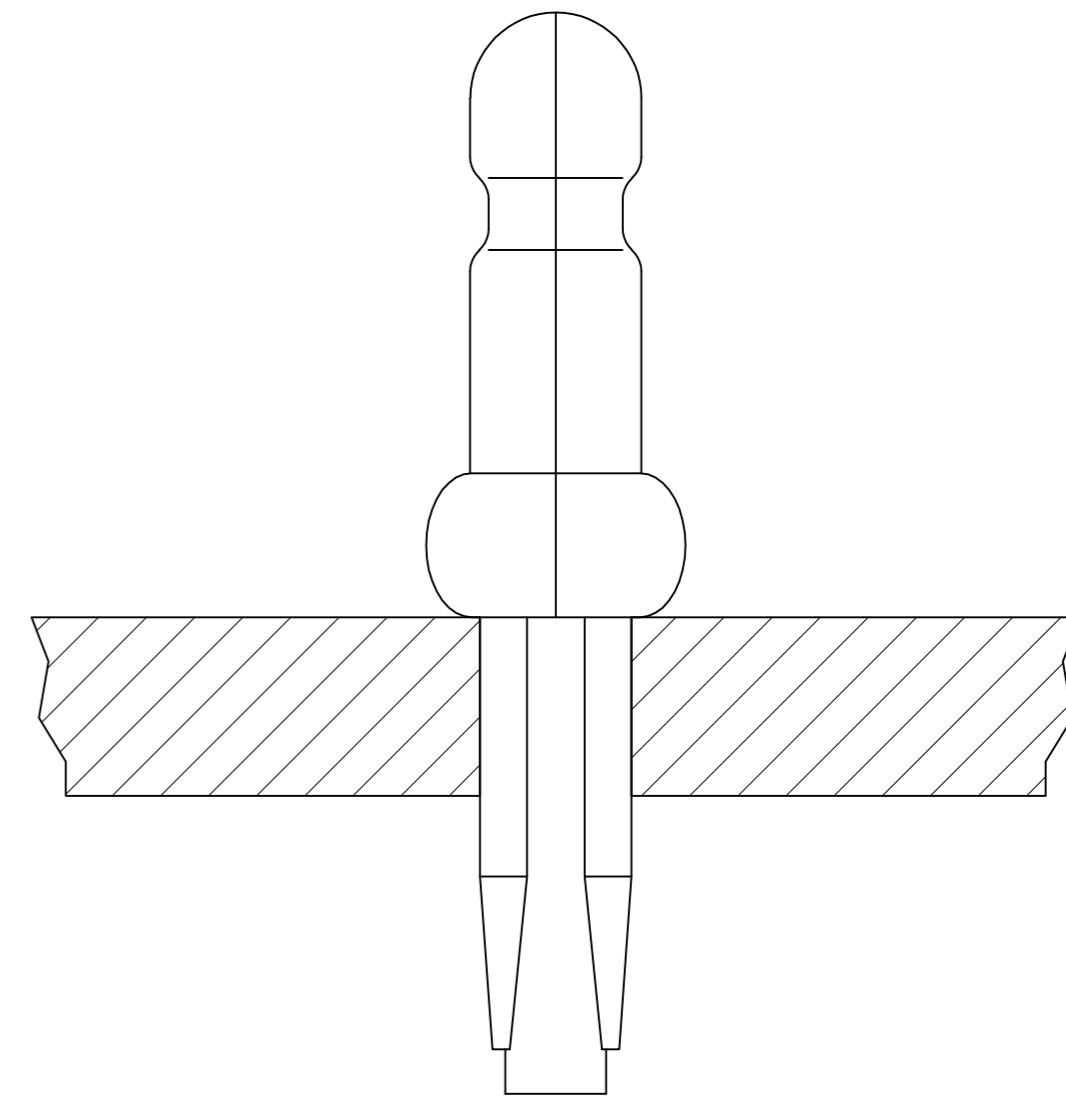
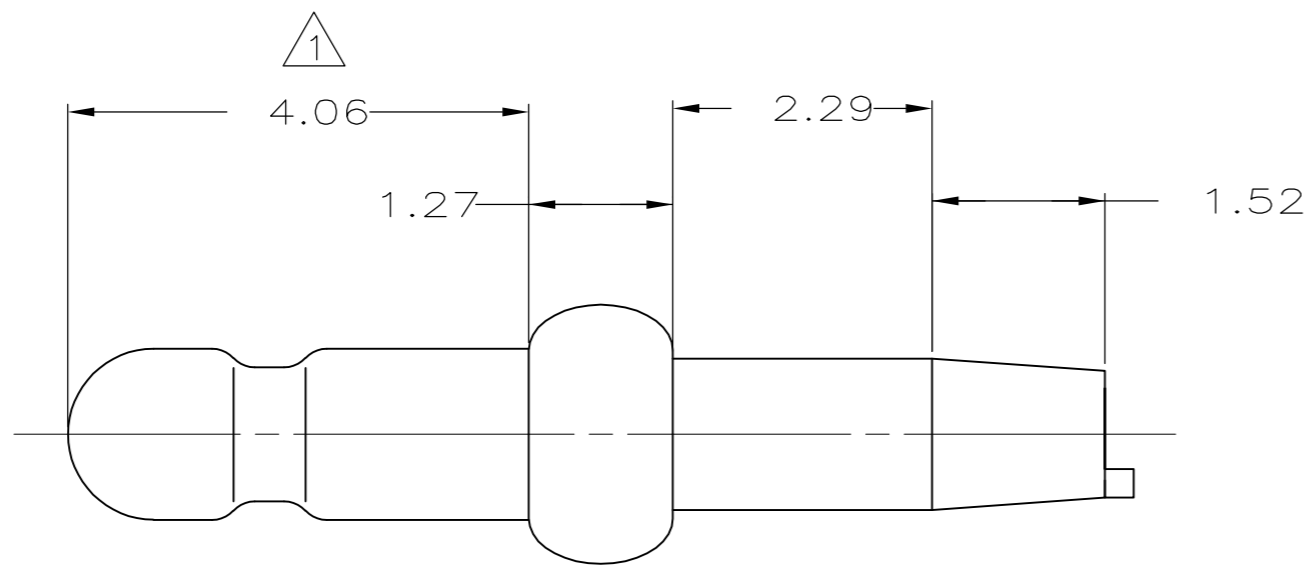
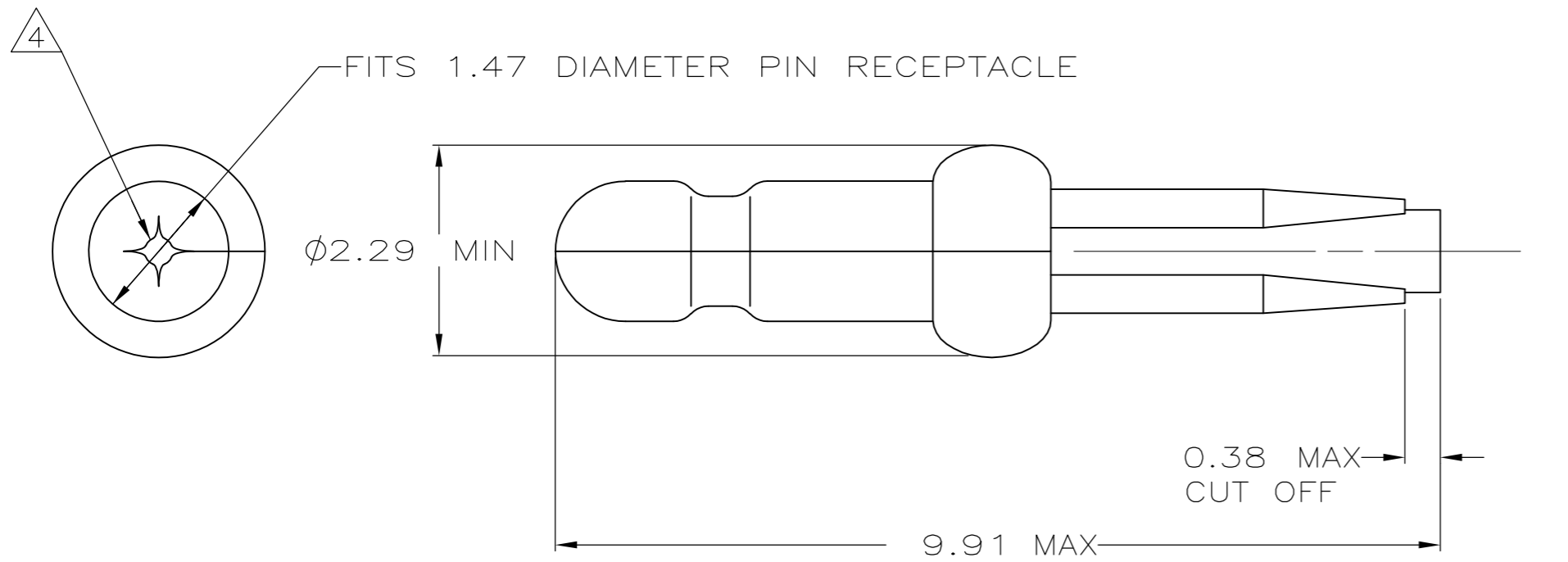


THIS DRAWING IS UNPUBLISHED. RELEASED FOR PUBLICATION
 © COPYRIGHT - By - ALL RIGHTS RESERVED.

| LOC | | DIST | | REVISIONS | | | |
|-----|-----|-------------|--|---------------------------|---------|--------|--|
| P | LTR | DESCRIPTION | | DATE | DWN | APVD | |
| CM | 0 | AJ2 | | REVISED PER ECO-11-004917 | 11MAR11 | RK HMR | |

- ① 0.00076 MIN GOLD PLATING IN THIS AREA WITH 0.00381 MIN MATTE TIN LEAD ON THE REMAINDER, BOTH OVER 0.00127 MIN NICKEL UNDERPLATE.
- 2. FITS 1.17 - 1.27 DIAMETER HOLE IN A 1.57 OR 2.36 PRINTED CIRCUIT BOARD.
- 3. PARTS TO COMPLY WITH AMP SOLDERABILITY SPECIFICATION 109-11-3.
- ④ 0.05 - 0.25 DIAMETER OPENING REQUIRED IN TIP OF PIN.
- 5. APPLICATOR FEED: 8.00 - 8.26
- ⑥ 0.00076 MIN GOLD PLATING IN THIS AREA WITH 0.00381 MIN MATTE TIN ON THE REMAINDER, BOTH OVER 0.00127 MIN NICKEL UNDERPLATE.



| | |
|---------|-------------|
| ⑥ | 3-60803-1 |
| PRE TIN | 60803-2 |
| ① | 60803-1 |
| FINISH | PART NUMBER |

| | | | | | | | |
|---------|---------|------|------|------|------|------|------|
| 0.13 | .005 | 1.27 | .050 | 2.36 | .093 | - | - |
| 0.05 | .002 | 1.17 | .046 | 2.29 | .090 | 9.91 | .390 |
| 0.00381 | .000150 | 1.12 | .044 | 1.57 | .062 | 8.26 | .325 |
| 0.00127 | .000050 | 0.38 | .015 | 1.52 | .060 | 8.00 | .315 |
| 0.00076 | .000030 | 0.25 | .010 | 1.47 | .058 | 4.06 | .160 |
| MM | IN | MM | IN | MM | IN | MM | IN |

CONVERSION TABLE



| | | | | | | |
|--|--|------------------|------------|---------|---------------------|----------|
| THIS DRAWING IS A CONTROLLED DOCUMENT. | | DWN | T. BECK | 7-28-97 | TE Connectivity | |
| DIMENSIONS: mm | | CHK | R. SWING | 7-28-97 | | |
| TOLERANCES UNLESS OTHERWISE SPECIFIED: | | APVD | A. BEDDICK | 9-10-97 | | |
| 0 PLC ± - 1 PLC ± - 2 PLC ± 0.13 3 PLC ± - 4 PLC ± - ANGLES ± - | | PRODUCT SPEC | 108-1025 | | | |
| MATERIAL: 0.25 PH BRZ | | FINISH | SEE TABLE | | APPLICATION SPEC | 114-1008 |
| | | WEIGHT | - | | SIZE | A2 |
| | | CUSTOMER DRAWING | | | CAGE CODE | 00779 |
| | | SCALE | 15:1 | | DRAWING NO | C=60803 |
| | | SHEET | 1 of 1 | | RESTRICTED TO | - |
| | | REV | AJ2 | | | |