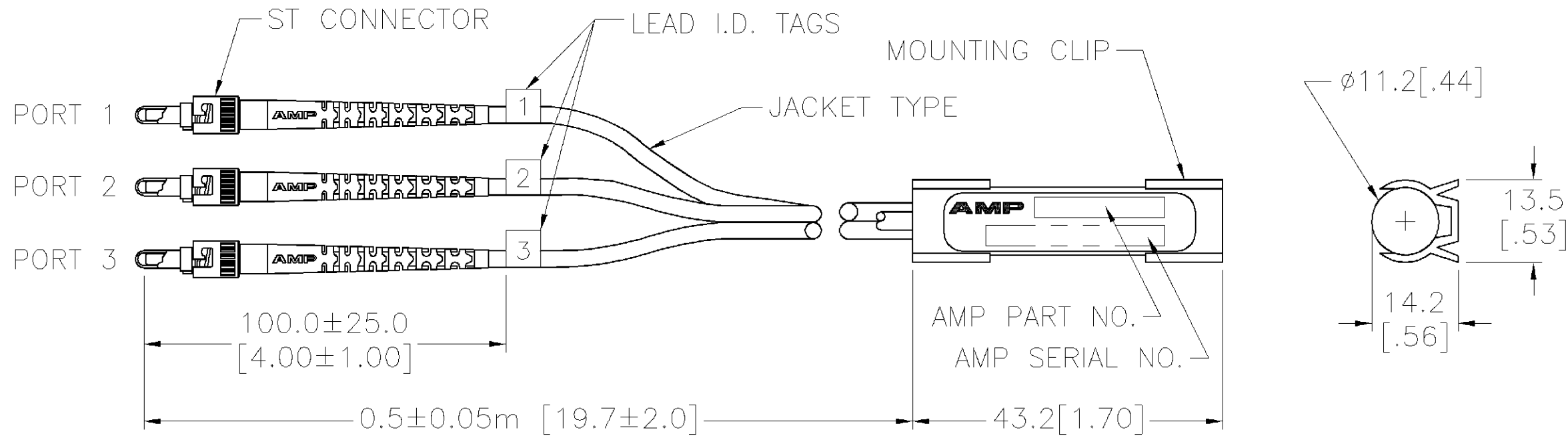


THIS DRAWING IS UNPUBLISHED. RELEASED FOR PUBLICATION
 © COPYRIGHT BY TYCO ELECTRONICS CORPORATION. ALL RIGHTS RESERVED.

LOC	DIST	REVISIONS					
EA	17	P	LTR	DESCRIPTION	DATE	DWN	APVD
		G		REVISE PER ECN 0A10-0222-01	06NOV01	SU	JM



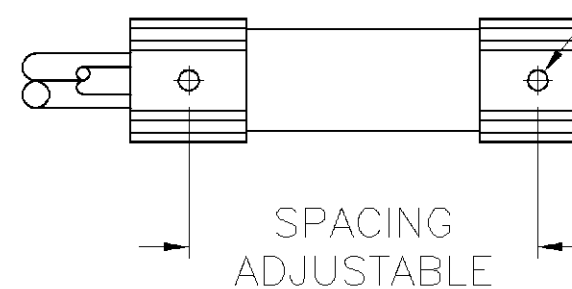
SPECIFICATIONS:

UNCONNECTORIZED *
 INSERTION LOSS
 (PER FOTP-34, METHOD A):
 MUX 1.2dB MAX 0.9dB TYP.
 DEMUX 1.3dB MAX 0.9dB TYP.

* FOR ADDITIVE CONNECTOR
 LOSSES REFER TO AMP
 SPECIFICATION 115-56050.

DIRECTIVITY:
 TYPICAL: >55dB
 MINIMUM: >45dB
 WAVELENGTH BANDPASS (nm):
 TYPICAL: 120nm
 MINIMUM: 100nm
 RETURN LOSS (REFLECTANCE):
 MUX - MINIMUM: 35dB
 DEMUX -
 PORT 1 ≤-13dB
 PORT 2 ≤-15dB
 PORT 3 ≤-35dB

WITHOUT CONNECTORS
 ISOLATION:
 MUX & DEMUX 35dB MIN (TYP. 42dB)
 OPERATING TEMPERATURE: -40°C TO +65°C
 STORAGE TEMPERATURE: -40°C TO +75°C



MOUNTING HOLE
 Ø3.18[.125] THRU
 FOR M3[#4] SCREWS
 2 PLC

PART NUMBER	FIBER TYPE	JACKET TYPE
99102-2	50/125/250	3mm
99102-3	62.5/125/250	3mm
9-99102-2	50/125/250	900µm
9-99102-3	62.5/125/250	900µm

THIS DRAWING IS A CONTROLLED DOCUMENT.		DWN D. HEINZ 14DEC96	Tyco Electronics Corporation Harrisburg, PA 17057	
DIMENSIONS: MM [INCHES]		CHK A. McCLISH 15DEC96		
TOLERANCES UNLESS OTHERWISE SPECIFIED:		APVD A. McCLISH 15DEC96	NAME WDM, MUX OR DEMUX 850/1310nm	
0 PLC ± - 1 PLC ± 1.0 [.04] 2 PLC ± 0.38 [.015] 3 PLC ± - 4 PLC ± - ANGLES ± 2'		PRODUCT SPEC -	RESTRICTED TO -	
MATERIAL -		FINISH -	APPLICATION SPEC -	SIZE A3
		WEIGHT -	CAGE CODE 00779	DRAWING NO C-99102
		CUSTOMER DRAWING		SCALE NTS
				SHEET 1 OF 1
				REV G