

LOC	DIST	REV	DATE	BY	APPV
J	REV PER ECO	15-006633	5-7-15	CT	DM

- ⚠ MARKED WITH .047 [1.19] HIGH CHARACTERS. FAR SIDE REFERS TO WIDE SIDE OF KEYSTONE, NEAR SIDE REFERS TO NARROW SIDE OF KEYSTONE.
- ⚠ RUBBER GROMMET APPLIES ONLY FOR 1218234-6 THRU 1-1218234-0 AND 2-1218234-6 THRU 3-1218234-0.
- 3. BERYLLIUM COPPER RETENTION CLIPS ARE INCLUDED IN INSERTS.
- 4. CONTACTS NOT SUPPLIED, MUST BE ORDERED SEPARTELY. WILL ACCOMMODATE A SIZE 20 PIN CONTACT PER MIL-C-39029/64-369 OR NASA G-10-P1. CONTACT TE ENGINEERING FOR ANY OTHER CONTACT STYLES.
- 5. THIS PLUG WILL MATE WITH ANY RECEPTACLE CONNECTOR WITH THE SAME INSERT ARRANGEMENT.
- 6. MAXIMUM WIRE INSULATION USED WITH THIS CONNECTOR IS .072 [1.83] DIAMETER WITH GROMMET, .084 [2.13] WITHOUT GROMMET.
- 7. UNLESS OTHERWISE STATED THIS ASSEMBLY CONFORMS TO MIL-PRF-24308.
- ⚠ ELECTROLESS NICKEL UNDERPLATE DOES NOT CONTAIN INTENTIONAL ADDITIONS OF LEAD AND CADMIUM PER DFE STANDARD 230-700.
- ⚠ SPECIAL TESTING PER RAYTHEON R10006242 SPECIFICATION.

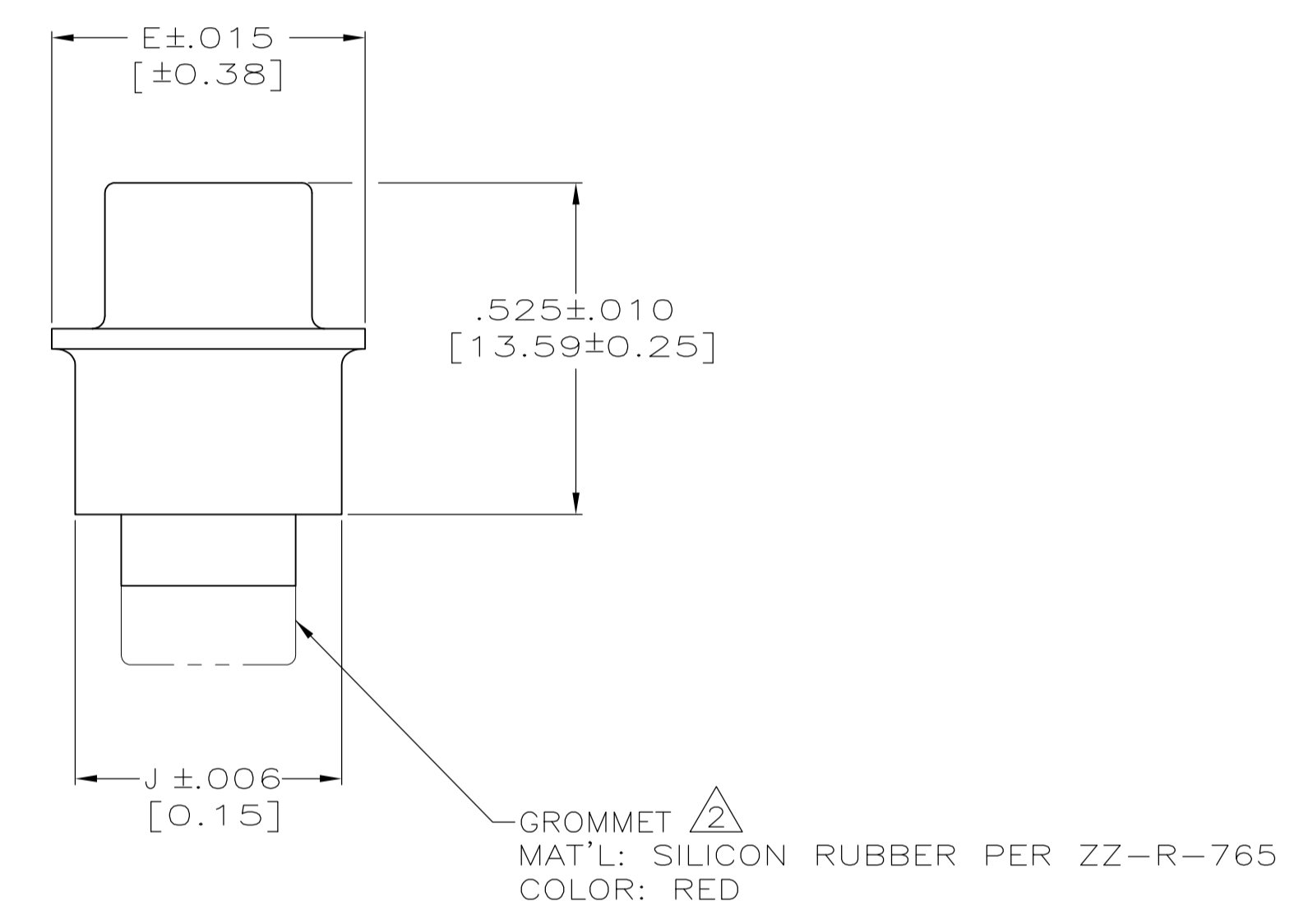
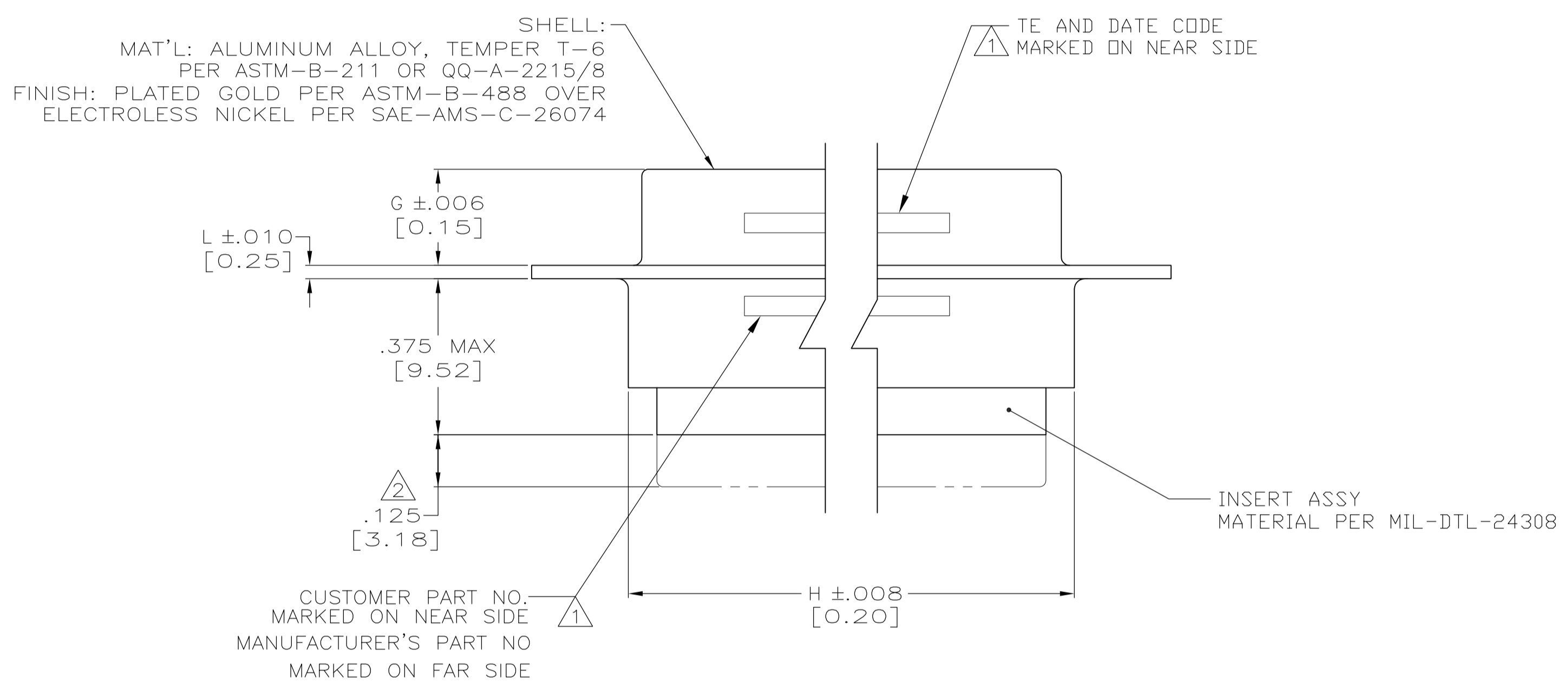
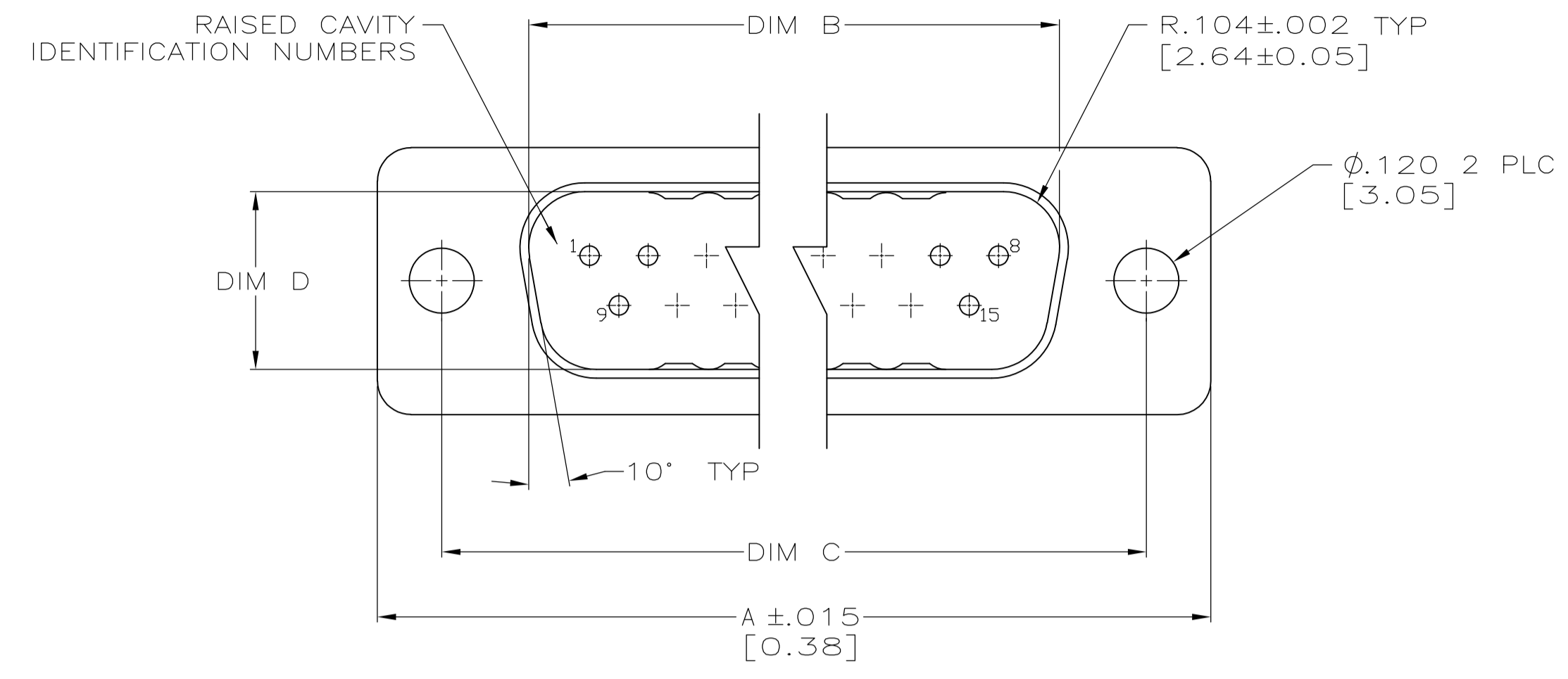
CUSTOMER PART NO.	L	J	H	G	E	D	C	B	A	REMARKS	NO OF POSN.	SHELL SIZE	PART NUMBER
R10006242-0034	.039 [0.99]	.550 [13.97]	2.189 [55.60]	.230 [5.84]	.605 [15.38]	.441 [11.20]	2.406 [61.11]	2.079 [52.81]	2.635 [66.93]	⚠	50	5	3-1218234-0
R10006242-0033	.039 [0.99]	.438 [11.13]	2.284 [58.01]	.230 [5.84]	.494 [12.55]	.329 [8.36]	2.500 [63.50]	2.182 [55.42]	2.729 [69.32]	⚠	37	4	2-1218234-9
R10006242-0032	.039 [0.99]	.438 [11.13]	1.636 [41.55]	.230 [5.84]	.494 [12.55]	.329 [8.36]	1.852 [47.04]	1.534 [38.96]	2.088 [53.04]	⚠	25	3	2-1218234-8
R10006242-0031	.030 [0.76]	.438 [11.13]	1.094 [27.79]	.235 [5.97]	.494 [12.55]	.329 [8.36]	1.312 [33.32]	.994 [25.25]	1.541 [39.14]	⚠	15	2	2-1218234-7
R10006242-0030	.030 [0.76]	.438 [11.13]	.770 [19.56]	.235 [5.97]	.494 [12.55]	.329 [8.36]	.984 [24.99]	.666 [16.92]	1.213 [30.81]	⚠	9	1	2-1218234-6
R10006242-0029	.039 [0.99]	.550 [13.97]	2.189 [55.60]	.230 [5.84]	.605 [15.38]	.441 [11.20]	2.406 [61.11]	2.079 [52.81]	2.635 [66.93]	⚠	50	5	2-1218234-5
R10006242-0028	.039 [0.99]	.438 [11.13]	2.284 [58.01]	.230 [5.84]	.494 [12.55]	.329 [8.36]	2.500 [63.50]	2.182 [55.42]	2.729 [69.32]	⚠	37	4	2-1218234-4
R10006242-0027	.039 [0.99]	.438 [11.13]	1.636 [41.55]	.230 [5.84]	.494 [12.55]	.329 [8.36]	1.852 [47.04]	1.534 [38.96]	2.088 [53.04]	⚠	25	3	2-1218234-3
R10006242-0026	.030 [0.76]	.438 [11.13]	1.094 [27.79]	.235 [5.97]	.494 [12.55]	.329 [8.36]	1.312 [33.32]	.994 [25.25]	1.541 [39.14]	⚠	15	2	2-1218234-2
R10006242-0025	.030 [0.76]	.438 [11.13]	.770 [19.56]	.235 [5.97]	.494 [12.55]	.329 [8.36]	.984 [24.99]	.666 [16.92]	1.213 [30.81]	⚠	9	1	2-1218234-1
OBSOLETE ---	.039 [0.99]	.550 [13.97]	2.189 [55.60]	.230 [5.84]	.605 [15.38]	.441 [11.20]	2.406 [61.11]	2.079 [52.81]	2.635 [66.93]	⚠	50	5	5-1218234-5
OBSOLETE ---	.039 [0.99]	.550 [13.97]	2.189 [55.60]	.230 [5.84]	.605 [15.38]	.441 [11.20]	2.406 [61.11]	2.079 [52.81]	2.635 [66.93]	⚠	50	5	1-1218234-0
OBSOLETE ---	.039 [0.99]	.438 [11.13]	2.284 [58.01]	.230 [5.84]	.494 [12.55]	.329 [8.36]	2.500 [63.50]	2.182 [55.42]	2.729 [69.32]	⚠	37	4	1218234-9
OBSOLETE ---	.039 [0.99]	.438 [11.13]	1.636 [41.55]	.230 [5.84]	.494 [12.55]	.329 [8.36]	1.852 [47.04]	1.534 [38.96]	2.088 [53.04]	⚠	25	3	1218234-8
OBSOLETE ---	.030 [0.76]	.438 [11.13]	1.094 [27.79]	.235 [5.97]	.494 [12.55]	.329 [8.36]	1.312 [33.32]	.994 [25.25]	1.541 [39.14]	⚠	15	2	1218234-7
OBSOLETE ---	.030 [0.76]	.438 [11.13]	.770 [19.56]	.235 [5.97]	.494 [12.55]	.329 [8.36]	.984 [24.99]	.666 [16.92]	1.213 [30.81]	⚠	9	1	1218234-6
OBSOLETE ---	.039 [0.99]	.550 [13.97]	2.189 [55.60]	.230 [5.84]	.605 [15.38]	.441 [11.20]	2.406 [61.11]	2.079 [52.81]	2.635 [66.93]	-	50	5	1218234-5
OBSOLETE ---	.039 [0.99]	.438 [11.13]	2.284 [58.01]	.230 [5.84]	.494 [12.55]	.329 [8.36]	2.500 [63.50]	2.182 [55.42]	2.729 [69.32]	-	37	4	1218234-4
OBSOLETE ---	.039 [0.99]	.438 [11.13]	1.636 [41.55]	.230 [5.84]	.494 [12.55]	.329 [8.36]	1.852 [47.04]	1.534 [38.96]	2.088 [53.04]	-	25	3	1218234-3
OBSOLETE ---	.030 [0.76]	.438 [11.13]	1.094 [27.79]	.235 [5.97]	.494 [12.55]	.329 [8.36]	1.312 [33.32]	.994 [25.25]	1.541 [39.14]	-	15	2	1218234-2
OBSOLETE ---	.030 [0.76]	.438 [11.13]	.770 [19.56]	.235 [5.97]	.494 [12.55]	.329 [8.36]	.984 [24.99]	.666 [16.92]	1.213 [30.81]	-	9	1	1218234-1

THIS DRAWING IS A CONTROLLED DOCUMENT. DIMENSIONS: INCHES [mm]. TOLERANCES UNLESS OTHERWISE SPECIFIED: 0 PLC ± .005(0.13), 1 PLC ± .005(0.13), 2 PLC ± .005(0.13), 3 PLC ± .005(0.13), 4 PLC ± .005(0.13), ANGLES ± .005(0.13). MATERIAL: -. FINISH: -. WEIGHT: -. SCALE: 4:1. SHEET 1 OF 2. REV J.

DIN C.C. THOMAS 7-27-05
 CHK: D. MILLER 7-27-05
 APVD: D. MILLER 7-27-05
 NAME: PLUG ASSEMBLY, AMPLIMITE ULTRA-LITE, SERIES 109, SIZE 1 THRU 5 (ONE PIECE ALUMINUM SHELL)
 SIZE: A1. CASE CODE: 00779. DRAWING NO: 1218234. RESTRICTED TO: CUSTOMER DRAWING.

STE TE Connectivity

LOC		DIST		REVISIONS			
P	LYR	DESCRIPTION	DATE	DNW	APVD		
-	-	SEE SHEET #1	-	-	-	CD	



THIS DRAWING IS A CONTROLLED DOCUMENT.		DIN C.C.THOMAS 7-27-05	TE Connectivity	
DIMENSIONS: INCHES [mm]		CHK D.MILLER 7-27-05		
TOLERANCES UNLESS OTHERWISE SPECIFIED:		APP'D D.MILLER 7-27-05	NAME PLUG ASSEMBLY, AMPLIMITE ULTRA-LITE, SERIES 109, SIZE 1 THRU 5 (ONE PIECE ALUMINUM SHELL)	
0 PLC ± -	1 PLC ± -	PRODUCT SPEC	SIZE A1	
2 PLC ± -	3 PLC ± .005(0.13)	APPLICATION SPEC	CAGE CODE 00779	
4 PLC ± -	ANGLES ± -	WEIGHT	DRAWING NO. 1218234	
MATERIAL	FINISH	CUSTOMER DRAWING	SCALE 4:1	SHEET 2 OF 2
			REV J	