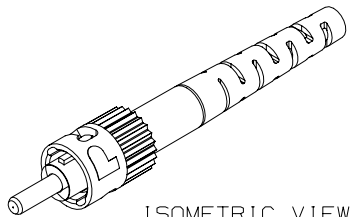


THIS COPY IS PROVIDED ON A RESTRICTED BASIS AND IS NOT TO BE USED IN ANY WAY DETRIMENTAL TO THE INTERESTS OF PANDUIT CORP.

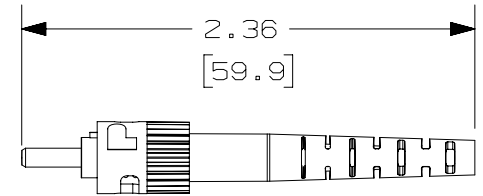
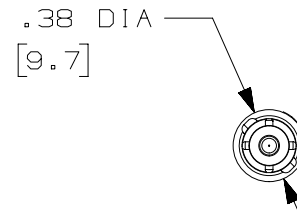
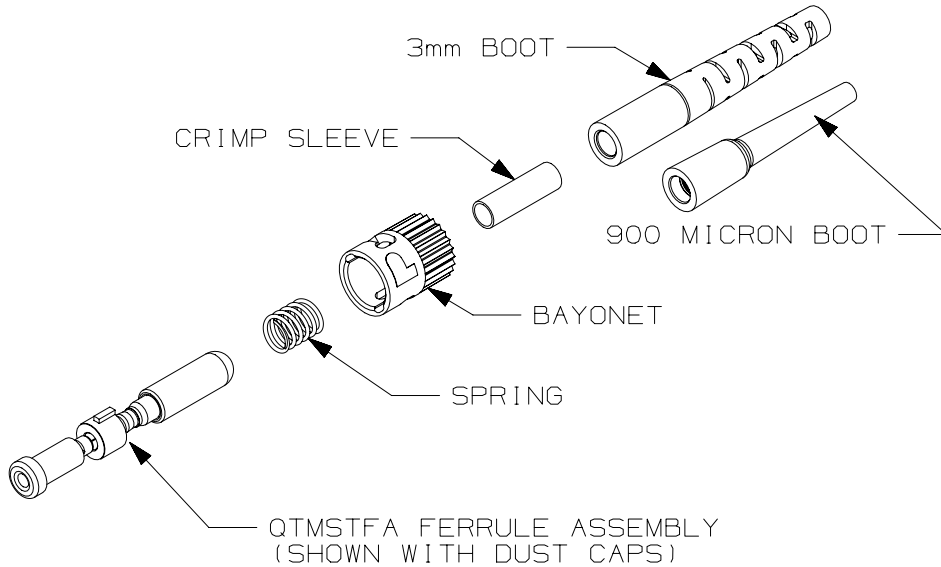


ISOMETRIC VIEW
(SHOWN W/O DUST CAP)

PANDUIT P/N	FIBER SIZE (MICRONS)	WEIGHT
FSTMM**	62.5	.064 LB/10 PCS (29.0 g/10 PCS)
FSTMM50**	50	.064 LB/10 PCS (29.0 g/10 PCS)

NOTES:

- SEE CURRENT CATALOG FOR ADDITIONAL PART NUMBER SUFFIXES TO INDICATE COLOR AND OR PACKAGE QUANTITY.
- SEE CATALOG FOR COMPLETE LIST OF PARTS APPLICABLE FOR USE WITH THIS PART.
- DIMENSIONS IN [] ARE IN METRIC.
- MATERIAL:
 - BOOTS: PLASTIC
 - CRIMP SLEEVE: BRASS
 - FERRULE: CERAMIC
 - BAYONET: POLYETHERIMIDE
 - SPRING: ZINC PLATED MUSIC WIRE



FRONT AND SIDE VIEWS
(SHOWN W/O DUST CAP)

PART NUMBER		FSTMM** , FSTMM50**	
TITLE			
ST MULTIMODE PRE-POLISHED CRIMP OPTICAL FIBER CONNECTOR			
CUSTOMER DRAWING			
ITEM REVISION NAME		M00960AA/01	
DATASET FILE NAME		M00960AA_DC/01C	
UNLESS OTHERWISE SPECIFIED, DIMENSIONAL TOLERANCES ARE: IN [mm]		MATERIAL:	
.X ±		.XXX ±	
.XX ±		ANGLES ±	
DRAWING NUMBER:		SEE NOTES	
DRAWING NUMBER:		00960-12	
THIRD ANGLE PROJECTION	DRAWN BY: MC		
	DATE: 01-03-01	CHK: JAWI	SCALE: NONE
	SHT 1 OF 1		SIZE: A

REV	DATE	BY	CHK	APR	DESCRIPTION	ECN
2	6/4/15	JSP	WJM	JGSW	A. REVISED DRAWING TITLE BLOCK.	00960-012

D101000DA/14