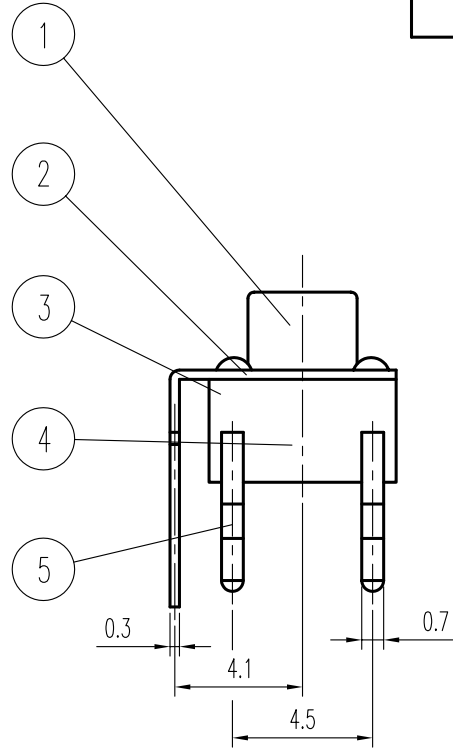
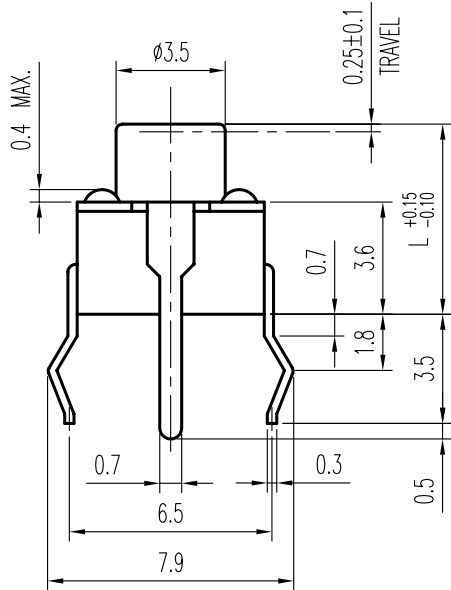


(K)

FORCE (gf)		KNOB COLOUR
H	100 ±30	WHITE
0	130 ±30	GREY
1	160 ±30	BLACK

L	
A	4.3
B	5
C	7
D	9.5
E	8



1P - 1T

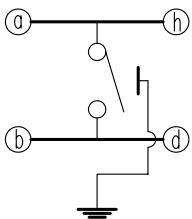
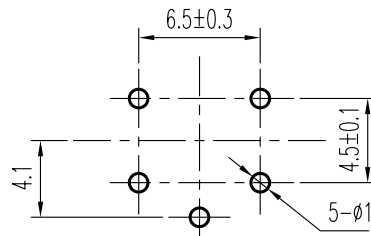


示意图 SCHEMATIC



安装孔 PIERCING PLAN

(K)

(K) 规格 Specifications

额定负荷 Ratings	DC 12 v 50 mA
初期接触电阻 Initial Contact Resistance	100mΩ Max.
绝缘电阻 Insulation Resistance	DC 100 V 60 Sec. 100 MΩ Min.
抗电强度 Dielectric	AC 250 V (50~60HZ) 60 Sec.

操作力 Operating Force(gf)	操作力见上表
负荷寿命 Operating Life With Load	100,000 次 Cycles

5	端子	TERMINAL	C2680R	4	Ag PLATED	A01	取消250±50(gf)操作力规格见(K) 修改零件列表见(K) 增加规格栏见(K)	曹文斌	06-04-27
4	弹片	CONTACT PLATE	C5210R	1	Ag CLAD				
3	胶壳	HOUSING	PBT	1	BLACK				
2	盖片	COVER	SPTe	1	NATURAL	03		张德年	27 SEP 03
1	胶柄	KNOB	PBT	1	见上表	标号 REV	内容 DESCRIPTION	签名 SIGN.	日期 DATE
序NO.	零件 PART	材料 MATERIAL	数量 QTY	备注 REMARKS	DWG NO. ITEM1145				

TOLERANCES UNLESS OTHERWISE SPEC.		TITLE	TACT SWITCH		ITEM NO	RS-044R			
UNDER 1	± 0.10	DRAWN	曹文斌	06-04-27	VERSION	A01	PAGE	1	OF 1
1 - 10	± 0.30	REVIEWED	张念明	06-04-28	SCALE		UNIT	mm	
OVER 10	± 0.50	APPROVED	林高全	06-04-28	PROJECTION				

COMAX ELECTRONICS (HUIZHOU) CO.,LTD.