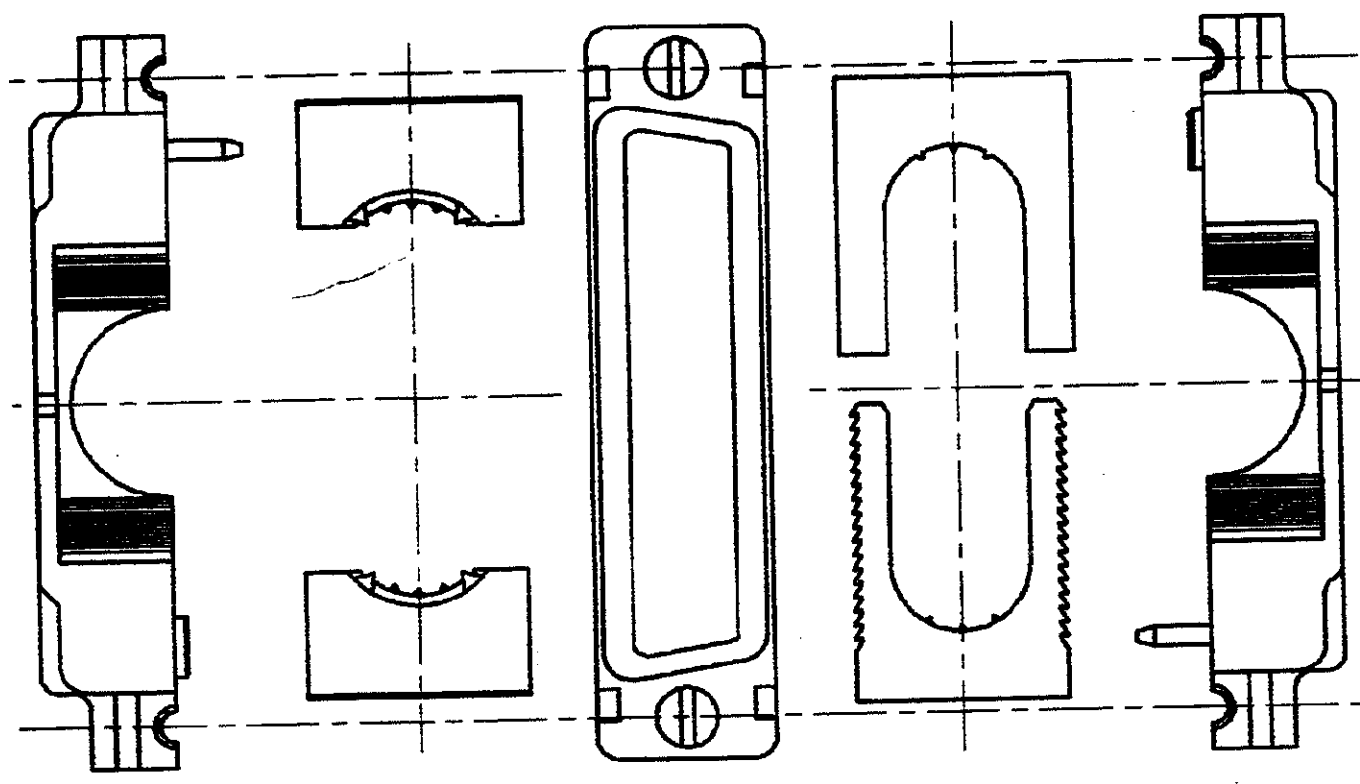


DRAWING MADE IN THIRD ANGLE PROJECTION
 THIS DRAWING IS UNPUBLISHED. RELEASED FOR PUBLICATION .19.
 © COPYRIGHT 19 BY AMP INCORPORATED. ALL INTERNATIONAL RIGHTS RESERVED.

MOD		LOC		DIST		REVISIONS				
NO	REV	NO	REV	NO	REV	ZONE	LTR	DESCRIPTION	DATE	APPD
22		BD		39			A	REDRAWN	7-90	-
							B	REV PER ECN BD4512	12/05/90	-/M



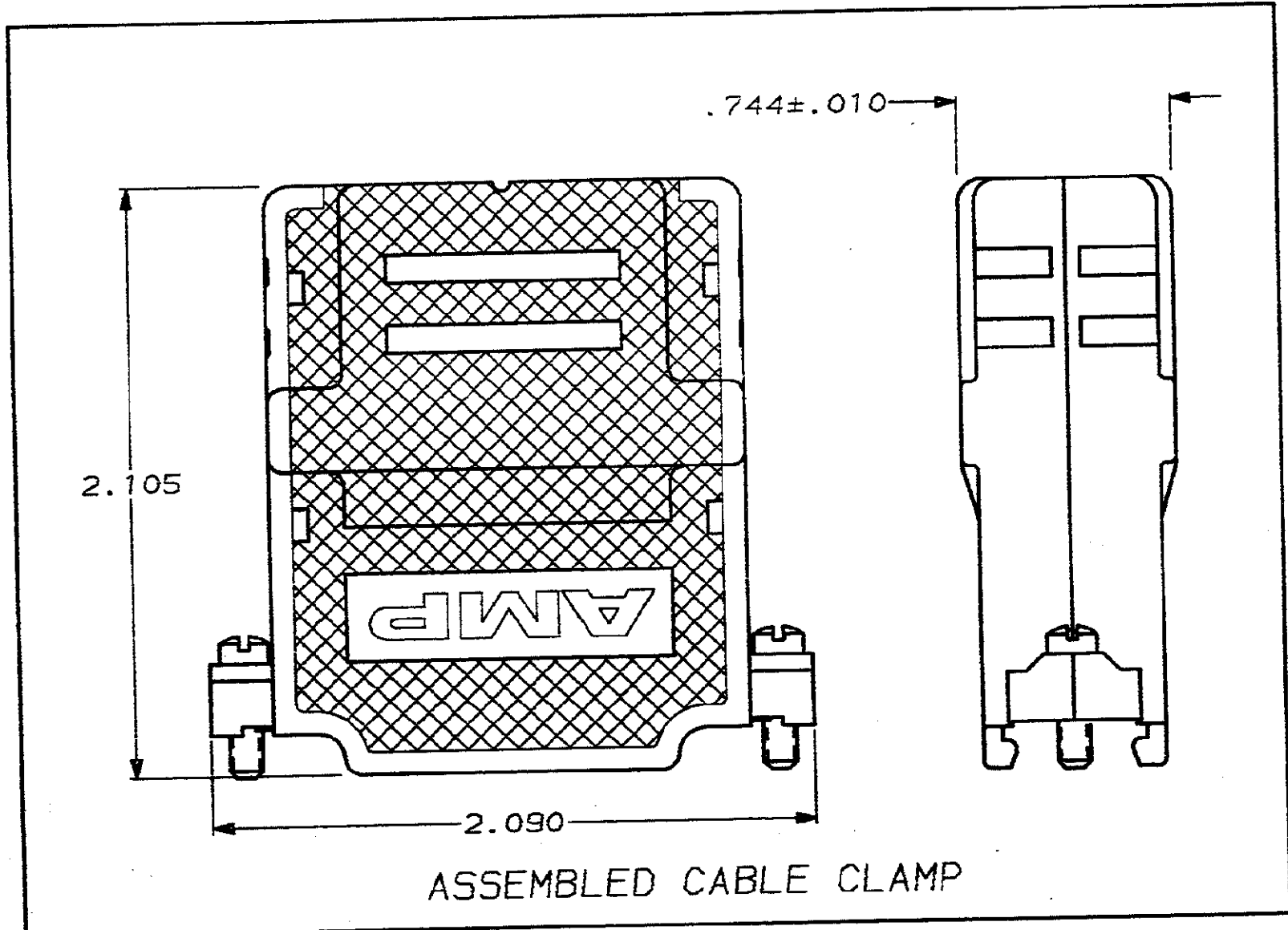
CABLE CLAMP WEDGE SET, QUANTITY: 2,
 ONE SET FOR .190 DIA TO .380 DIA CABLE AND
 ONE SET FOR .380 DIA TO .530 DIA CABLE.

#4-40 MOUNTING SCREW
 QUANTITY: 2

CABLE CLAMP HALF
 QUANTITY: 2

BRAID TERMINATION CLAMP SET
 QUANTITY: 1

25 POSITION AMPLIMITE
 CONNECTOR SHOWN,
 REFERENCE ONLY.



ASSEMBLED CABLE CLAMP

PACKAGING	3	748665-2
	2	748665-1
		PART NUMBER

1. PARTS PACKAGED UNASSEMBLED.
2. PARTS PACKAGED AS A UNIT KIT.
3. PARTS INDIVIDUALLY BULK PACKAGED AND SHIPPED AS A UNIT PACKAGE.
4. ABS MOLDING COMPOUND, BLACK.
5. STEEL PER ASTM A108.
6. PLATED NICKEL OVER COPPER.
7. ZINC PLATED PER ASTM B633, TYPE III, CLASS SCI, CLEAR CHROMATE.

DO NOT SCALE PRINT. UNLESS SPECIFIED DIMENSIONS IN INCHES TOLERANCES ON: 2 PLC DEC ± 3 PLC DEC ± .005 ANGLES ±	DR 7-26-90 J. GALLUCCI BG	AMP INCORPORATED Harrisburg, Pa. 17105	
	CHK 9-10-90 J. McCLINTON		
	APPD 9-10-90 J. WESTMAN	NAME UNIVERSAL CABLE CLAMP KIT, SHIELDED, SIZE 3, 25 POSITION, AMPLIMITE™	
	APPD 9-11-90 J. ASSINI	PRODUCT SPEC	
MATERIAL	FINISH SCREWS: 7	APPLICATION SPEC	SIZE C
MOLDED PARTS: 4	CABLE CLAMP HALVES: 6	WEIGHT -	FSCM NO 00779
SCREWS: 5	BRAID TERMINATION CLAMPS: 6		DRAWING NO 748665
			SCALE 2:1
			SHEET 1 OF 1

CUSTOMER DRAWING