



PART NAME

MICRO-COMPUTER ENCLOSURE

PART No.

PS-11594

REV. DATE

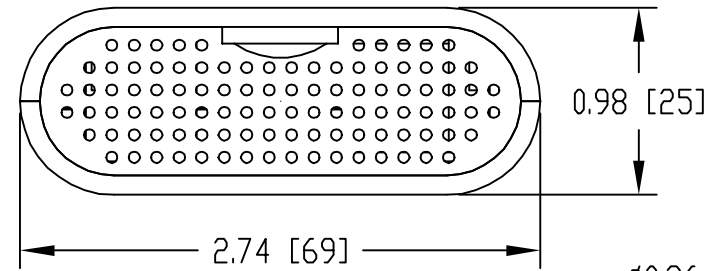
3-12-18

DRAWING FOR REFERENCE
WE RESERVE THE RIGHT TO MAKE CHANGES TO OUR
STANDARD PRODUCTS. PLEASE CONSULT WITH BUD INDUSTRIES
PRIOR TO USING THIS DRAWING FOR DESIGN PURPOSE.

DESIGNED TO ACCEPT VERSION 2&3 OF
RASPBERRY PI MICRO-COMPUTER

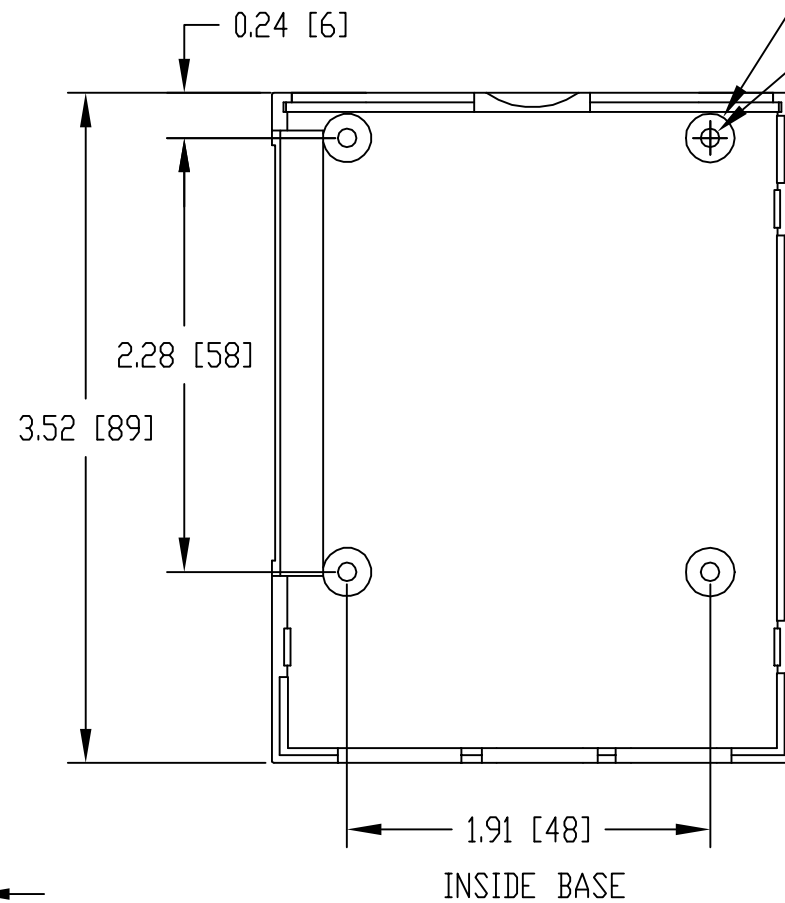
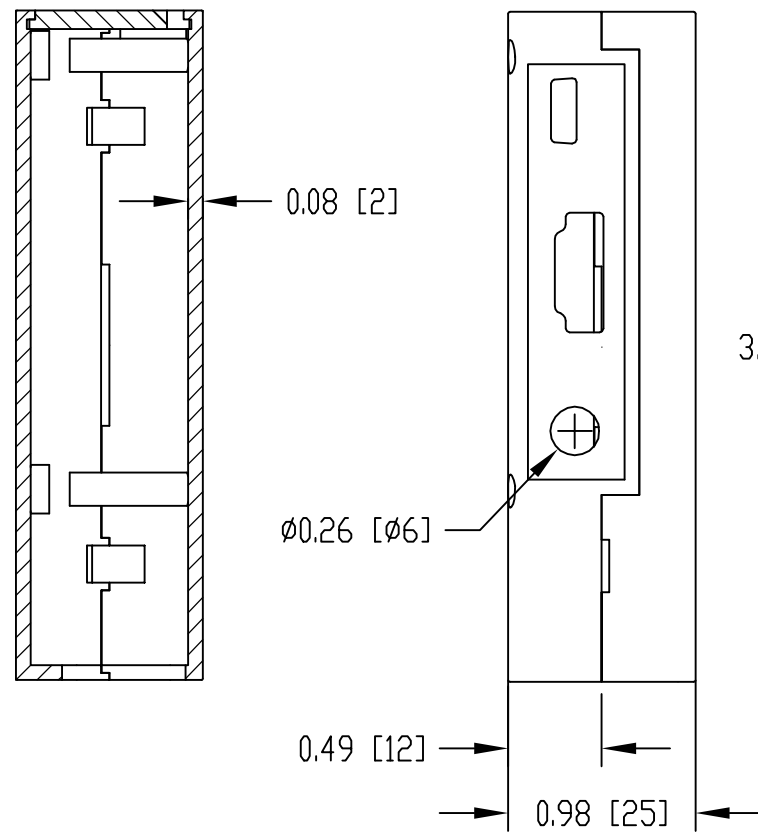
MATERIAL:
BASE, COVER & BACK PANEL -
ABS UL94-HB
WHITE (PART NO. SUFFIX -W)
BLACK (PART NO. SUFFIX -B)
CLEAR (PART NO. SUFFIX -C)

SUPPLIED WITH FOUR M2x0.4 x 8mm LG.
PAN HD. SCREWS FOR ASSEMBLING
THE COVER TO THE BASE

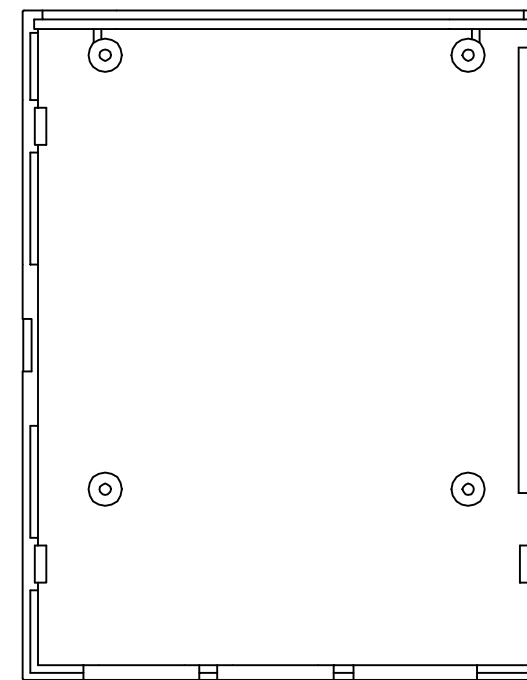


Ø0.26 [Ø6] BOSS (4X)

Ø0.10 [Ø3] HOLE (4X)



INSIDE BASE



INSIDE COVER

