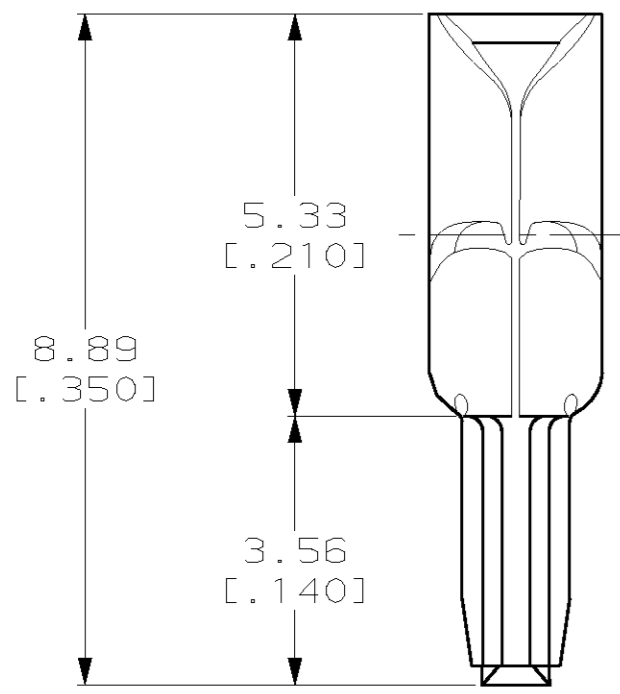
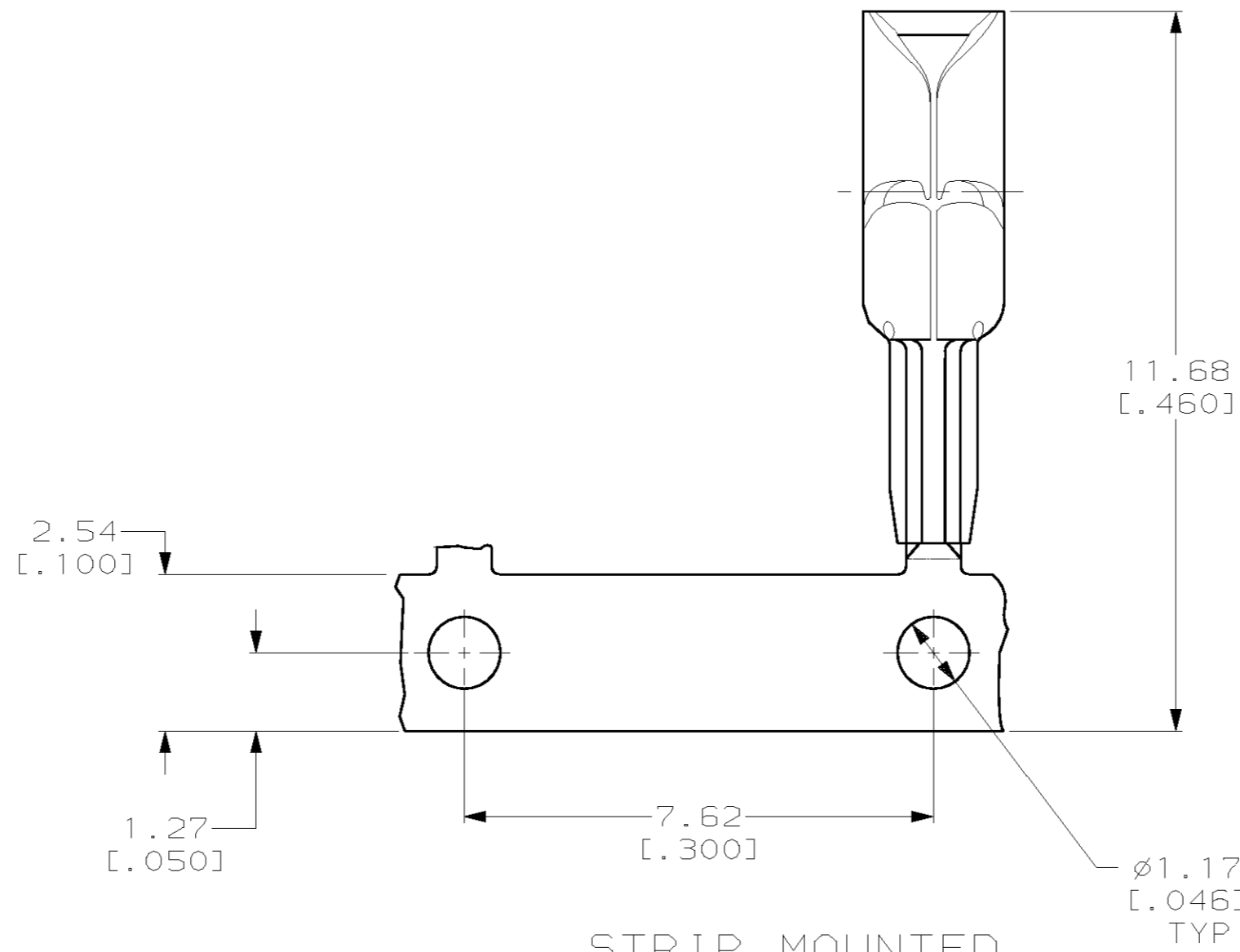


THIS DRAWING IS UNPUBLISHED. RELEASED FOR PUBLICATION .19  
 (C) COPYRIGHT 19 BY AMP INCORPORATED. ALL RIGHTS RESERVED.

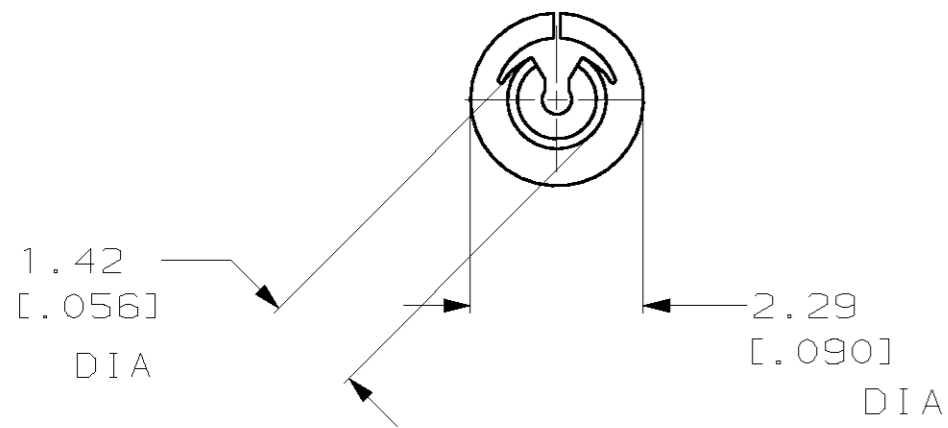
LOC		DIST		REVISIONS			
P	LTR	DESCRIPTION	DATE	DWN	APVD		
HM	00	F		REV; EC 0B40-0280-00	13DEC00	GG	BT



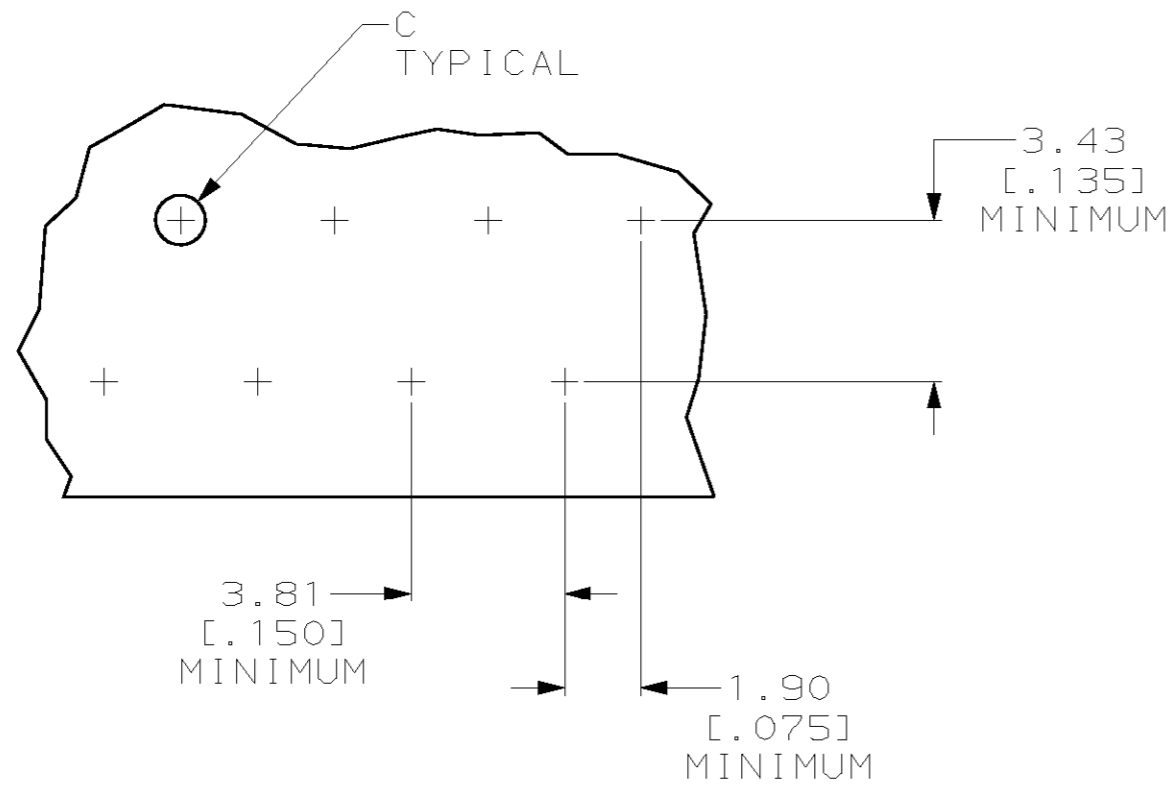
LOOSE PIECE



STRIP MOUNTED



1. ALL DIMENSIONS SHOWN ARE FOR REFERENCE ONLY.
2. FOR USE IN PRINTED CIRCUIT BOARDS 3/64, 1/16 AND 3/32 THICK.
3. WIRE RANGE: 22-28 AWG (SOLID) OR (STRANDED) WIRE. MAXIMUM OUTSIDE DIAMETER 1.34 [.053].
4. FURNISHED AS LOOSE PIECE OR STRIP MOUNTED BY SMALL END OF BARREL.
5. TERMINAL SHALL ACCOMMODATE ONE OR TWO WIRES OF THE SAME TYPE AND WITHIN +/- ONE WIRE GAUGE SIZE.
6. STRIPE OF NICKEL SOLDER RESIST INSIDE OF TERMINAL PREVENTS SOLDER WICKING.
7. SELECTIVELY PREPLATED 0.00381 [.000150] MIN MATTE TIN-LEAD OVER 0.00127 [.000050] MIN MATTE NICKEL.



SUGGESTED PRINTED CIRCUIT BOARD MOUNTING DIMENSIONS SCALE 8:1

1.22-1.32 [.048-.052]	1.27-1.37 [.050-.054]	STRIP MOUNTED	552967-2
		LOOSE PIECE	552967-1
PUNCHED HOLE	DRILLED HOLE	DESCRIPTION	PART NUMBER
DIMENSION C			

THIS DRAWING IS A CONTROLLED DOCUMENT FOR AMP INCORPORATED. IT IS SUBJECT TO CHANGE AND THE CONTROLLING ENGINEERING ORGANIZATION SHOULD BE CONTACTED FOR THE LATEST REVISION.		DWN	JR RUTH	26MAY00	AMP Incorporated Harrisburg, PA 17105-3608
DIMENSIONS: mm [INCHES]		CHK	E HOWARD	26MAY00	
TOLERANCES UNLESS OTHERWISE SPECIFIED:		APVD	E HOWARD	26MAY00	
0 PLC ±- 1 PLC ±- 2 PLC ±- 3 PLC ±- 4 PLC ±- ANGLES ±- FINISH		NAME	E HOWARD		
MATERIAL		PRODUCT SPEC	TERMINAL, $\phi 0.090$ , AMP BARREL WITH SOLDER RESIST		
PHOS BRONZE		APPLICATION SPEC	SIZE	A2	CAGE CODE
		WEIGHT	-	00779	DRAWING NO
		CUSTOMER DRAWING	SCALE	10:1	SHEET
				1	OF
				1	REV
				F	