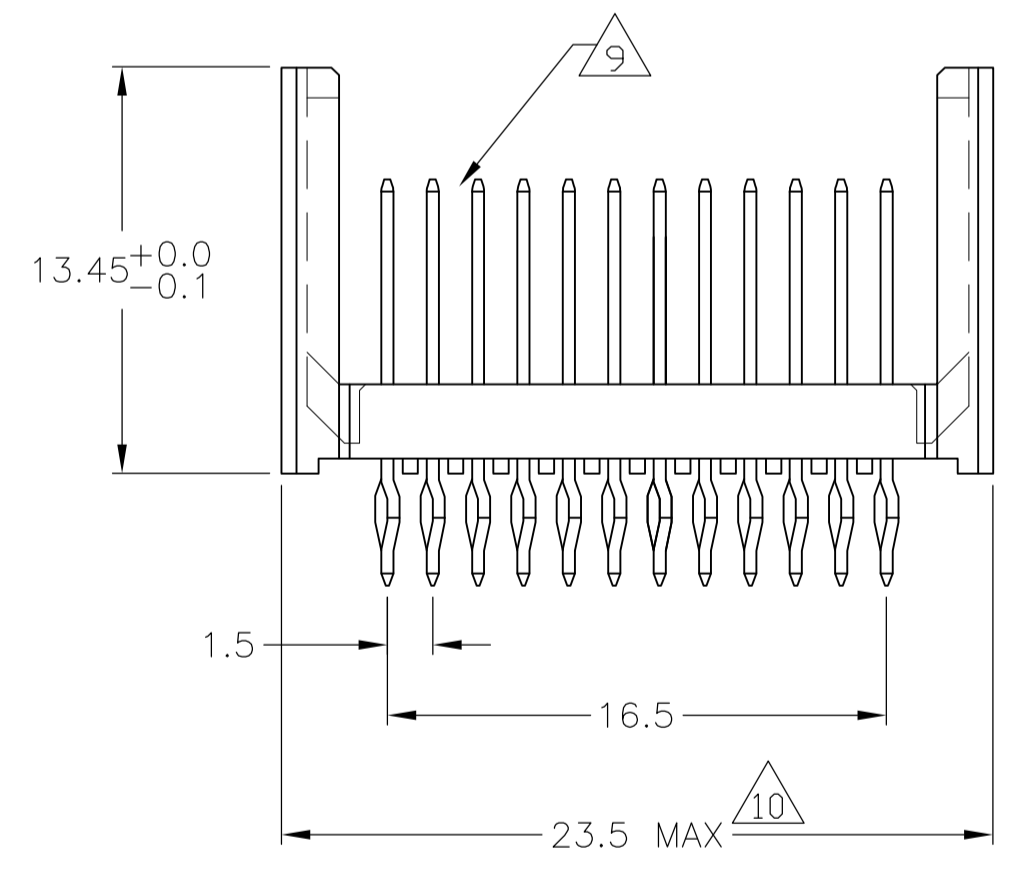
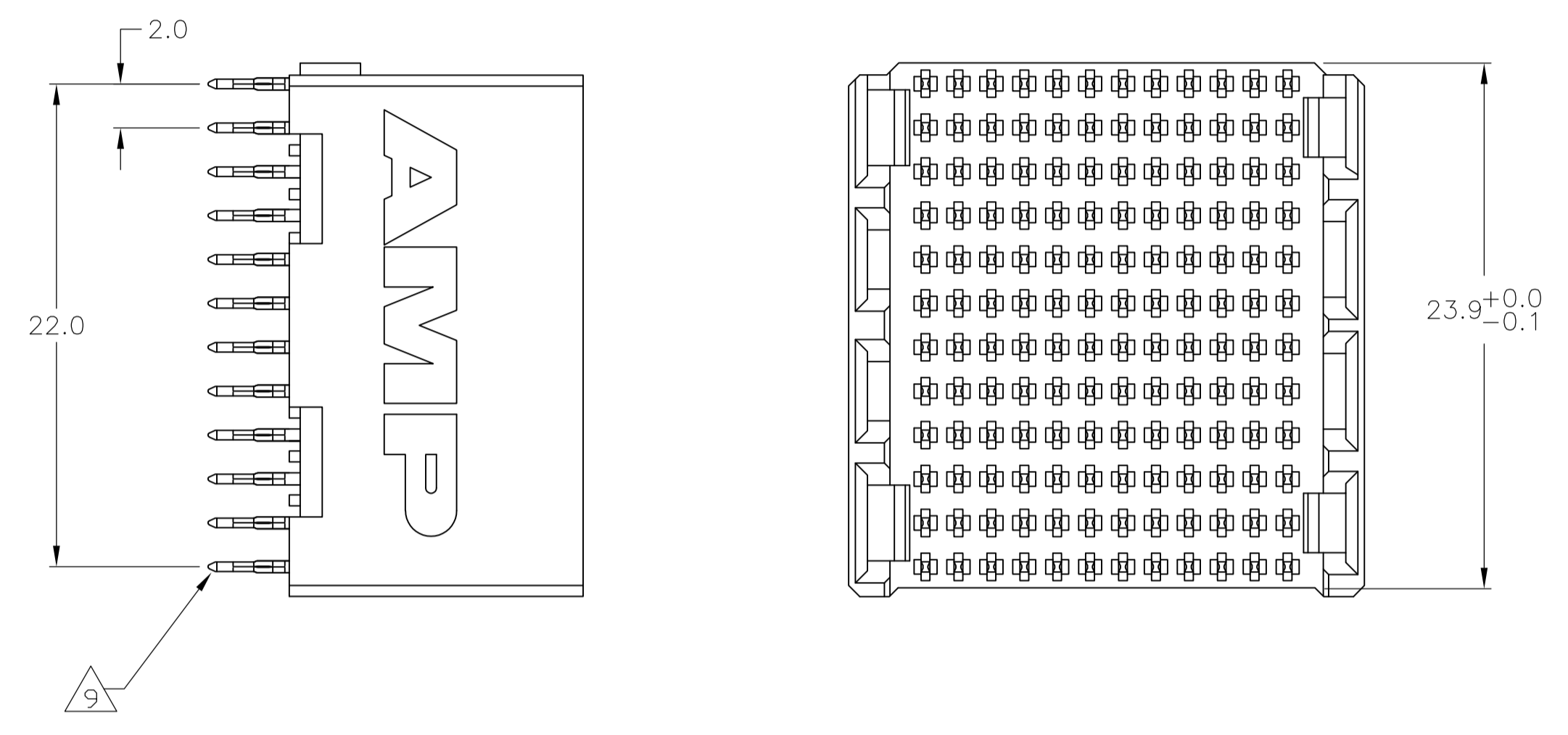
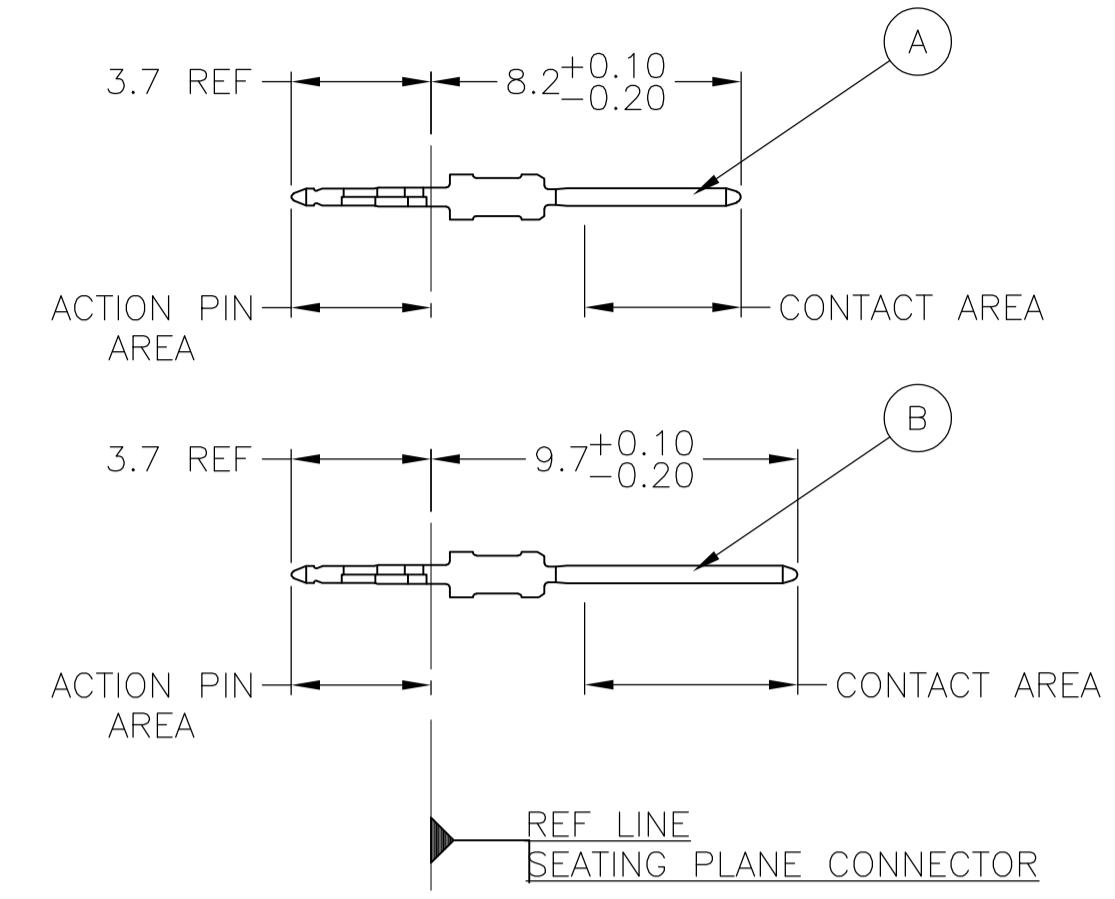


LOC		DIST		REVISIONS			
AD	00	REV	PER	DESCRIPTION	DATE	DMN	APVD
		B	REV PER	ECO-06-021628	11JAN07	DKH	GS
		C	ECR-10-019054		15SEP10	DP	MQW

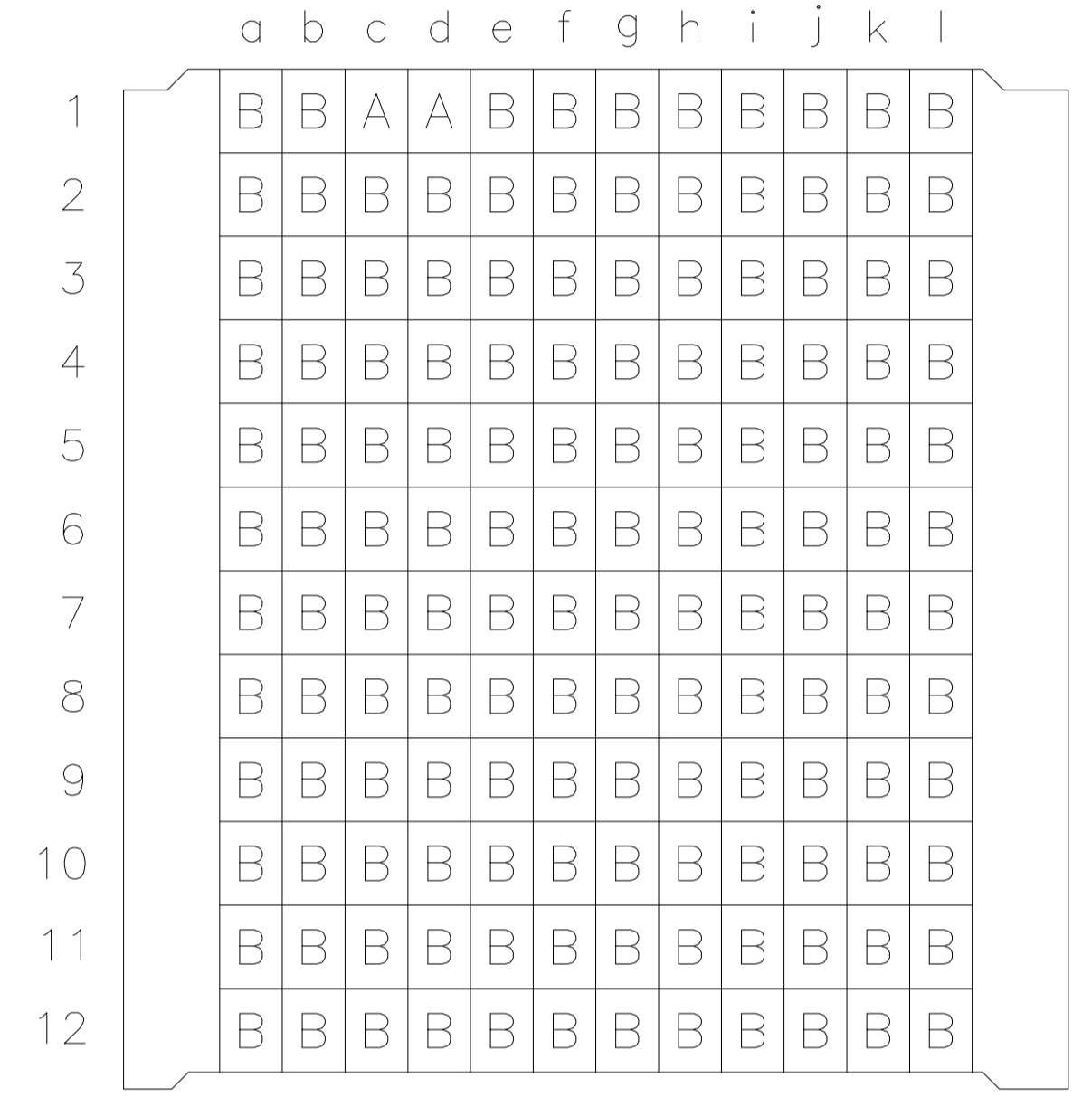
CONNECTOR ASSEMBLY EXAMPLARY LOADED 8



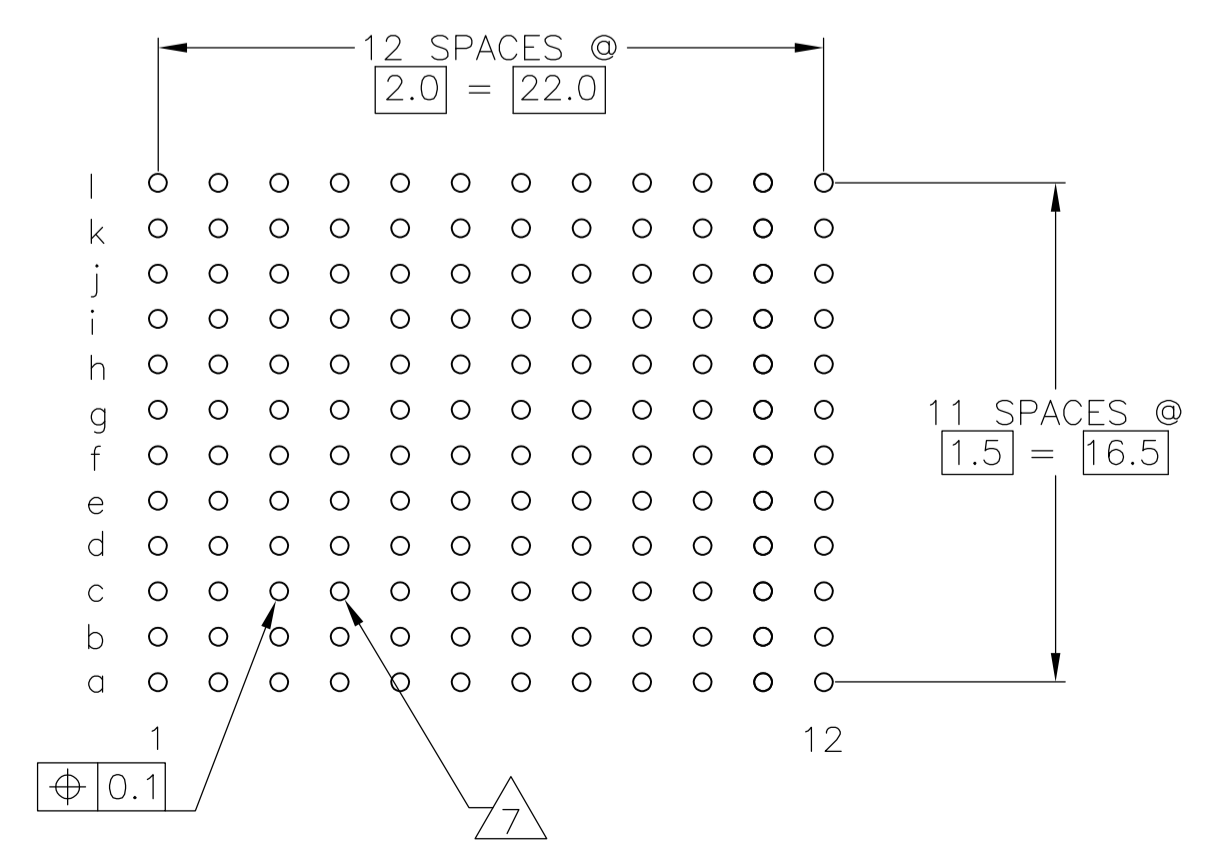
CONTACT DIMENSIONS SCALE 5:1



CONTACT LAYOUT



RECOMMENDED PCB-HOLE LAYOUT COMPONENT SIDE SHOWN



PLATED THRU HOLES PARAMETERS REFERENCE APPLICATION SPECIFICATION

2 6 1 1	1-5120898-9
2 5 1 1	5120898-9
2 4	5120898-4
2 3	5120898-1
FINISH	PART NUMBER

THIS DRAWING IS A CONTROLLED DOCUMENT.		DIN B CARBO 03AUG05		Tyco Electronics Corporation Harrisburg, Pa 17105-3608	
DIMENSIONS: mm		TOLERANCES UNLESS OTHERWISE SPECIFIED:		NAME	
0-PLC ±		0-PLC ± 0.1		108-1738	
1-PLC ± 0.1		1-PLC ± 0.1		APPLICATION SPEC	
2-PLC ±		2-PLC ±		114-1132	
3-PLC ±		3-PLC ±		WEIGHT	
4-PLC ±		4-PLC ±		A1 00779 C=5120898	
ANGLES		SEE TABLE		CUSTOMER DRAWING	
SCALE 4:1		SHEET 1 OF 2		REV C	

THIS DRAWING IS UNPUBLISHED. RELEASED FOR PUBLICATION
 © COPYRIGHT BY TYCO ELECTRONICS CORPORATION. ALL RIGHTS RESERVED.

LOC		DIST		REVISIONS			
P	LTR	DESCRIPTION	DATE	DN	APVD		
AD	00	SEE SHEET 1	-	-	-	-	-

- 1 MATERIAL:
CONTACT: PHOSPHOR BRONZE.
HOUSING: GLASS-FILLED POLYESTER.
- 2 GENERAL PLATING SPECIFICATION: UNDERPLATING
(ENTIRE CONTACT): 1.27µm MIN NICKEL AND ACTION
PIN: 0.5µm MIN TIN.
FOR PLATING OF MATING SURFACES SEE APPLICABLE
SPECIFICATION REFERENCE FOR EACH DASH NUMBER.
- 3 CONFORMS TO ALL TESTING ACCORDING TO IEC 61076-4-101
PERFORMANCE LEVEL 2.
- 4 CONFORMS TO ALL TESTING ACCORDING TO IEC 61076-4-101
PERFORMANCE LEVEL 1.
- 5 CONNECTOR TESTED AND QUALIFIED AGAINST TELCORDIA GR-1217-CORE QUALITY LEVEL 3,
CENTRAL OFFICE APPLICATIONS.
- 6 CONNECTOR TESTED AND QUALIFIED AGAINST TELCORDIA GR-1217-CORE QUALITY LEVEL 3,
UNCONTROLLED ENVIROMENT APPLICATIONS.
- 7 PLATED-THROUGH HOLES AT 2x2mm SQUARE GRID
PATTERN DEFINED BY CONTACT LAYOUT.
- 8 FOR ACTUAL PIN LOADING SEE "CONTACT LAYOUT".
- 9 FOR ACTUAL PIN DIMENSIONS SEE "CONTACT DIMENSIONS".
- 10 TO BE MEASURED AT BOTTOM OF SHROUD.
- 11 CONNECTOR LUBRICATED WITH BELCORE APPROVED LUBRICANT,
TECHNICAL REFERENCE: TR-NWT-001217 ISSUE 1, SEP 1992.

THIS DRAWING IS A CONTROLLED DOCUMENT.		DIN B CARBO 03AUG05		Tyco Electronics Corporation Harrisburg, Pa 17105-3608	
DIMENSIONS: mm		TOLERANCES UNLESS OTHERWISE SPECIFIED: ±0.2		G.SKIPPER 03AUG05	
0-PLC ±		1-PLC ± 0.1		NAME	
2-PLC ±		3-PLC ±		108-1738	
4-PLC ±		ANGLES		APPLICATION SPEC	
MATERIAL SEE SHEET 1		FINISH SEE SHEET 1		114-1132	
		WEIGHT		A1 00779 5120898	
		CUSTOMER DRAWING		SCALE 4:1 SHEET 2 OF 2 REV C	