

# Potentiometers

## Molded composition



Ohmite molded composition potentiometers are available in various models for applications in military devices, industrial equipment and in equipment requiring a convenient resistance control device.

### FEATURES

- Low noise, smooth operation
- In accordance with “Mil” RV4N, RV4L, RV6L, RV6N, 2RV7N types
- RoHS compliant; non-RoHS version unavailable.



### SERIES SPECIFICATIONS

Model	Watts	Ohmic range	Behind panel (in./mm)	Diameter (in./mm)	Rotation	Voltage (RMS)
AS	0.5	50-5M	0.703/17.9	0.50/12.7	295° ±5°	350
ASM	0.5	50-5M	0.703/17.9	0.50/12.7	295° ±5°	350
CA	2.0	50-5M	0.625/15.9	1.16/29.4	312° ±3°	500
CB	2.0	50-5M	0.625/15.9	1.16/29.4	312° ±3°	500
CU	2.0	50-5M	0.625/15.9	1.16/29.4	312° ±3°	500
CCU	2.0	50-5M	1.266/32.1	1.16/29.4	312° ±3°	500
CLU	2.0	50-5M	0.625/15.9	1.16/29.4	312° ±3°	500
CMU	2.0	50-5M	0.625/15.9	1.16/29.4	312° ±3°	500

### CHARACTERISTICS

**Derating** linear from 100% at +70°C to 0% at +120°C

**Operating temp. range** -55°C to 120°C

**Construction** Elements molded into a single, integral structure. Metal cover protects and shields the internal parts.

**Sealing** synthetic resin containing non-mercurial fungicide

**Product life** Since all rheostats/potentiometers are electro-mechanical devices, they are subject to mechanical wear and, therefore, have a finite life.

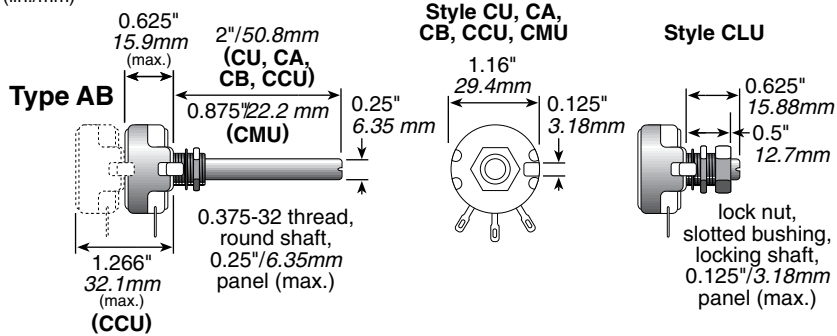
(continued)

# Potentiometers

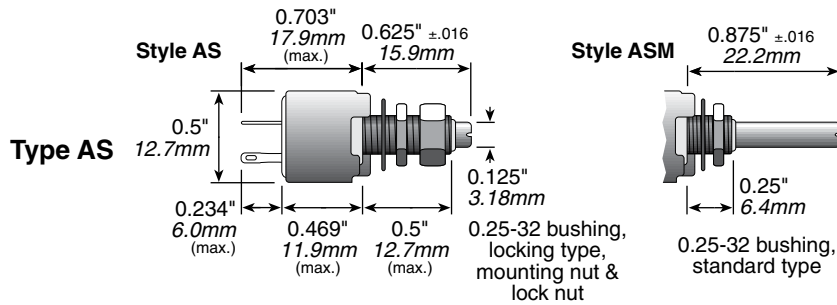
## Molded composition

### DIMENSIONS

(iin./mm)



Model	Watts	Behind panel	Diameter	Rotation
AS	0.5	0.703/17.9	0.50/12.7	295° ±5°
ASM	0.5	0.703/17.9	0.50/12.7	295° ±5°
CA	2.0	0.625/15.9	1.16/29.4	312° ±3°
CB	2.0	0.625/15.9	1.16/29.4	312° ±3°
CU	2.0	0.625/15.9	1.16/29.4	312° ±3°
CCU	2.0	1.266/32.1	1.16/29.4	312° ±3°
CLU	2.0	0.625/15.9	1.16/29.4	312° ±3°
CMU	2.0	0.625/15.9	1.16/29.4	312° ±3°



### ORDERING INFORMATION

Ohmic value	MIL Designation			Part No.														
	Prefix	Suffix	Part No.	Prefix	Suffix	Linear	Linear	CW log	CCW log	Linear	Linear Dual	Linear	Linear					
50	500A	5001	✓	CMU	RV4NAVSD	Linear	✓	✓	✓	✓	✓	✓	✓	✓	✓	✓	✓	
100	101A	1011	✓	CU	RV4NAV SJ	Linear	✓	✓	✓	✓	✓	✓	✓	✓	✓	✓	✓	✓
150	151A	1511	✓	CA	RV4NAV SJ	CW log	✓	✓	✓	✓	✓	✓	✓	✓	✓	✓	✓	✓
250	251A	2511	✓	CB	RV4NAV SJ	CCW log	✓	✓	✓	✓	✓	✓	✓	✓	✓	✓	✓	✓
350	351A	3511	✓	CLU	RV4LAYSA	Linear	✓	✓	✓	✓	✓	✓	✓	✓	✓	✓	✓	✓
500	501A	5011	✓	CCU	2RV7NYSJ	Linear Dual	✓	✓	✓	✓	✓	✓	✓	✓	✓	✓	✓	✓
750	751A	7511	✓	RV6LAYSA	Linear	✓	✓	✓	✓	✓	✓	✓	✓	✓	✓	✓	✓	✓
1,000	102A	1021	✓	RV6NAVSD	Linear	✓	✓	✓	✓	✓	✓	✓	✓	✓	✓	✓	✓	✓
1,500	152A	1521	✓				✓	✓	✓	✓	✓	✓	✓	✓	✓	✓	✓	✓
2,500	252A	2521	✓				✓	✓	✓	✓	✓	✓	✓	✓	✓	✓	✓	✓
3,500	352A	3521	✓				✓	✓	✓	✓	✓	✓	✓	✓	✓	✓	✓	✓
5,000	502A	5021	✓				✓	✓	✓	✓	✓	✓	✓	✓	✓	✓	✓	✓
7,500	752A	7521	✓				✓	✓	✓	✓	✓	✓	✓	✓	✓	✓	✓	✓
10,000	103A	1031	✓				✓	✓	✓	✓	✓	✓	✓	✓	✓	✓	✓	✓
15,000	153A	1531	✓				✓	✓	✓	✓	✓	✓	✓	✓	✓	✓	✓	✓
25,000	253A	2531	✓				✓	✓	✓	✓	✓	✓	✓	✓	✓	✓	✓	✓
35,000	353A	3531	✓				✓	✓	✓	✓	✓	✓	✓	✓	✓	✓	✓	✓