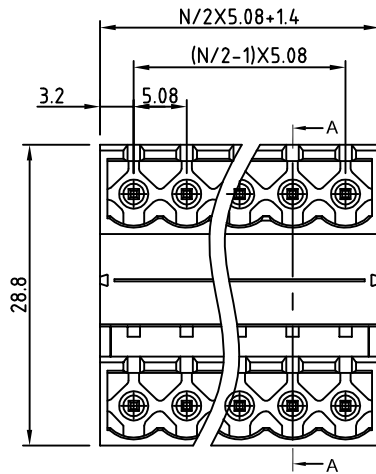
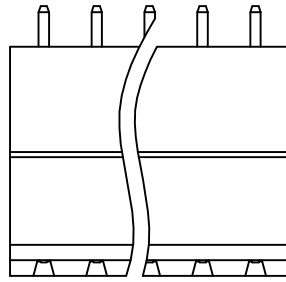
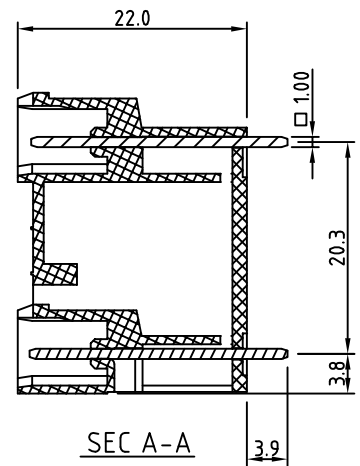


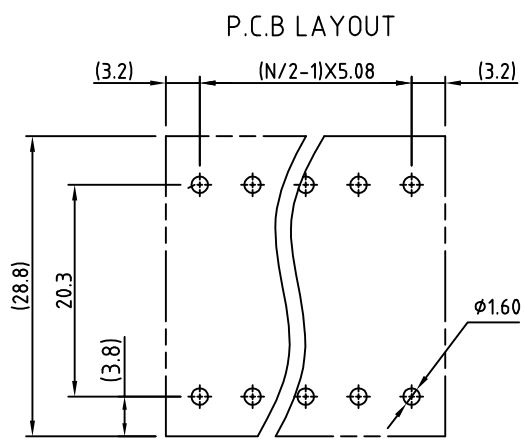
SIGN	DATE	DESCRIPTION	APPROVER
THIS IS CAD DRAWING, DO NOT REVISE MANUALLY!!!			



N=NUMBER OF POLES



SEC A-A



P.C.B LAYOUT

- Material**
- Terminal body (Contact pin): Brass Whit Tin plated
 - Insulator (housing): Thermoplastic (UL94V-0)
- Electrical cULus**
- Voltage rating: 300VAC
 - Current rating: 20A
 - Withstanding Voltage: 1.6KV
 - Operating temperature: -30°C to +105°C
 - Soldering temperature: 250°C±10°C/5 Sec
 - Safety Approval: US
- RoHS Compliant

PART NUMBER:
OSTVLXX5150

No. of Poles →
 04: 2x02 Poles
 06: 2x03 Poles
 : :
 48 2x24 Poles

COLOR
 0: Black
 5: Green (Standard)
 6: Blue
 8: Grey

THESE DRAWINGS AND SPECIFICATIONS ARE THE PROPERTY OF ON-SHORE TECHNOLOGY, INC. AND SHALL NOT BE REPRODUCED, COPIED OR USED IN ANY MANNER WITHOUT THE PRIOR WRITTEN CONSENT OF ON-SHORE TECHNOLOGY, INC.



TITLE		OSTVL-5.08mm Series closed vertical 2x2p-2x24p				
PART NO.	OSTVLXX5150	DWG NO.	OSTVLXX5150.DWG			
APPROVED	CHECKED	DESIGNED	DRAWN	CUST NO.	Tolerance	
Shi Jun 2006.10.23	Marvin 2006.10.23	Marvin 2006.10.23	Marvin 2006.10.23		X. ±0.50 X.X ±0.30 X.XX ±0.10 X° ±1°	
				SHEET: 01/01	REV.: D	

E

D

C

B

A

1

2

3

4

5

6

7

1

2

3

4

5

6

7