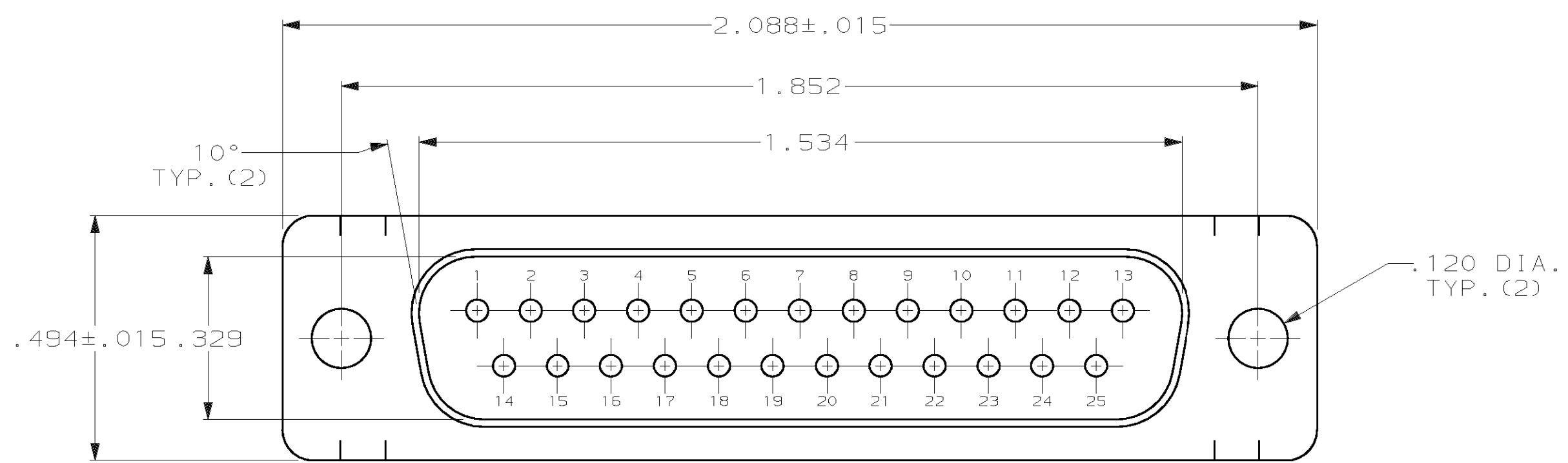
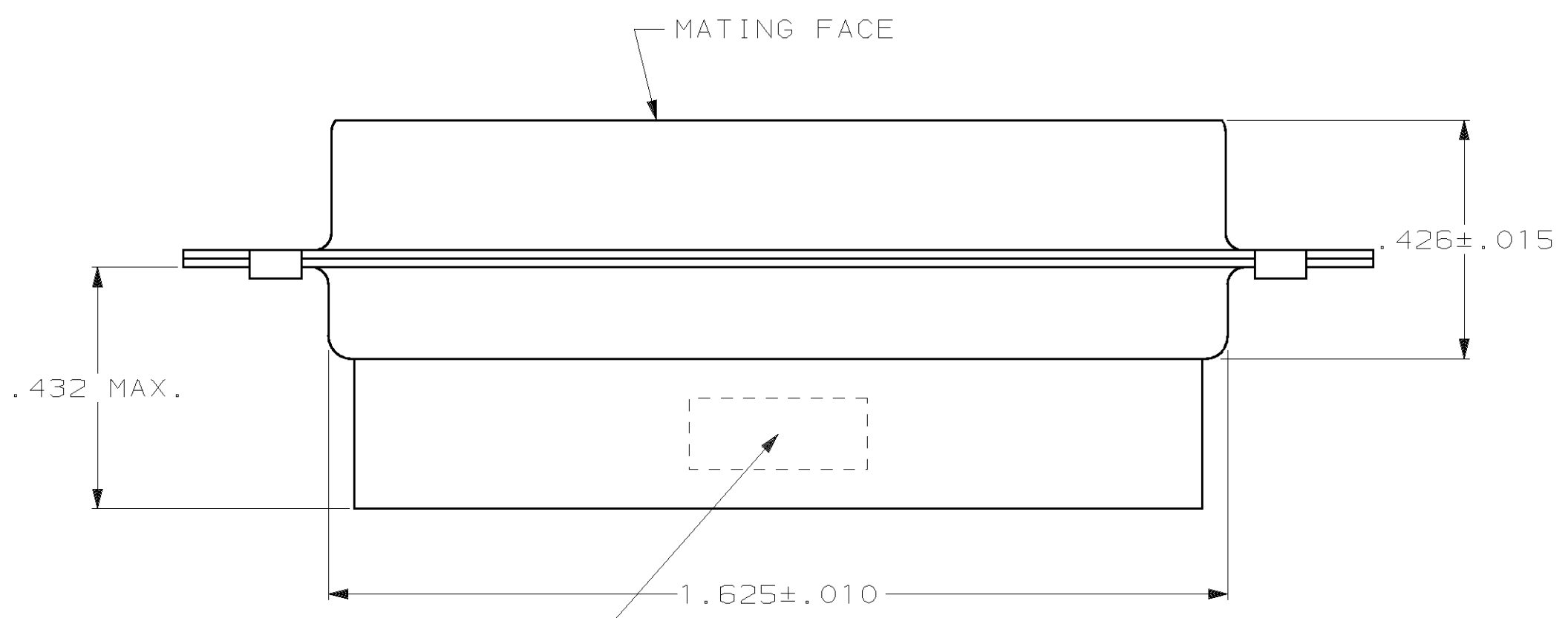


THIS DRAWING IS UNPUBLISHED. RELEASED FOR PUBLICATION ,19 .
 © COPYRIGHT 19 BY AMP INCORPORATED. ALL INTERNATIONAL RIGHTS RESERVED.

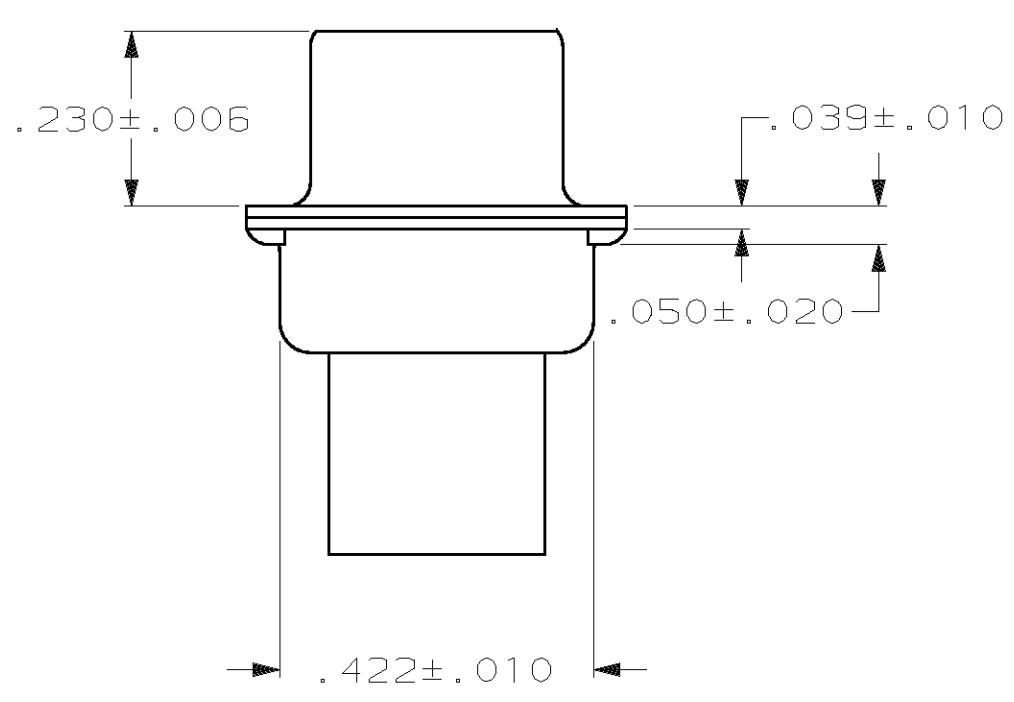
LOC		DIST		REVISIONS				
GP	00	P	F	ZONE	LTR	DESCRIPTION	DATE	APPD
				G		REVISED PER EC 0513-0023-03	14MAY03	JG



1. CONNECTOR ACCEPTS SIZE 20 DF PIN CONTACTS, RETENTION TINES ARE AN INTEGRAL PART OF INSERT.
2. CONNECTOR COMPLIES WITH AMP SPEC. 108-40005 WHERE APPLICABLE.
- ③ FLAME RETARDANT 94V-0 RATED GLASS FILLED NYLON, COLOR: BLACK.
- ④ STEEL PER ASTM A109.
- ⑤ ZINC PLATED PER ASTM B633; TYPE II; CLASS SC1; YELLOW CHROMATE.



"AMP", PART NO. & DATE CODE, MARKED IN AREA INDICATED, ON FAR SIDE



OBSOLETE	SMALL PACK	⑤	205208-3
	STANDARD	⑤	205208-1
	PACKAGING TYPE	SHELL FINISH	PART NUMBER

DO NOT SCALE PRINT. UNLESS SPECIFIED DIMENSIONS IN INCHES. TOLERANCES ON : 2 PLC DEC ± 3 PLC DEC ± .005 ANGLES ± 2°		DR 7-19-85 S.WELDON	AMP Incorporated Harrisburg, PA 17105-3608	
MATERIAL MOLDED PARTS: ③ SHELLS: ④		CHK 7-29-85 J.GERACE		
FINISH SHELLS: SEE TABLE		APPD 7-29-85 L.BREKOSKY	NAME PLUG CONNECTOR, SIZE 3, 25 POS., AMPLIMITE™ HDP	
		APPD 7-31-85 V.KUMAR	SIZE ③	CAGE CODE 00779
		PRODUCT SPEC -	DRAWING NO ③=205208	
		APPLICATION SPEC -	SCALE NTS	SHEET 1 OF 1
		WEIGHT -		

THIS DRAWING IS A CONTROLLED DOCUMENT FOR AMP INCORPORATED. IT IS SUBJECT TO CHANGE AND THE CONTROLLING ENGINEERING ORGANIZATION SHOULD BE CONTACTED FOR THE LATEST REVISION.