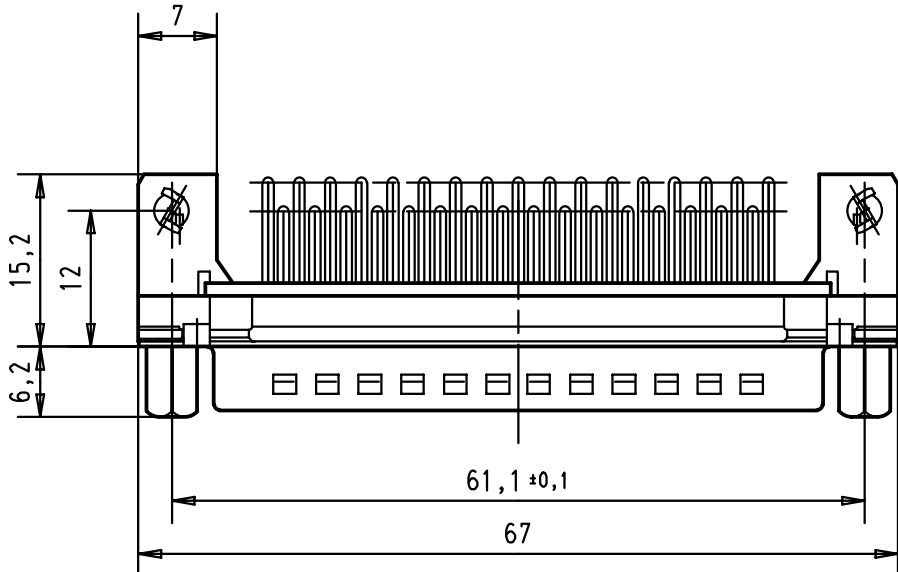
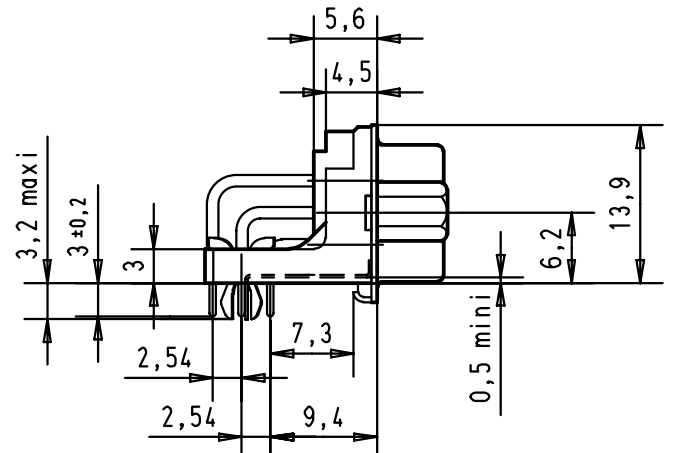
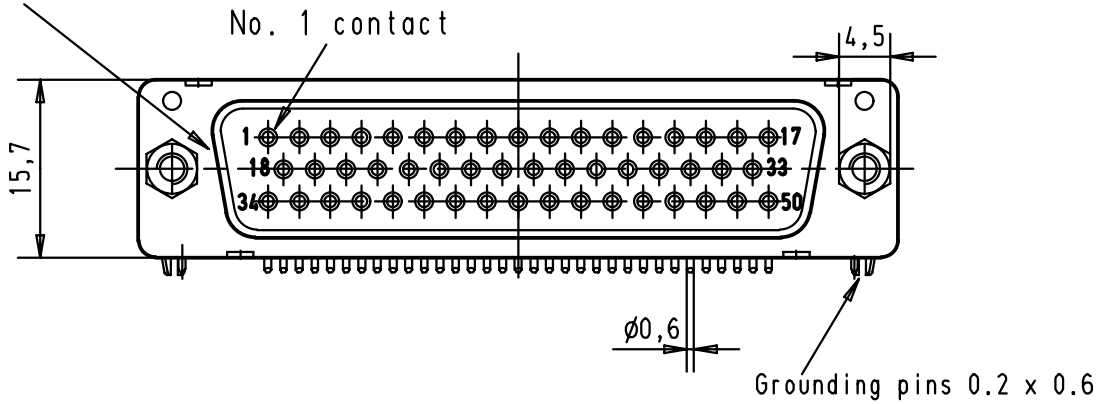


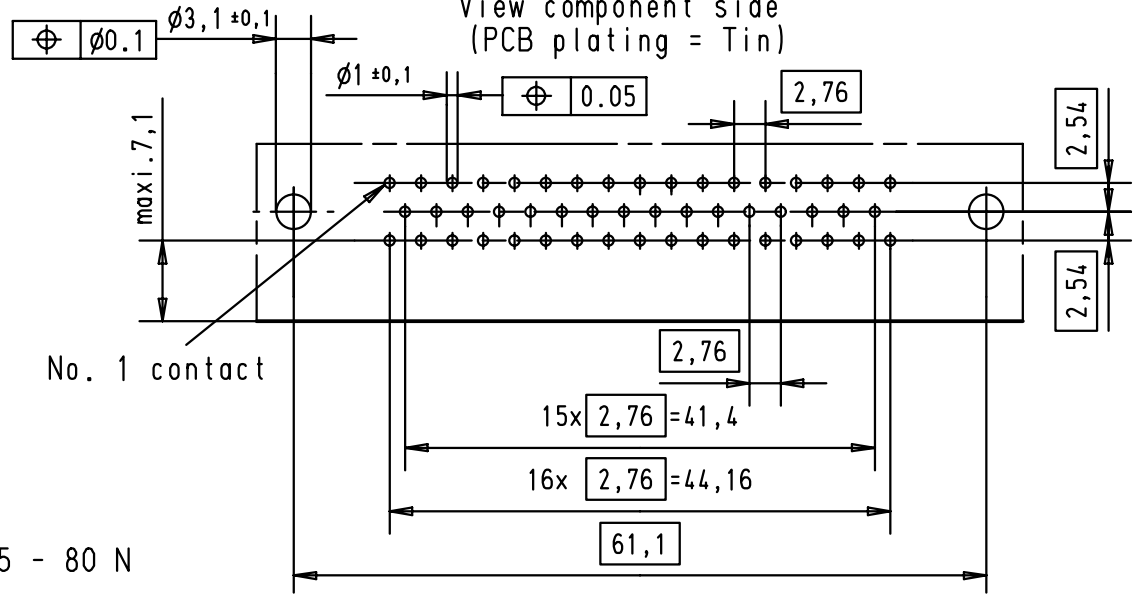
5 4 3 2 1

Mating face according to MIL-C-24308 / DIN 41 652 / CECC 75301-802



Mounting force on Printed board : 25 - 80 N

Printed board layout (1,6 ± 0,2 thick)  
View component side  
(PCB plating = Tin)



D  
C  
B  
A

09 66 562 6817	4-40 UNC	2			
09 66 562 7817	4-40 UNC	3			
09 66 562 5817	4-40 UNC	0,76 µm Au	29733	23-NOV-01	JB
Part number	screw-lock	Performance level	Mod.	Dat.	Name

Detail.	23-NOV-01	Name	JB	<p>All Dim. in mm Orig. Size DIN A 4</p>	<p>D-Sub male low profile 50 poles with solder pins, screw-lock, board lock and grounding pins</p>	<p>Maßstab/ Scale</p> <p>1,5:1</p>
Insp.						
Stand.						
<p>HARTING EURL F-95972 Paris</p>					<p>TB 09 66 562 X81X</p>	<p>Blatt/ Page</p> <p>4</p>
				Sub.		