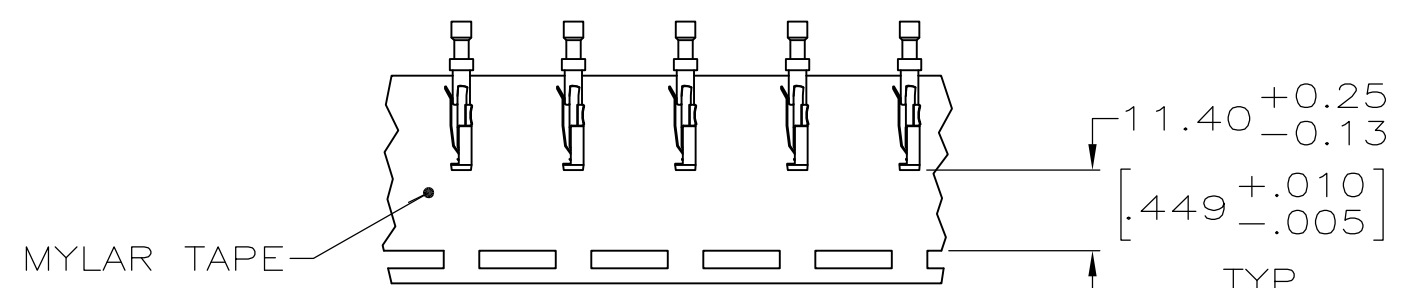
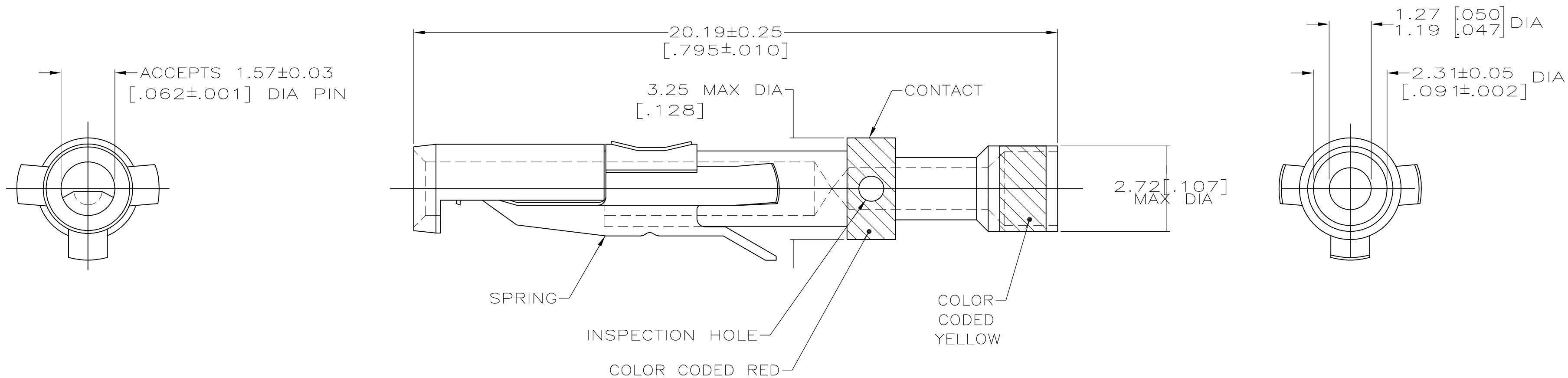


P		F		ZONE		LTR		REVISIONS		
								DESCRIPTION	DATE	APPD
							AE	REDRAWN, ADDED 1--4 PER NPR 3506	5-9-91	RW
							AF	ADDED 1--5 PER NPR 4680	04/02/93	RSK
							AF1	REVISED PER ECO-09-020935	09SEP09	AEG

WHEN ORDERING CONTACT ASSEMBLY ON TAPE, ORDER BY THE TAPE NUMBER PLUS THE PACKAGING CODE AS FOLLOWS:

1. FOR USE WITH AMP TAPETRONIC, PNEUMATIC TOOL-
 - A. 1000 PARTS TO A BOX ADD PACKAGING CODE: 1MBOX
2. FOR USE WITH 4/8 INDENT STRIPPER CRIMPER-
 - A. 1000 PARTS TO A REEL ADD PACKAGING CODE: 1MREEL
 - B. 5000 PARTS TO A REEL ADD PACKAGING CODE: 5MREEL

3 OBSOLETE PARTS: OBSOLETE CIS STREAMLINING PER D.RENAUD/D.SINISI



TAPE MTG DETAIL
SCALE 1:1

3 OBSOLETE	SMALL PACK	1-201328-5
	KIT	1-201328-4
	TAPE MTG SEE DETAIL	201328-9
	BULK	201328-1
	PACKAGING	PART NO

DO NOT SCALE PRINT. UNLESS SPECIFIED DIMENSIONS IN mm [INCHES] TOLERANCES ON :	DR 5-9-91 W.G.LENKER	AMP Incorporated Harrisburg, PA 17105-3608		
2 PLC DEC ± -	CHK 5-14-91 R.STONE			
3 PLC DEC ± -	APPD 5-14-91 R.WALTER	NAME		
ANGLES ± -	APPD -	SOCKET CONTACT ASSEMBLY, TYPE II		
MATERIAL	PRODUCT SPEC			
CONTACT: BRASS	APPLICATION SPEC	SIZE	CAGE CODE	DRAWING NO
SPRING: STAINLESS STEEL	WEIGHT -	10:1	00779	201328
FINISH		SCALE		SHEET
CONTACT: 0.76µm [.000030]				1 OF 1
MIN GOLD OVER 1.27µm				
[.000050] MIN NICKEL				