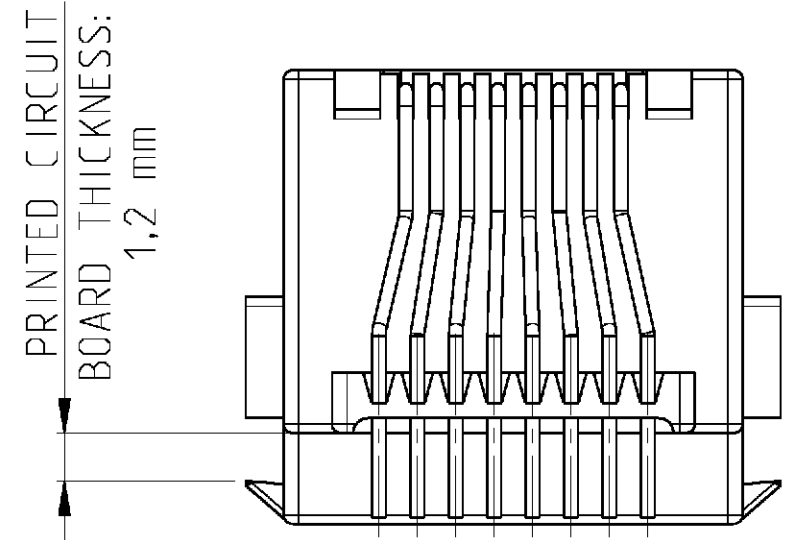
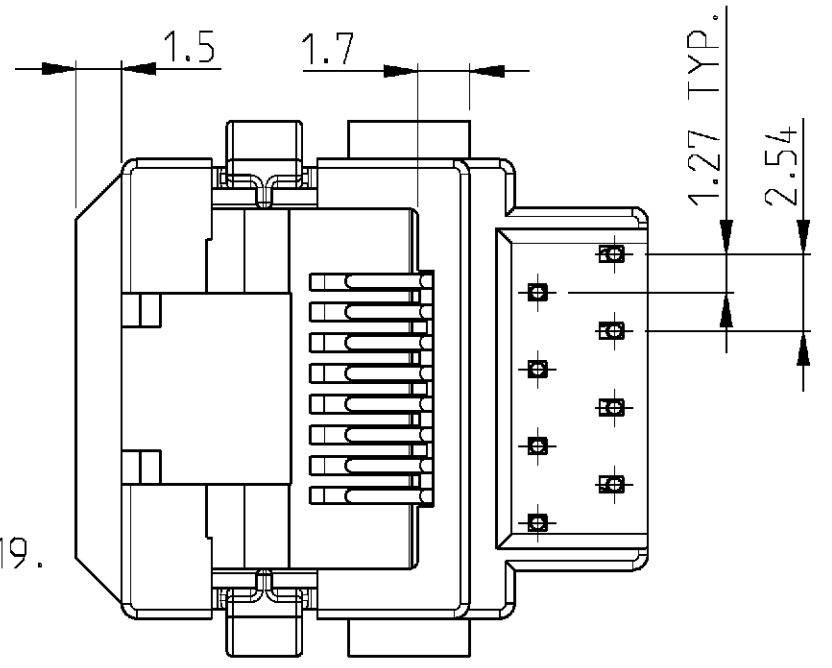


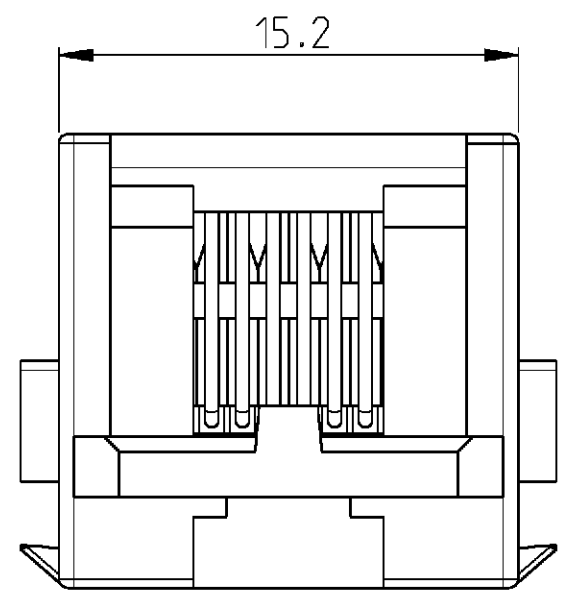
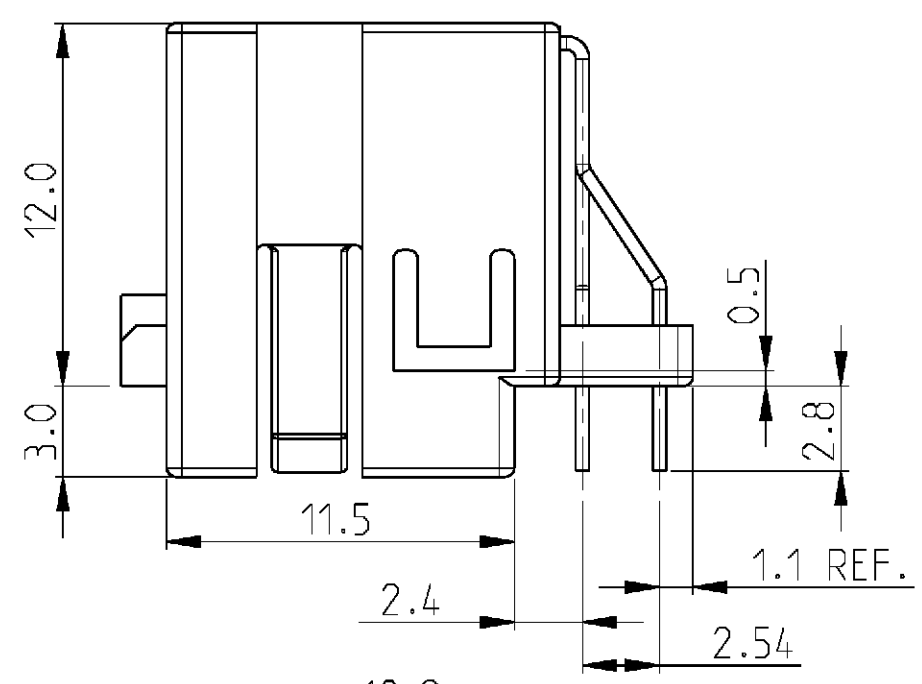
THIS DRAWING IS UNPUBLISHED. RELEASED FOR PUBLICATION 2000
 © COPYRIGHT 2000 BY TYCO ELECTRONICS CORPORATION. ALL RIGHTS RESERVED.

| LOC | DIST | REVISIONS | | | |
|-----|------|--------------|-----------|-----|------|
| P | LTR | DESCRIPTION | DATE | DWN | APVD |
| | G | SR10-0119-01 | 20 MAR 01 | KV | - |

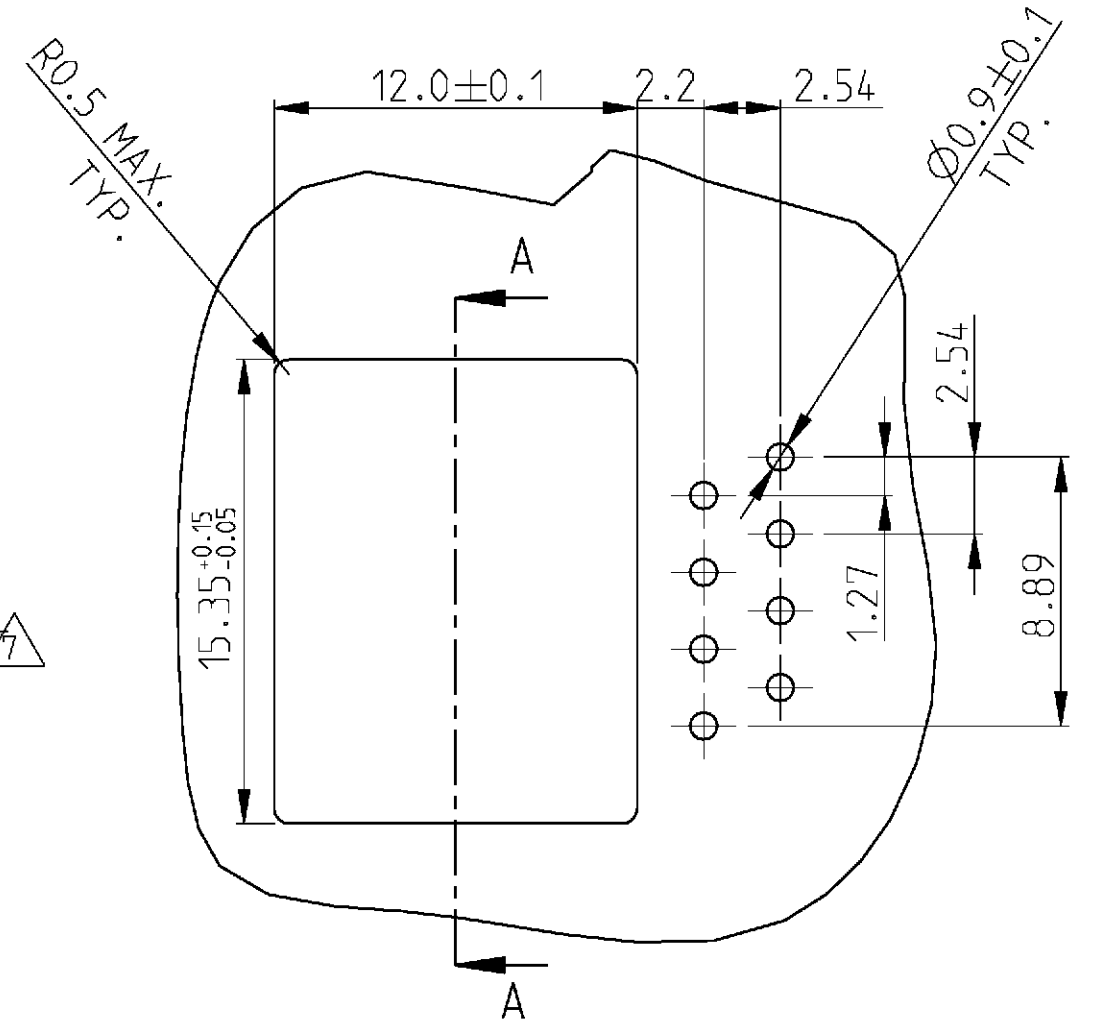
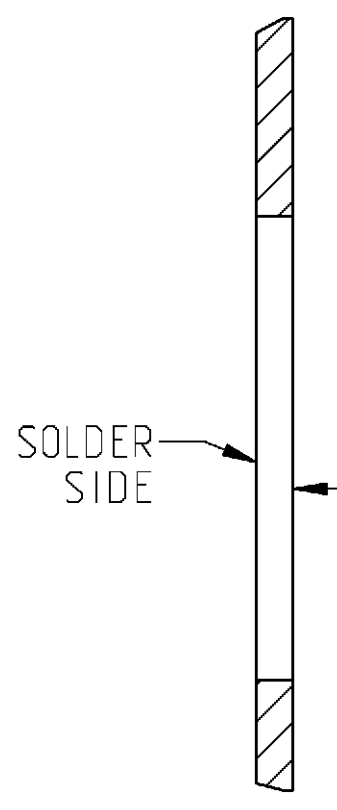
- 1 MODULAR JACKS ARE DELIVERED WITH PLASTIC SOLDER STOP INSTALLED (SEE PAGE 2), TO PREVENT SOLDER ENTERING THE JACK. REMOVE SOLDER STOP AFTER SOLDERING. REPRESENTATION ON SHEET 1 IS MODULAR JACK WITHOUT SOLDER STOP.
- 2 TOLERANCES UNLESS OTHERWISE SPECIFIED: $\pm 0,15$.
- 3 FOR PACKAGING: SEE SHEET 2.
- 4 FOR PERFORMANCE SPECIFICATION SEE PRODUCT SPECIFICATION 108-19064.
- 5 FOR APPLICATION REQUIREMENTS SEE APPLICATION SPECIFICATION 114-19019.
- 6 MOLDED-IN CHARACTER "1,2" MEANS FOR 1,2 mm PRINT THICKNESS.
- 7 PREFERRED DIRECTION FOR STAMPING OF HOLE TO OBTAIN A BROKEN EDGE AT JACK ENTRY SIDE.



6



SECTION A-A



PRINTED CIRCUIT BOARD LAYOUT

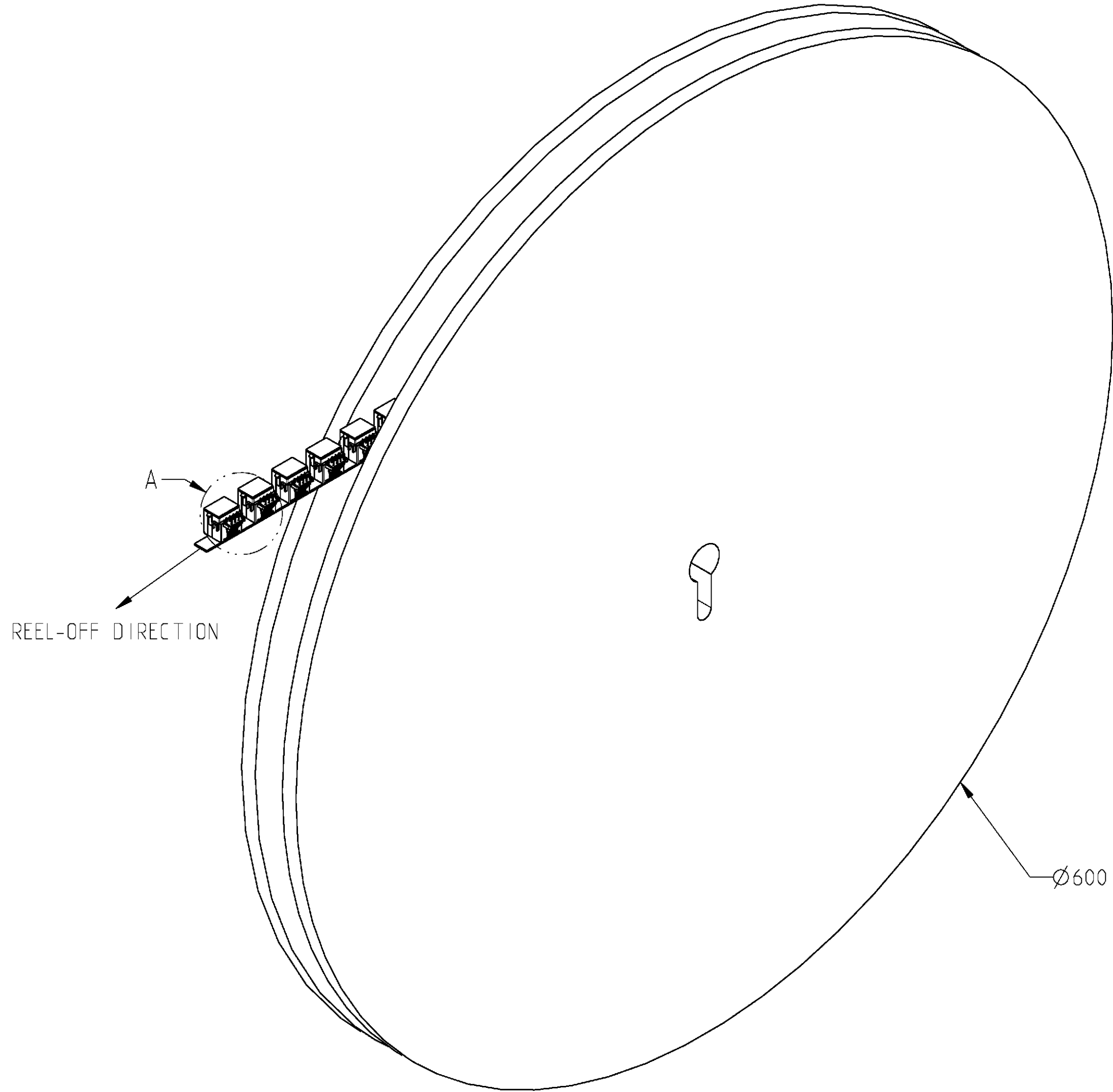
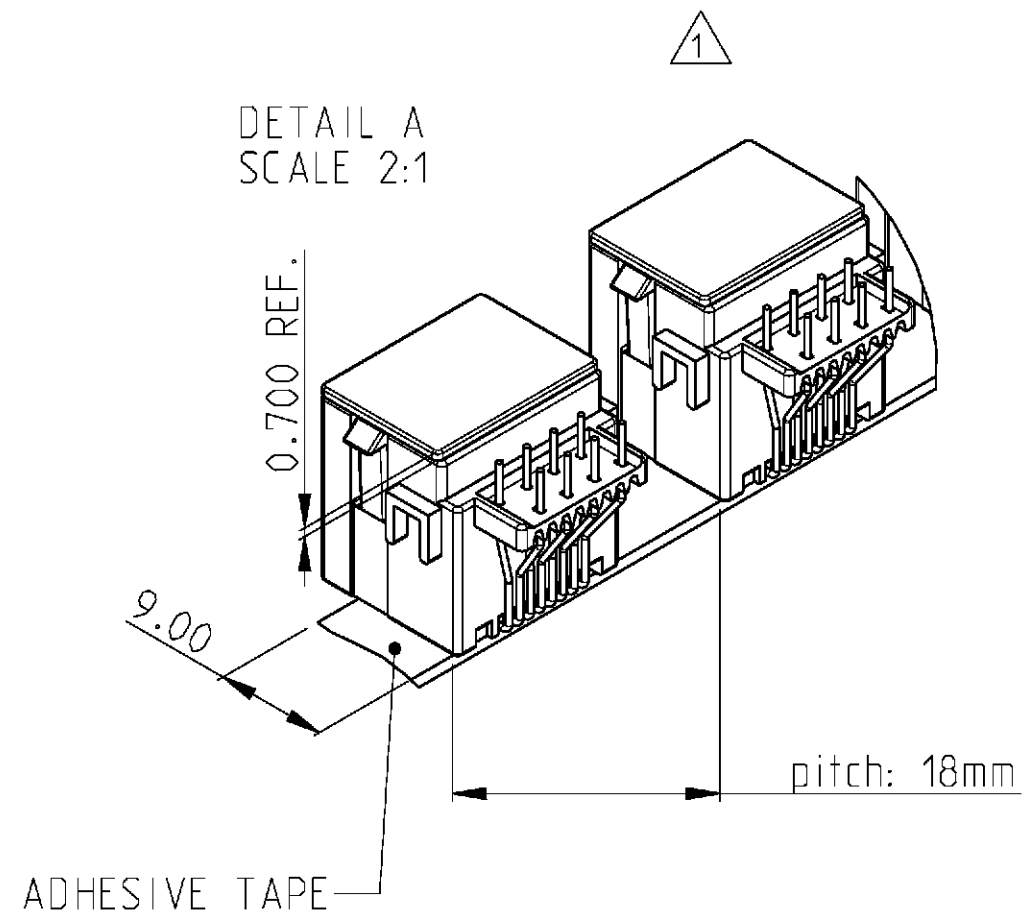
TOLERANCES UNLESS OTHERWISE SPECIFIED: $\pm 0,15$.

| | | | | |
|---|--|---|--|----------|
| 600 pcs TAPE MOUNTED ON A Ø 60 cm REEL | 8 POSITIONS 8 CONTACTS WITH SOLDER STOP | CONTACTS: IN CONTACT AREA: 1,25 µm MIN. GOLD OVER 1,25 µm MIN. NICKEL SOLDER TINES: 2,0 µm MIN. TIN-LEAD OVER 1,25 µm MIN. NICKEL | HOUSING: 20% G.G. NYLON COLOR: BLACK UL 94-HB CONTACTS: Phos-BRONZE | 188728-1 |
| PACKAGING | REMARKS | FINISH | MATERIAL | P/N |

| | | | | |
|--|--|-------------------------------|---|------------------------|
| THIS DRAWING IS A CONTROLLED DOCUMENT FOR TYCO ELECTRONICS CORPORATION IT IS SUBJECT TO CHANGE AND THE CONTROLLING ENGINEERING ORGANIZATION SHOULD BE CONTACTED FOR THE LATEST REVISION. | | DWN M.V.ESSEN 28 JUL 95 | Tyco Electronics Dostkamp - Belgium | |
| DIMENSIONS: mm | | CHK W.BRUMMANS | NAME MODULAR JACK, 8 POS., BOTTOM ENTRY VERSION FOR PRINTED CIRCUIT BOARD MOUNTING | |
| TOLERANCES UNLESS OTHERWISE SPECIFIED: 0 PLC # # # 1 PLC # # # 2 PLC # # # 3 PLC # # # 4 PLC # # # ANGLES # # # FINISH # # # | | APVD C.V.TILBURG | SIZE A2 | |
| MATERIAL | | PRODUCT SPEC | CAGE CODE 00779 | DRAWING NO C=188728 |
| | | APPLICATION SPEC | RESTRICTED TO | |
| | | WEIGHT | SCALE 4:1 SHEET 1 OF 2 REV G | |
| | | CUSTOMER DRAWING | | |

THIS DRAWING IS UNPUBLISHED. RELEASED FOR PUBLICATION 2000
 © COPYRIGHT 2000 BY TYCO ELECTRONICS CORPORATION. ALL RIGHTS RESERVED.

| LOC | DIST | REVISIONS | | | |
|-----|------|-------------|------|-----|------|
| P | LTR | DESCRIPTION | DATE | DWN | APVD |
| - | - | SEE SHEET 1 | - | - | - |
| | | | | | |
| | | | | | |



| | | | | |
|---|--|-------------------------------|--|--------------------|
| THIS DRAWING IS A CONTROLLED DOCUMENT FOR TYCO ELECTRONICS CORPORATION. IT IS SUBJECT TO CHANGE AND THE CONTROLLING ENGINEERING ORGANIZATION SHOULD BE CONTACTED FOR THE LATEST REVISION. | | DWN M.v.Essen 28 JUL 95 | Tyco Electronics Dostkamp - Belgium | |
| DIMENSIONS: mm | | CHK W. BRUMMANS | NAME MODULAR JACK 8 POS., BOTTOM ENTRY VERSION FOR PRINTED CIRCUIT BOARD MOUNTING | |
| TOLERANCES UNLESS OTHERWISE SPECIFIED: 0 PLC # 1 PLC # 2 PLC # 3 PLC # 4 PLC # ANGLES # FINISH - | | APVD C.v.TILBURG | RESTRICTED TO | |
| MATERIAL | | PRODUCT SPEC | SIZE A2 | CAGE CODE 00779 |
| | | APPLICATION SPEC | DRAWING NO C=188728 | SCALE 4:1 |
| | | WEIGHT | SHEET 2 | OF 2 |
| | | CUSTOMER DRAWING | REV G | |