

Power Supply IP42 for LED- and Illumination applications indoor 90~264 VAC => 24 VDC 0.34 A 8 W

new



See below:

**Approvals and Compliances**

**Description**

- Universal AC input (full range)
- Fully isolated plastic case
- Protections: Short circuit, overload, over voltage
- No load power consumption <0.5W
- 100% full load burn-in test

**Unique Selling Proposition**

- Constant voltage design
- Cooling by free air convection
- Small and compact design
- Low costs, high reliability

**Characteristics**

- Suitable for LED related fixture or appliances, such as LED decoration or Advertisement devices

**Weblinks**

[html-datasheet](#), [General Product Information](#), [Product News](#), [Detailed request for product](#)

**Technical Data**

Voltage Range	128 bis 370 VDC, 90 bis 264 VAC (47 bis 63 Hz)
Allowable Operation Temperature	-30 to +70 °C
IP-Protection	IP 42 acc. to IEC 60529
Protection Class	Suitable for appliances with protection class II acc. to IEC 61140
Short Circuit Protection	yes
Overload protection	yes
Surge protection	yes

Product standards	UL 8750 CSA CS22.2 no. 250.0
Application standards	EN 60950-1 EN 61347-1 EN 61347-2-13
EMC emission acc. to	EN 55022 EN 61000-3-2 EN 61000-3-3
EMC immunity acc. to	EN 55024 EN 61000-4-2,3,4,5,6,8,11 light industry level (surge 2KV), criteria A

**Approvals and Compliances**

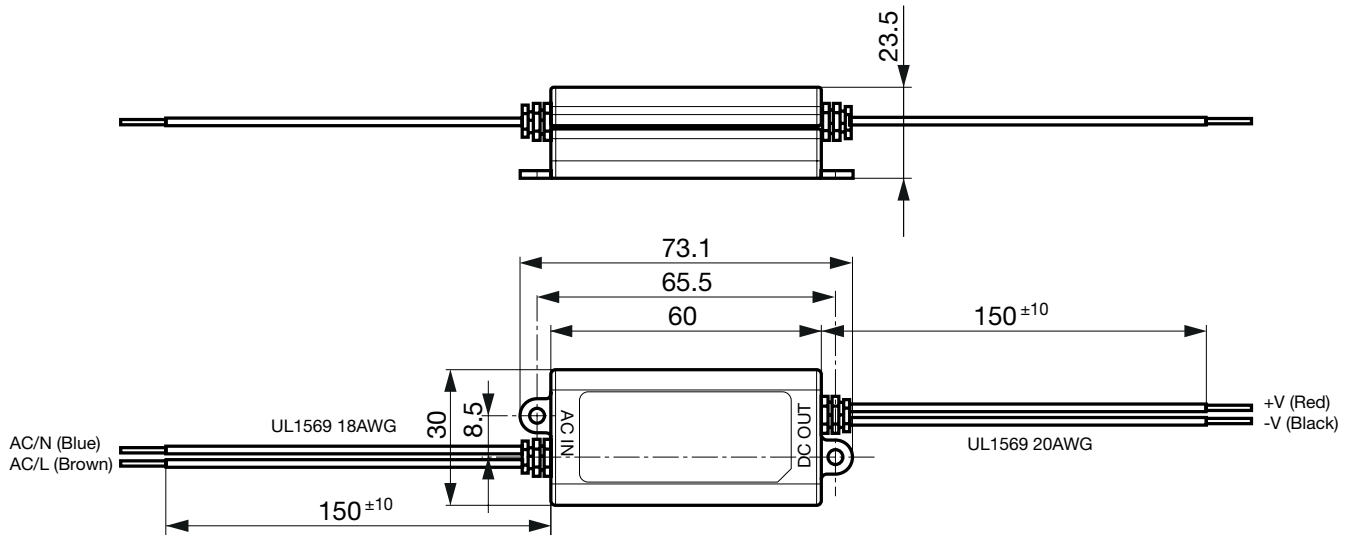
Detailed information on product approvals, code requirements, usage instructions and detailed test conditions can be looked up in [Details about Approvals](#)

**Compliances**

The product complies with following Guide Lines

Identification	Details	Initiator	Description
	<a href="#">CE declaration of conformity</a>	SCHURTER AG	The CE marking declares that the product complies with the applicable requirements laid down in the harmonisation of Community legislation on its affixing in accordance with EU Regulation 765/2008.
	RoHS	SCHURTER AG	EU Directive RoHS 2011/65/EU
	REACH	SCHURTER AG	On 1 June 2007, Regulation (EC) No 1907/2006 on the Registration, Evaluation, Authorization and Restriction of Chemicals 1 (abbreviated as "REACH") entered into force.

## Dimension [mm]



### Description

### Bestellnummer

Power Supply PSUP 24 VDC / 0...0.34A

3-108-130

Most Popular.

Availability for all products can be searched real-time: <https://www.schurter.com/en/Stock-Check/Stock-Check-SCHURTER>

### Packaging unit

5 Pcs

