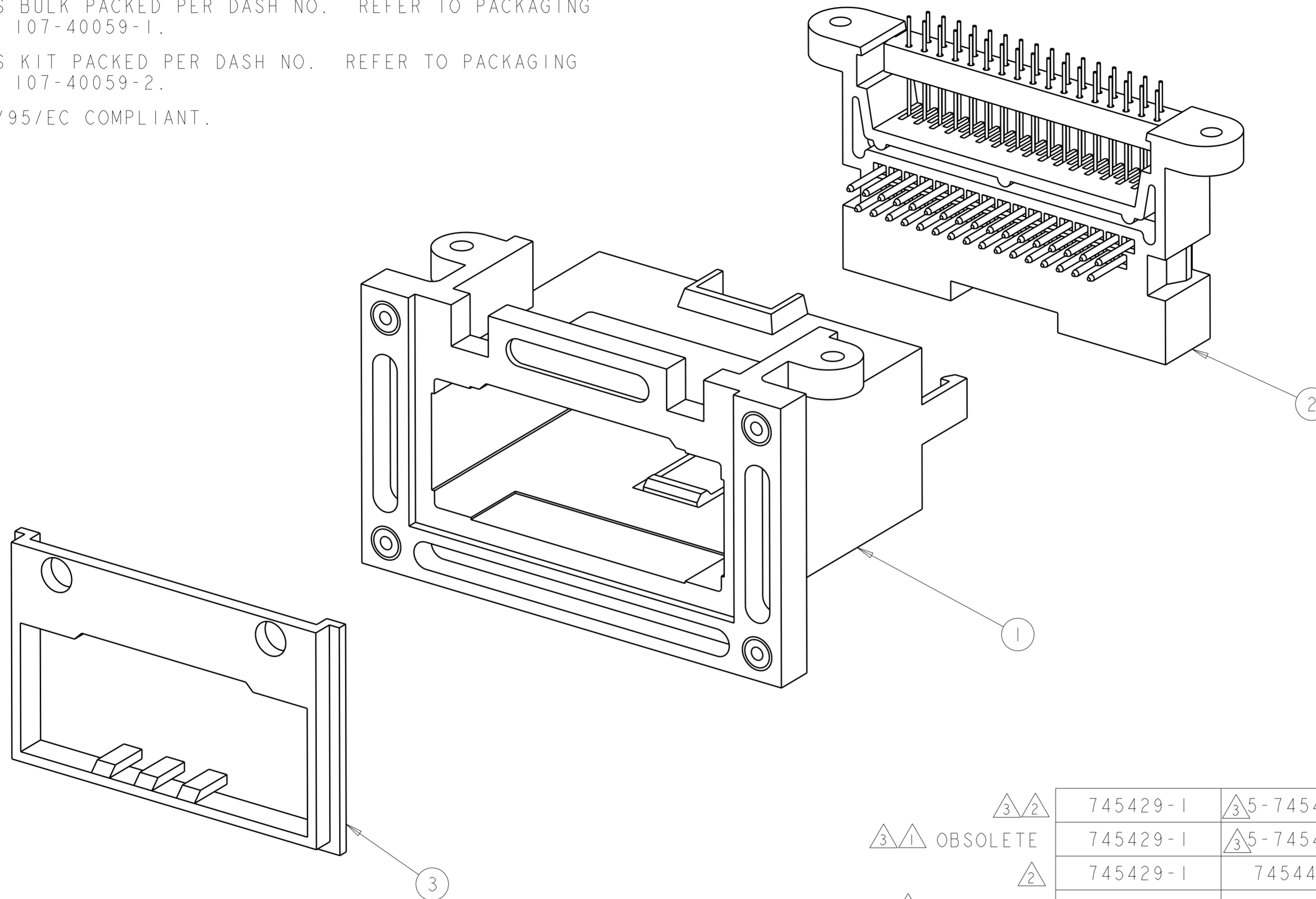


THIS DRAWING IS UNPUBLISHED. RELEASED FOR PUBLICATION 20
 © COPYRIGHT 20 BY - ALL RIGHTS RESERVED.

LOC	DIST	REVISIONS					
GP	00	P	LTR	DESCRIPTION	DATE	DWN	APVD
		F		ECO-12-010968	04OCT2012	CJV	CWR

- ① COMPONENTS BULK PACKED PER DASH NO. REFER TO PACKAGING SPEC. NO. 107-40059-1.
- ② COMPONENTS KIT PACKED PER DASH NO. REFER TO PACKAGING SPEC. NO. 107-40059-2.
- ③ ROHS 2002/95/EC COMPLIANT.



③ ②	745429-1	③ 5-745448-1	745443-1	5-745539-5		
③ ①	745429-1	③ 5-745448-1	745443-1	5-745539-1		
②	745429-1	745448-1	745443-1	745539-5		
①	745429-1	745448-1	745443-1	745539-1		
③	COVER, BACK PANEL MOUNT QTY = 1	②	PLUG ASSY QTY = 1	①	ASSY, HOLDER BODY QTY = 1	PART NUMBER

THIS DRAWING IS A CONTROLLED DOCUMENT.		DWN R BROWN 04APR2001	STE TE Connectivity	
DIMENSIONS: INCHES		CHK J OLSON 04APR2001		
TOLERANCES UNLESS OTHERWISE SPECIFIED:		APVD J OLSON 04APR2001	NAME COMPLETE HOLDER ASSY FOR AMPLIMITE CASSETTE CONNECTOR	
0 PLC ± 1 PLC ±0.1 2 PLC ±0.02 3 PLC ±0.005 4 PLC ±0.0005 ANGLES ±		PRODUCT SPEC	SIZE CAGE CODE DRAWING NO	
MATERIAL FINISH		APPLICATION SPEC	RESTRICTED TO	
		WEIGHT	A200779G-745539	
		CUSTOMER DRAWING	SCALE 2:1 SHEET 1 OF 1 REV F	