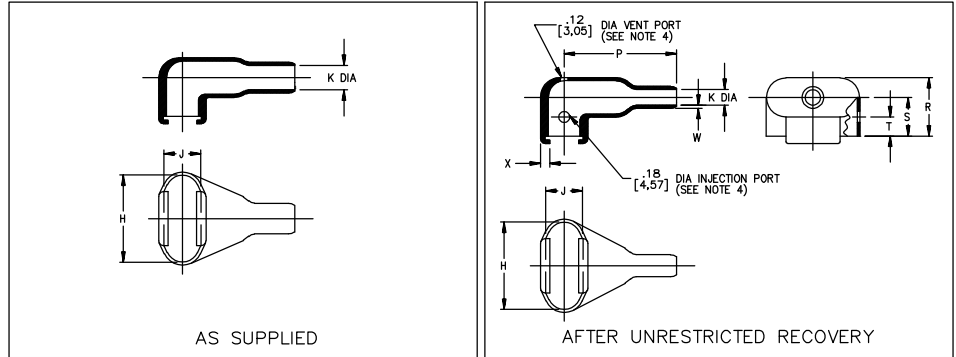


# Thermofit<sup>®</sup> Molded Parts Specification Control Drawing

Part Number : 234A1XX  
Description : Boot, Rectangular, Subminiature, 90° Side Entry

## NOTES

- All dimensions are in  $\frac{\text{inches}}{\text{[millimeters]}}$
- Dimensions appearing in table are as follows:
  - a - As Supplied
  - b - After Unrestricted Recovery
- Coating is optional. As supplied dimensions appearing in table are for uncoated parts. When coating is added, entry diameters will be reduced by .06 max.
- Molding ports are optional. When -00 modification number is specified molding ports will be located as shown.



| PART NUMBER | H              |                | J             |               | K             |              | P              | R              | S             | T             | W             | X             | This Boot Fits Cannon-Cinch |
|-------------|----------------|----------------|---------------|---------------|---------------|--------------|----------------|----------------|---------------|---------------|---------------|---------------|-----------------------------|
|             | ±5% a          | ±5% b          | ±5% a         | ±5% b         | Min           | Max          |                |                |               |               |               |               |                             |
| 234A111     | .80<br>[20,3]  | .80<br>[20,3]  | .42<br>[10,7] | .42<br>[10,7] | .31<br>[7,9]  | .16<br>[4,1] | 1.10<br>[27,9] | .73<br>[18,5]  | .50<br>[12,7] | .31<br>[7,87] | .04<br>[1,02] | .12<br>[3,05] | DE-9                        |
| 234A121     | 1.11<br>[28,2] | 1.11<br>[28,2] | .42<br>[10,7] | .42<br>[10,7] | .40<br>[10,2] | .21<br>[5,3] | 1.38<br>[35,1] | .74<br>[18,8]  | .50<br>[12,7] | .31<br>[7,87] | .04<br>[1,02] | .12<br>[3,05] | DA-15                       |
| 234A132     | 1.66<br>[42,2] | 1.66<br>[42,2] | .42<br>[10,7] | .42<br>[10,7] | .55<br>[14,0] | .25<br>[6,4] | 1.87<br>[47,5] | .79<br>[20,1]  | .56<br>[14,2] | .31<br>[7,87] | .04<br>[1,02] | .12<br>[3,05] | DB-25                       |
| 234A142     | 2.31<br>[58,7] | 2.31<br>[58,7] | .42<br>[10,7] | .42<br>[10,7] | .68<br>[17,3] | .31<br>[7,9] | 2.35<br>[59,7] | .79<br>[20,1]  | .56<br>[14,2] | .31<br>[7,87] | .04<br>[1,02] | .12<br>[3,05] | DC-37                       |
| 234A152     | 2.28<br>[57,9] | 2.28<br>[57,9] | .54<br>[13,7] | .54<br>[13,7] | .75<br>[19,1] | .36<br>[9,1] | 2.49<br>[63,2] | 1.04<br>[26,4] | .69<br>[17,5] | .31<br>[7,87] | .04<br>[1,02] | .12<br>[3,05] | DD-50                       |

**STE Raychem**  
TE Connectivity  
TE CONNECTIVITY  
300 CONSTITUTION DRIVE  
MENLO PARK, CALIFORNIA 94025

Revision : F1  
Date : 20APR11

Part Number : 234A1XX  
Description : Boot, Rectangular, Subminiature, 90° Side Entry

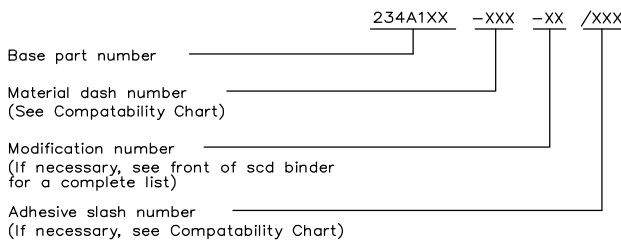
# Thermofit<sup>®</sup> Molded Parts Specification Control Drawing

Part Number : 234A1XX  
Description : Boot, Rectangular, Subminiature, 90° Side Entry

| MATERIAL DASH NO. | MATERIAL DESCRIPTION               | RT SPEC | COATING SLASH NO. | COATING S NO. | COATING DESCRIPTION |
|-------------------|------------------------------------|---------|-------------------|---------------|---------------------|
| -3                | Polyolefin, Semi-rigid             | RT-301  | /42;/86           | S-1017;S-1048 | Adhesive            |
| -4                | Polyolefin, Flexible               | RT-1304 | /42;/86           | S-1017;S-1048 | Adhesive            |
| -8                | Polyolefin Space                   | RT-1308 | N/A               |               |                     |
| -12               | *VITON, Flexible                   | RT-1312 | N/A               |               |                     |
| -25               | Elastomer, Fluid Resistant         | RT-1325 | /86               | S-1048        | Adhesive            |
| -100              | Polyolefin, Semi-flexible ZEROHAL™ | RT-1323 | /86               | S-1048        | Adhesive            |

\*VITON is a Registered Trademark of Dupont

## ORDERING INFORMATION



IF THIS DOCUMENT IS PRINTED IT BECOMES UNCONTROLLED.  
CHECK FOR THE LATEST REVISION.

THIS DRAWING IS SUBJECT TO CHANGE WITHOUT NOTICE; CONSULT YOUR NEAREST FIELD REPRESENTATIVE FOR CURRENT REVISION

**STE Raychem**  
TE Connectivity  
RAYCHEM CORPORATION  
300 CONSTITUTION DRIVE  
MENLO PARK, CALIFORNIA 94025

Revision : F1  
Date : 20APR11

Part Number : 234A1XX  
Description : Boot, Rectangular, Subminiature, 90° Side Entry  
CAD FILE MP94012