



BOARD LEVEL COOLING – Slide On 5741

Slide On 5741 is a series of slide on board level heat sinks designed to cool TO-220 devices. Representative image only.



ORDERING INFORMATION

Part Number	Device Type
574102B00000G	TO-220
574102B03300G	TO-220
574102B03700G	TO-220

HEAT SINK DETAILS

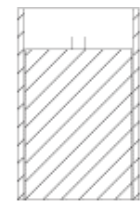
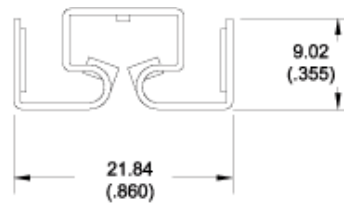
Property	Details
Material	Aluminum
Finish	Black Anodize
Device Attachment Options	Spring Action Slide On
Thermal Interface Material	-

Property	Details
Heat Sink Width (mm)	19.05
Heat Sink Length (mm)	9.02
Heat Sink Height (mm)	21.84
Heat Sink Mounting Direction	Horizontal, Vertical

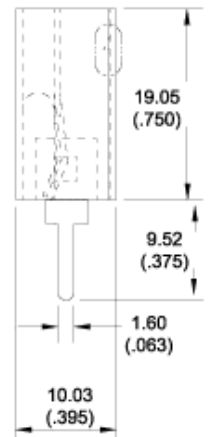
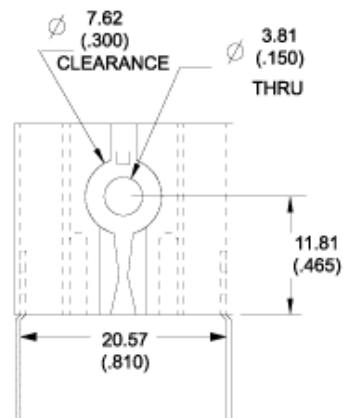
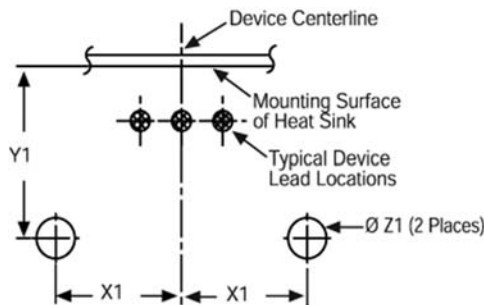
MECHANICAL & PERFORMANCE

Drawing dimensions are shown in mm, (in)

Part Number	"X" Dim	"Y" Dim	"Z" Dim
574102B00000G	-	-	-
574102B03300G	10.54 (0.415)	4.06 (0.160)	1.91 (0.075)
574102B03700G	10.54 (0.415)	4.06 (0.160)	1.91 (0.075)



Mounting Details:



Board Level Cooling – Slide On 5741

