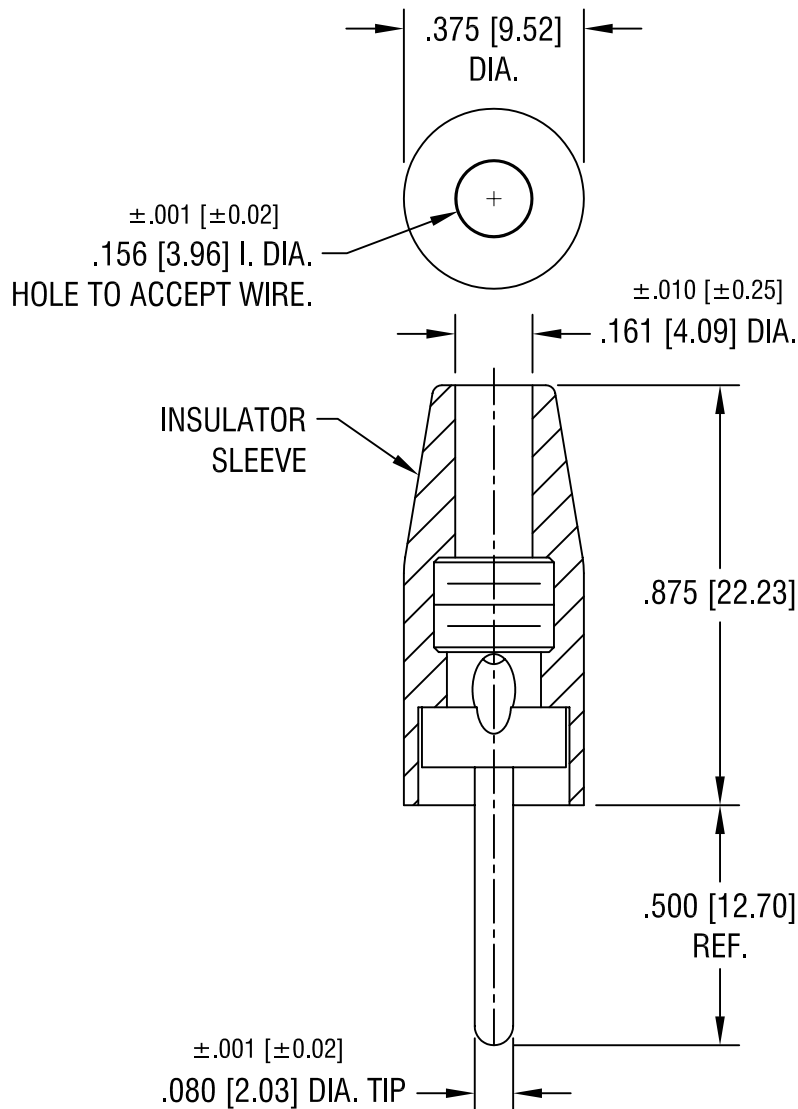


THIS DOCUMENT IS THE PROPERTY OF  
KEYSTONE ELECTRONICS CORP. AND  
SHALL NOT BE REPRODUCED, DISTRIBUTED  
OR USED AS A BASIS FOR MANUFACTURE  
WITHOUT PRIOR WRITTEN PERMISSION  
FROM KEYSTONE ELECTRONICS CORP.



| PART NO. | SLEEVE COLOR |
|----------|--------------|
| 6000     | WHITE        |
| 6001     | RED          |
| 6002     | BLACK        |
| 6003     | GREEN        |
| 6004     | YELLOW       |
| 6005     | BLUE         |

NOTES:

- TIP: MAT'L - BRASS, NICKEL PLATE  
BODY: MAT'L - NYLON 6/6 PER ASTM D4066

**KEYSTONE ELECTRONICS CORP.**

ASTORIA, N.Y. 11105-2017

|              |        |           |                            |                          |       |       |        |
|--------------|--------|-----------|----------------------------|--------------------------|-------|-------|--------|
| PART NAME    |        |           |                            | SOLDERLESS TEST TIP PLUG |       |       |        |
| MATERIAL     |        |           |                            | AS NOTED                 |       |       |        |
| FINISH       |        | AS NOTED  |                            | DRN BY                   | BOONE | DATE  | 6.8.06 |
|              |        |           |                            | APP'D                    | LN    | SCALE | 2.5X   |
| TOLERANCES   | INCH   | [MM]      | CODE                       | DWG NO.                  |       |       |        |
| DECIMAL      | ± .005 | [± 0.15 ] | C/M                        | 6000-6005                |       |       |        |
| ANGULAR ± 1° |        |           | UNLESS OTHERWISE SPECIFIED |                          |       |       |        |

| DATE | DESCRIPTION | REV. |
|------|-------------|------|
|      |             |      |