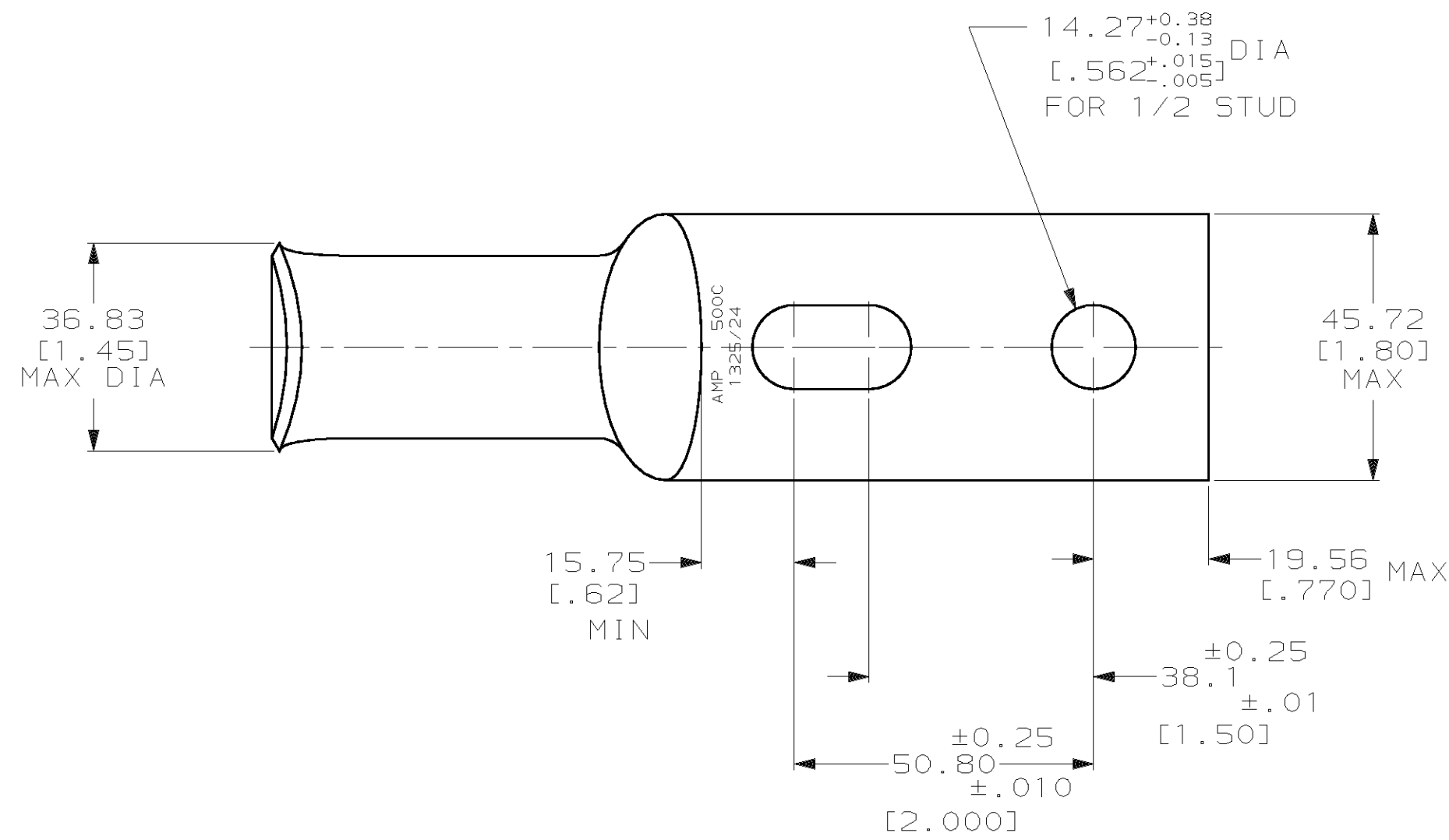
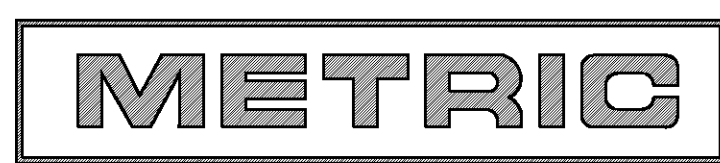
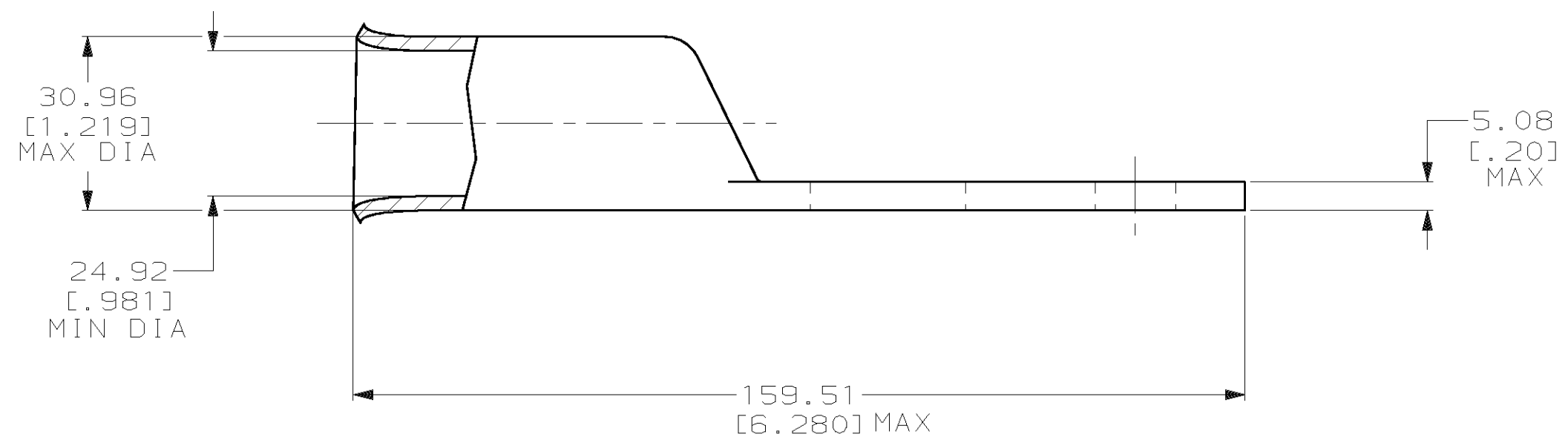


THIS DRAWING IS UNPUBLISHED. RELEASED FOR PUBLICATION, 19 .  
 © COPYRIGHT 19 BY AMP INCORPORATED. ALL INTERNATIONAL RIGHTS RESERVED.

LOC		DIST		P		F		REVISIONS			
ZONE	LTR	DESCRIPTION				DATE	APPD				
G	86					0	REL PER 063A-0649-02	28OCT02	JR		



1 CIRCULAR MIL RANGE: 450-550 MCM  
 2 TIN PL 0.00381 [0.00150] MIN THK PER ASTM B-545



DO NOT SCALE PRINT. UNLESS SPECIFIED DIMENSIONS IN mm [INCHES] TOLERANCES ON : 2 PLC DEC ± 0.51 [0.020] 3 PLC DEC ± - ANGLES ± -		DR 16MAY02 JR RUTH	AMP INCORPORATED Harrisburg, Pa. 17105	
MATERIAL ANNEALED COPPER ASTM B-188		CHK 16MAY02 MS FEHER		
FINISH △		APPD 16MAY02 M SPICER	NAME TERMINAL, AMPOWER, WIRE SIZE: 500 MCM	
APPLICATION SPEC -		APPD 16MAY02 M SPICER	SIZE C	CAGE CODE 00779
WEIGHT .572 LB		PRODUCT SPEC 108-30200	SCALE 1:1	DRAWING NO 696457
				SHEET 1 OF 1