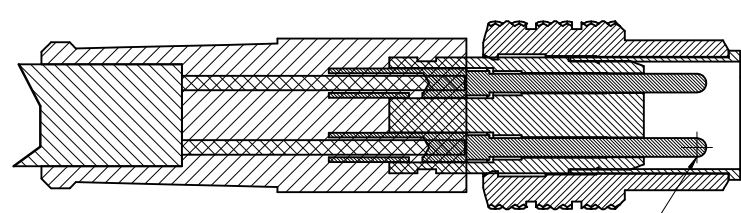


SEC Z-Z
FOR 3 POLE ONLY



SEC Y-Y
FOR 4-5 POLE ONLY

MALE INSERT FRONT VIEW		
3 POLE	4 POLE	5 POLE
1 BROWN 3 BLUE 4 BLACK	1 BROWN 2 WHITE 3 BLUE 4 BLACK	1 BROWN 2 WHITE 3 BLUE 4 BLACK 5 GREY

ENTER DESCRIPTION EC NO: WEU2012-0001 DRWNR: SCHIEBER 2011/06/22 CHKDR: ISSNER 2011/07/13 APPR: CBURGER 2011/07/20	DESCRIPTION REV B
--	----------------------

QUALITY SYMBOLS ▽=0 ▽=0	GENERAL TOLERANCES (UNLESS SPECIFIED) <table border="1"> <tr> <th></th> <th>mm</th> <th>INCH</th> </tr> <tr> <td>4 PLACES</td> <td>± .01</td> <td>± .0004</td> </tr> <tr> <td>3 PLACES</td> <td>± .02</td> <td>± .0008</td> </tr> <tr> <td>2 PLACES</td> <td>± .03</td> <td>± .0012</td> </tr> <tr> <td>1 PLACE</td> <td>± .05</td> <td>± .0020</td> </tr> </table> ANGULAR ±1/2° DRAFT WHERE APPLICABLE MUST REMAIN WITHIN DIMENSIONS		mm	INCH	4 PLACES	± .01	± .0004	3 PLACES	± .02	± .0008	2 PLACES	± .03	± .0012	1 PLACE	± .05	± .0020
	mm	INCH														
4 PLACES	± .01	± .0004														
3 PLACES	± .02	± .0008														
2 PLACES	± .03	± .0012														
1 PLACE	± .05	± .0020														

DIMENSION STYLE IN/MM DRAWN BY BWOODMAN CHECKED BY RSTONE APPROVED BY JFMURPHY	DATE 18/08/09 DATE 18/08/09 DATE 18/08/09
---	--

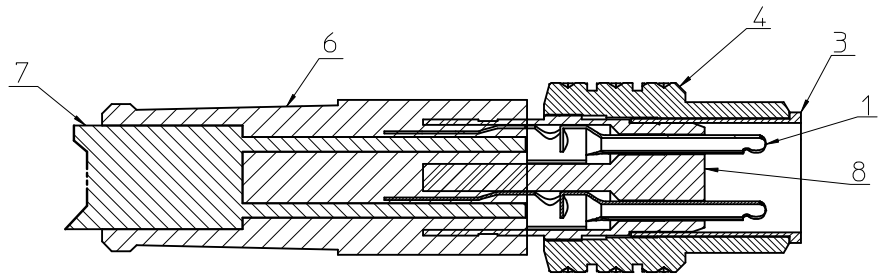
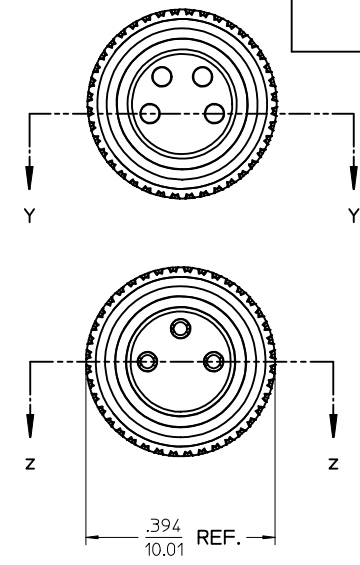
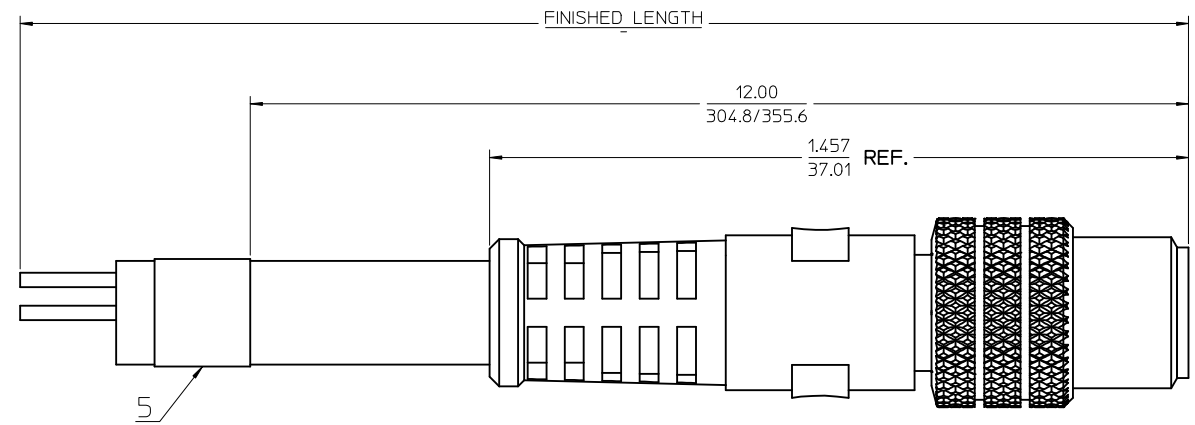
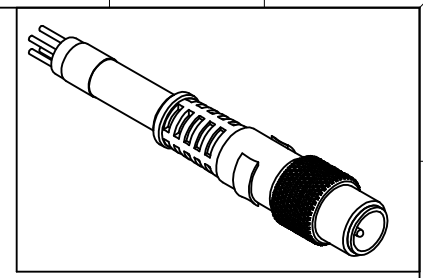
SCALE 5:1	DESIGN UNITS INCH	THIRD ANGLE PROJECTION
CSE M8 XP MA STR PUR PVC UN		
MOLEX INCORPORATED		SHEET NO. 1 OF 2
SD-120027-002		
THIS DRAWING CONTAINS INFORMATION THAT IS PROPRIETARY TO MOLEX INCORPORATED AND SHOULD NOT BE USED WITHOUT WRITTEN PERMISSION		

				ASSEMBLY		
				3 POLE	4 POLE	5 POLE
SL.No	DESCRIPTION	MATERIAL	FINISH	QTY		
1	STAMP & FORM CONTACT	COPPER ALLOY	GOLD PLATED	3		
2	SCREW MACHINE CONTACT	COPPER ALLOY	GOLD PLATED		4	5
3	SLEEVE	BRASS	NICKEL PLATED			
4	COUPLING NUT	BRASS	NICKEL PLATED			
5	LABEL	PLASTIC FILM	BLACK/YELLOW	1	1	1
6	OVER MOLD	TPE	YELLOW			
7	CABLE, 24 AWG, 3 CONDUCTOR	PUR JACKET	BLACK	1		
	CABLE, 24 AWG, 4 CONDUCTOR	PUR JACKET	BLACK		1	
	CABLE, 24 AWG, 4 CONDUCTOR	PVC JACKET	BLACK		1	
	CABLE, 24 AWG, 5 CONDUCTOR	PUR JACKET	BLACK			1
8	INSERT MALE 3 POLE	PUR	BLACK	1		
	INSERT MALE 4 POLE	PUR	BLACK		1	
	INSERT MALE 5 POLE	PUR	BLACK			1

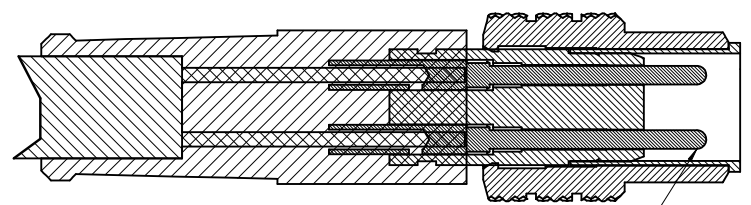
PART NUMBER	DESCRIPTION	FINISHED LENGTH	MATERIAL
1200271079	403006P02M010	1M +60MM -0 [3' 3" +2.19" -0]	PUR
1200270911	403006P02M020	2M +90MM -0 [6' 6" +3.5" -0]	PUR
1200270453	403006P02M040	4M +150MM -0 [13' 1" +6" -0]	PUR
1200860474	403006P02M050	5M +150MM -0 [16' 4" +6" -0]	PUR
1200860583	403006P02M060	6M +150MM -0 [19' 7" +6" -0]	PUR
1200270933	403006P02M100	10M +300MM -0 [32' 4" +12" -0]	PUR
1200868372	404006P02M010	1M +60MM -0 [3' 3" +2.19" -0]	PUR
1200868373	404006P02M020	2M +90MM -0 [6' 6" +3.5" -0]	PUR
1200860584	404006P02M040	4M +150MM -0 [13' 1" +6" -0]	PUR
1200868375	404006P02M050	5M +150MM -0 [16' 4" +6" -0]	PUR
1200860585	404006P02M060	6M +150MM -0 [19' 7" +6" -0]	PUR
1200271137	404006P02M100	10M +300MM -0 [32' 4" +12" -0]	PUR
1200270752	405006P02M020	2M +90MM -0 [6' 6" +3.5" -0]	PUR
1200860586	405006P02M040	4M +150MM -0 [13' 1" +6" -0]	PUR
1200270657	405006P02M050	5M +150MM -0 [16' 4" +6" -0]	PUR
1200860587	405006P02M060	6M +150MM -0 [19' 7" +6" -0]	PUR
1200860588	405006P02M100	10M +300MM -0 [32' 4" +12" -0]	PUR
1200868161	404006E02M010	1M +60MM -0 [3' 3" +2.19" -0]	PVC
1200868368	404006E02M020	2M +90MM -0 [6' 6" +3.5" -0]	PVC
1200270376	404006E02M050	5M +150MM -0 [16' 4" +6" -0]	PVC

SPECIFICATION
Protection Class - IP67
Voltage Rating - 3 Pole/60V, 4+5 Pole/30V
Contact Current Rating - 3 Amps
Wires: 0.25mm ² PVC/PUR

ENTER DESCRIPTION EC NO: WEU2012-0001 DRAWN BY: DRW:RSCHIEBER 2011/06/22 CHKD:REISSNER 2011/07/13 APPR:CBURGER 2011/07/20 B	QUALITY SYMBOLS ▽=0 ▽=0	GENERAL TOLERANCES (UNLESS SPECIFIED)		DIMENSION STYLE IN/MM		SCALE 5:1	DESIGN UNITS INCH	THIRD ANGLE PROJECTION
		4 PLACES ± --- ± --- 3 PLACES ± --- ± --- 2 PLACES ± --- ± .01 1 PLACE ± 0.3 ± --- ANGULAR ± 1/2°	mm INCH	DRAWN BY BWOODMAN	DATE 18/08/09	TITLE CSE M8 XP MA STR PUR PVC UN		
		DRAFT WHERE APPLICABLE MUST REMAIN WITHIN DIMENSIONS	APPROVED BY JFMURPHY	DATE 18/08/09	MATERIAL NO. SEE CHART	DOCUMENT NO. SD-120027-002		
		SIZE A2	THIS DRAWING CONTAINS INFORMATION THAT IS PROPRIETARY TO MOLEX INCORPORATED AND SHOULD NOT BE USED WITHOUT WRITTEN PERMISSION					



SEC Z-Z
FOR 3 POLE ONLY



SEC Y-Y
FOR 4-5 POLE ONLY

MALE INSERT FRONT VIEW		
3 POLE	4 POLE	5 POLE
1 BROWN 3 BLUE 4 BLACK	1 BROWN 2 WHITE 3 BLUE 4 BLACK	1 BROWN 2 WHITE 3 BLUE 4 BLACK 5 GREY

ENTER DESCRIPTION EC NO: MNA2009-0840 DRAWN: SG CHKD: APPR: JFMURPHY 2009/07/14 2009/07/20	DESCRIPTION 2009/07/20
--	---------------------------

QUALITY SYMBOLS ▽=0 ▽=0	GENERAL TOLERANCES (UNLESS SPECIFIED) <table border="1"> <tr> <th></th> <th>mm</th> <th>INCH</th> </tr> <tr> <td>4 PLACES</td> <td>± .005</td> <td>± .0002</td> </tr> <tr> <td>3 PLACES</td> <td>± .005</td> <td>± .0002</td> </tr> <tr> <td>2 PLACES</td> <td>± .005</td> <td>± .0002</td> </tr> <tr> <td>1 PLACE</td> <td>± .005</td> <td>± .0002</td> </tr> </table> ANGULAR ±1/2° DRAFT WHERE APPLICABLE MUST REMAIN WITHIN DIMENSIONS		mm	INCH	4 PLACES	± .005	± .0002	3 PLACES	± .005	± .0002	2 PLACES	± .005	± .0002	1 PLACE	± .005	± .0002
	mm	INCH														
4 PLACES	± .005	± .0002														
3 PLACES	± .005	± .0002														
2 PLACES	± .005	± .0002														
1 PLACE	± .005	± .0002														

DIMENSION STYLE IN/MM DRAWN BY NKUMAR01 CHECKED BY BWOODMAN APPROVED BY JFMURPHY	DATE 14/07/09 DATE 14/07/09 DATE 14/07/09
---	--

SCALE 5:1 DESIGN UNITS INCH THIRD ANGLE PROJECTION	TITLE NC 3P M/MP 2M COUPLER 24AWG PV	MATERIAL NO. SEE CHART SIZE C	DOCUMENT NO. SD-120086-132 SHEET NO. 1 OF 2
--	--	--	--

ASSEMBLY		
3 POLE	4 POLE	5 POLE

SL.No	DESCRIPTION	MATERIAL	FINISH	QTY		
1	STAMP & FORM CONTACT	COPPER ALLOY	GOLD PLATED	3		
2	SCREW MACHINE CONTACT	COPPER ALLOY	GOLD PLATED		4	5
3	SLEEVE	BRASS	NICKEL PLATED	1	1	1
4	COUPLING NUT	BRASS	NICKEL PLATED			
5	LABEL	PLASTIC FILM	BLACK/YELLOW			
6	OVER MOLD	TPE	YELLOW			
7	CABLE, 24 AWG, 3 CONDUCTOR	PVC JACKET	YELLOW	1		
	CABLE, 24 AWG, 4 CONDUCTOR	PVC JACKET	YELLOW		1	
	CABLE, 24 AWG, 5 CONDUCTOR	PVC JACKET	YELLOW			1
8	INSERT MALE 3 POLE	PUR	BLACK	1		
	INSERT MALE 4 POLE	PUR	BLACK		1	
	INSERT MALE 5 POLE	PUR	BLACK			1

PART NUMBER	DESCRIPTION	FINISHED LENGTH
1200860132	403006A10M020	2M +90MM -0 [6' 6" +3.5" -0]
1200860133	403006A10M040	4M +150MM -0 [13' 1" +6" -0]
1200860134	403006A10M050	5M +150MM -0 [16' 4" +6" -0]
1200860575	403006A10M060	6M +150MM -0 [19' 7" +6" -0]
1200860135	403006A10M100	10M +300MM -0 [32' 4" +12" -0]
1200860183	404006A10M020	2M +90MM -0 [6' 6" +3.5" -0]
1200860184	404006A10M040	4M +150MM -0 [13' 1" +6" -0]
1200860185	404006A10M050	5M +150MM -0 [16' 4" +6" -0]
1200860576	404006A10M060	6M +150MM -0 [19' 7" +6" -0]
1200860577	404006A10M100	10M +300MM -0 [32' 4" +12" -0]
1200860206	405006A10M020	2M +90MM -0 [6' 6" +3.5" -0]
1200860207	405006A10M040	4M +150MM -0 [13' 1" +6" -0]
1200860208	405006A10M050	5M +150MM -0 [16' 4" +6" -0]
1200860541	405006A10M060	6M +150MM -0 [19' 7" +6" -0]
1200860579	405006A10M100	10M +300MM -0 [32' 4" +12" -0]

ENTER DESCRIPTION
 EC NO: MNA2009-0840 2009/07/14
 DRAWN/SG
 CHKD:
 APPR: JFMURPHY 2009/07/20
 REV DESCRIPTION

QUALITY SYMBOLS
 ▽=0
 ▽=0
 DRAFT WHERE APPLICABLE
 MUST REMAIN
 WITHIN DIMENSIONS

GENERAL TOLERANCES (UNLESS SPECIFIED)

	mm	INCH
4 PLACES	± ---	± ---
3 PLACES	± ---	± ---
2 PLACES	± ---	± ---
1 PLACE	± ---	± ---

 ANGULAR ±1/2°

DIMENSION STYLE IN/MM
 SCALE 5:1
 DESIGN UNITS INCH
 THIRD ANGLE PROJECTION
 DRAWN BY NKUMAR01 DATE 14/07/09
 CHECKED BY BWOODMAN DATE 14/07/09
 APPROVED BY JFMURPHY DATE 14/07/09
 MATERIAL NO. 9999999999
 DOCUMENT NO. SD-120086-132
 SHEET NO. 2 OF 2
 THIS DRAWING CONTAINS INFORMATION THAT IS PROPRIETARY TO MOLEX INCORPORATED AND SHOULD NOT BE USED WITHOUT WRITTEN PERMISSION