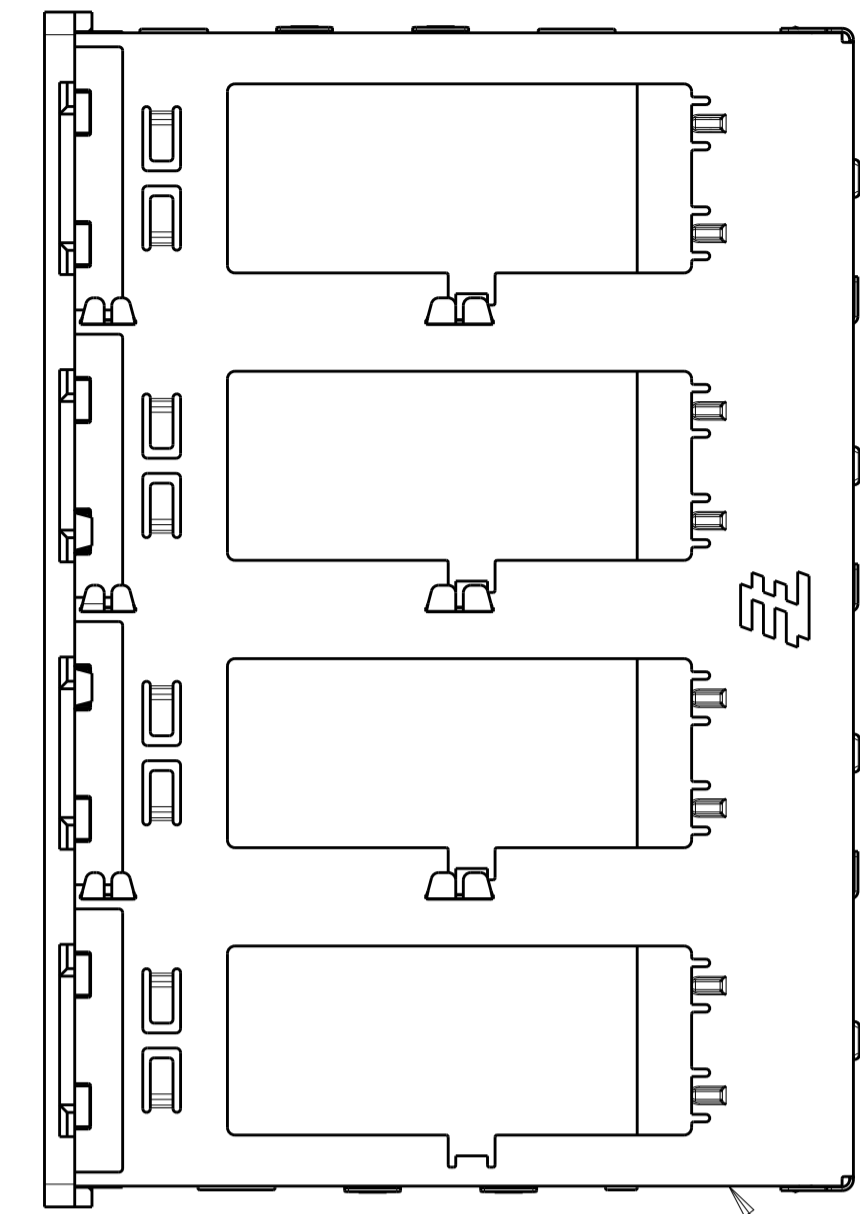
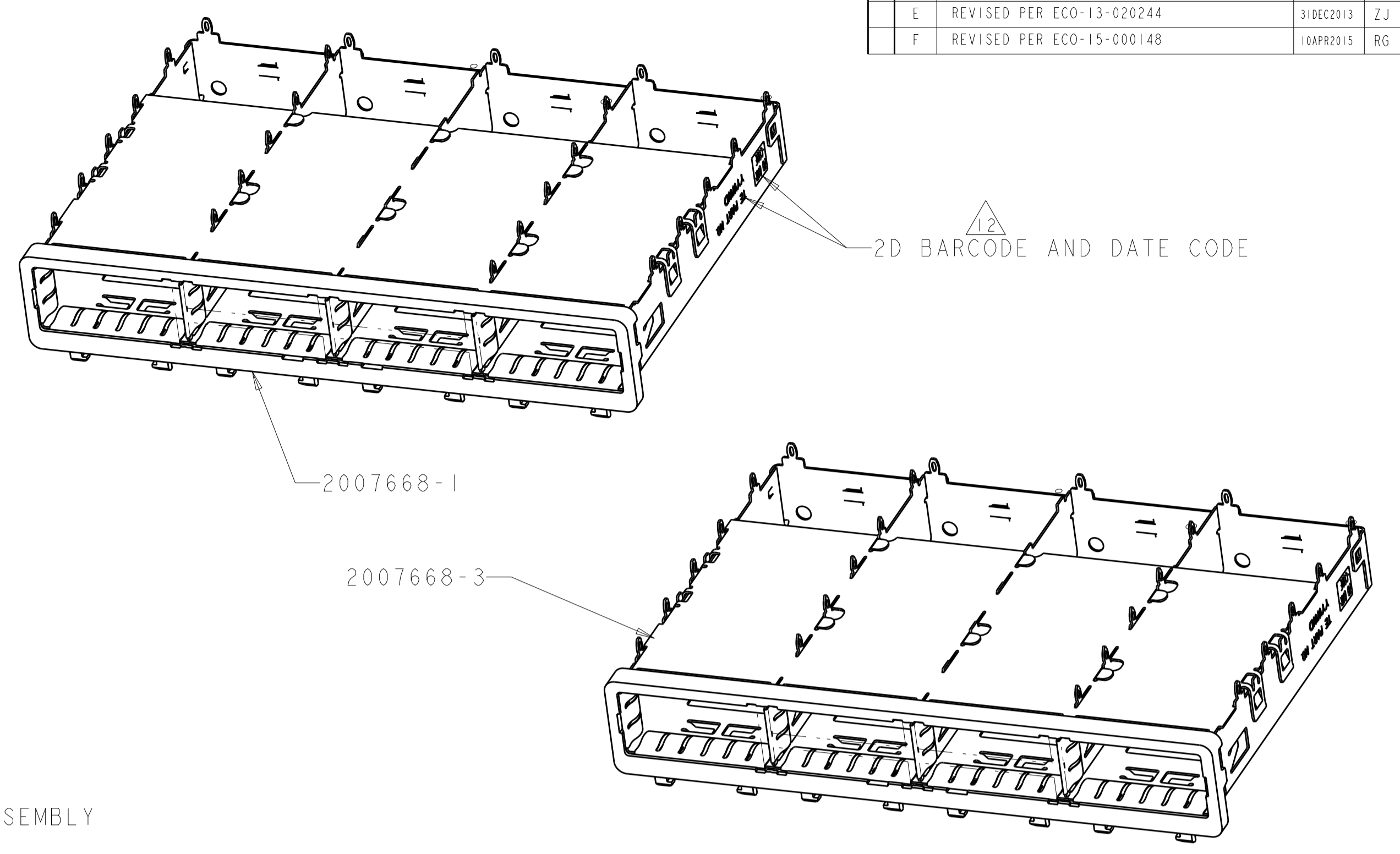


LOC	DIST	REVISIONS			
P	LTN	DESCRIPTION	DATE	DMN	APVD
C		REVISED PER ECO-10-018045	03NOV2010	CJV	EJB
D		REVISED PER ECO-12-003841	15MAR2012	TY	KS
E		REVISED PER ECO-13-020244	31DEC2013	ZJ	JY
F		REVISED PER ECO-15-000148	10APR2015	RG	MC

- 1 SURFACE TRACES PERMITTED WITHIN THIS AREA EXCEPT WHERE CAGE STANDOFFS, SHOWN IN DETAIL S, CONTACT PC BOARD.
- 2 PITCH BETWEEN PORTS OF ONE 1X4 CAGE.
- 3 SPACING BETWEEN CAGES ON THE SAME PC BOARD. TO BE SPECIFIED BY CUSTOMER, MUST COMPLY WITH MINIMUM DIMENSIONS SHOWN.
- 4 REFERENCE APPLICATION SPEC 114-13218 FOR RECOMMENDED DRILL HOLE DIAMETER AND PLATING THICKNESS.
- 5 UNPLATED THRU HOLE.
- 6 DATUM AND BASIC DIMENSION ESTABLISHED BY CUSTOMER.
- 7 DATUM -A- IS TOP SURFACE OF THE HOST BOARD.
- 8 DIMENSION C IS THE NOMINAL THICKNESS OF CUSTOMER SUPPLIED PC BOARD. MINIMUM PC BOARD THICKNESS:
 SINGLE SIDED: 1.45mm
 DOUBLE SIDED: 2.2mm PER QSFP
- 9. MATES WITH QSFP MSA COMPATIBLE TRANSCEIVER.
- 10 BASELINE FOR THE DIMENSION IS CENTER OF COMPLIANT PIN HOLE.
- 11 LED ON HOST BOARD. QUANTITY, POSITION, AND GEOMETRY DEPENDS ON CHOICE OF LIGHT PIPES.
- 12 2D BARCODE AND DATE CODE (YYWWD) MARKED APPROXIMATELY AS SHOWN.
- 13 REFERENCE APP SPEC 114-13218 FOR GASKET THICKNESS CALCULATION.
- 14 MATERIAL:
 CAGE ASSEMBLY: NICKEL SILVER, 0.25 THICK
 EMI SPRINGS: COPPER ALLOY
 FRONT FLANGE: ZINC ALLOY.
- 15 FINISH:
 EMI SPRINGS: 2µm MINIMUM TIN
 FRONT FLANGE: 3µm MINIMUM TIN OVER 1.27µm MINIMUM NICKEL OVER 5.08µm MINIMUM COPPER.
- 16 HOLES ARE OPTIONAL WHEN PINS ON CENTRAL DIVIDER ARE REMOVED.



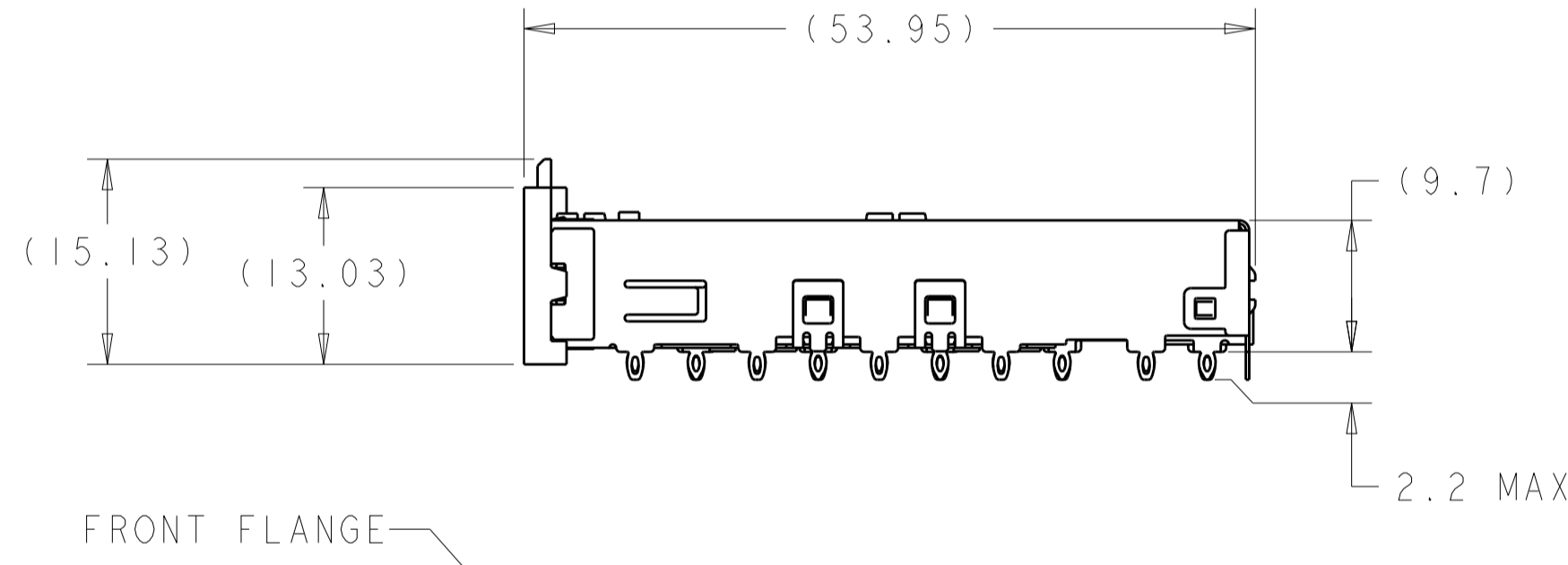
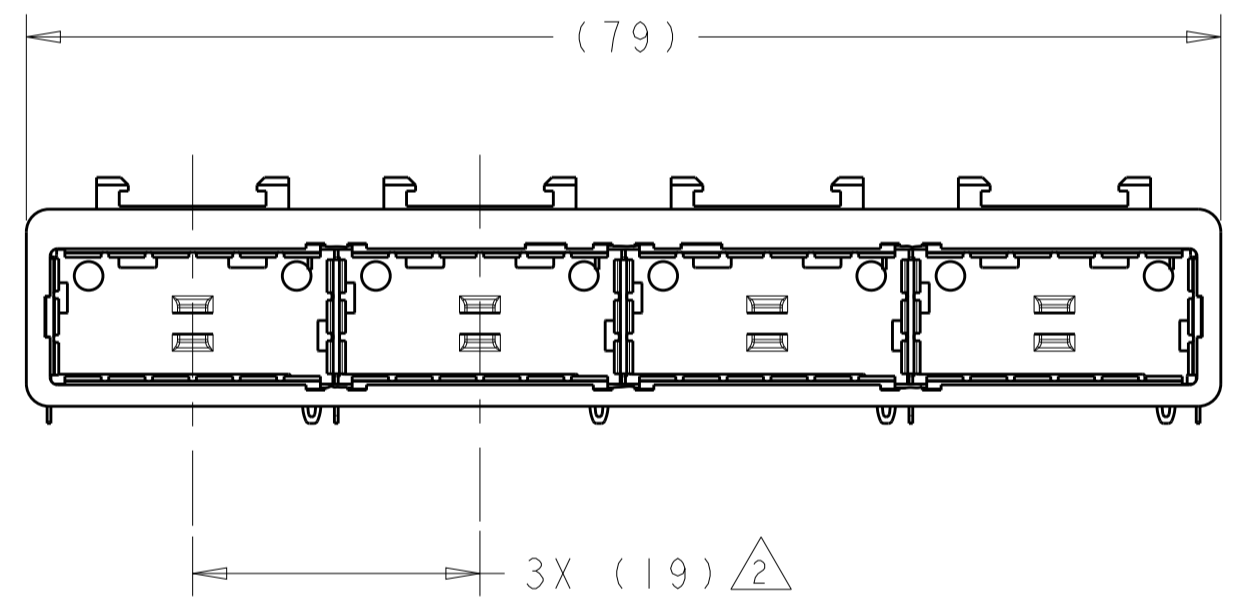
EMI SPRINGS CAGE ASSEMBLY



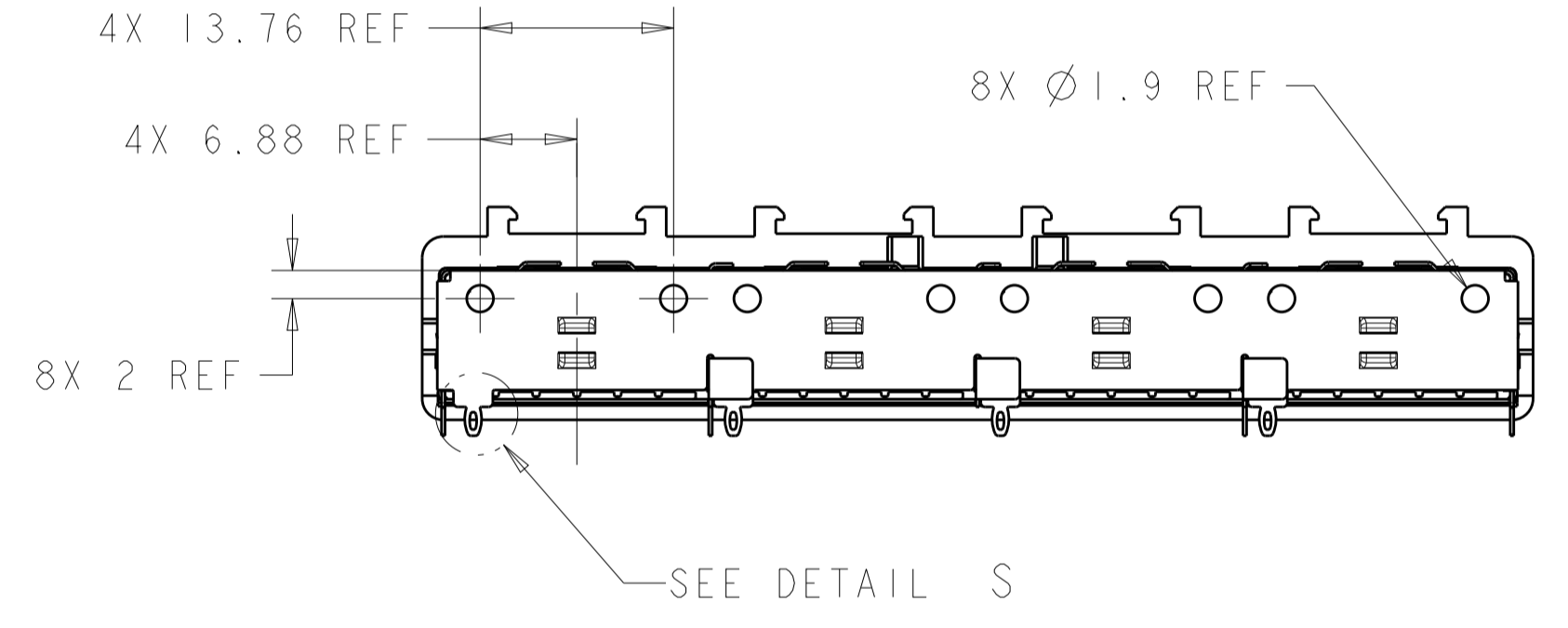
2D BARCODE AND DATE CODE

2007668-1

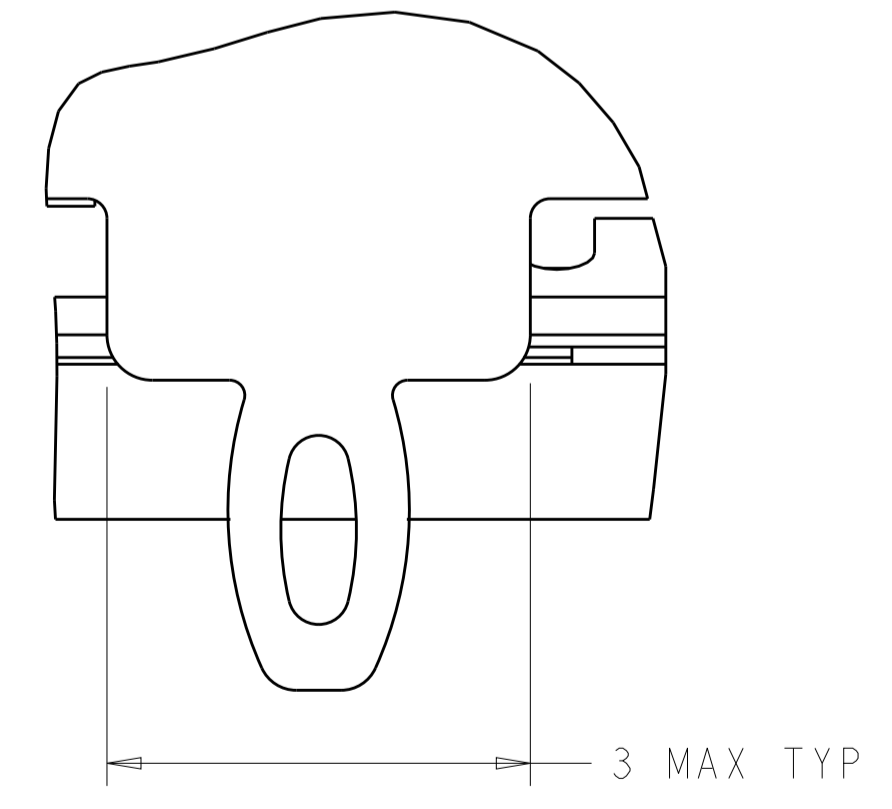
2007668-3



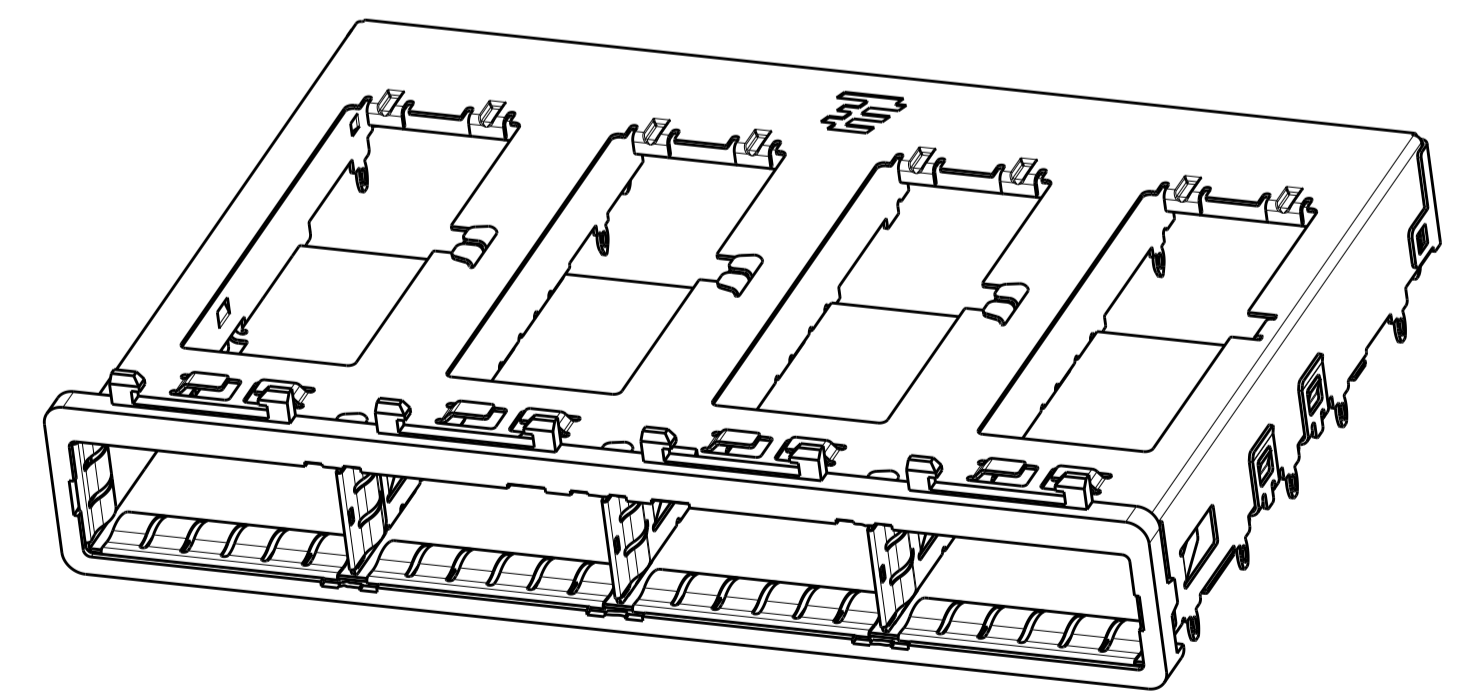
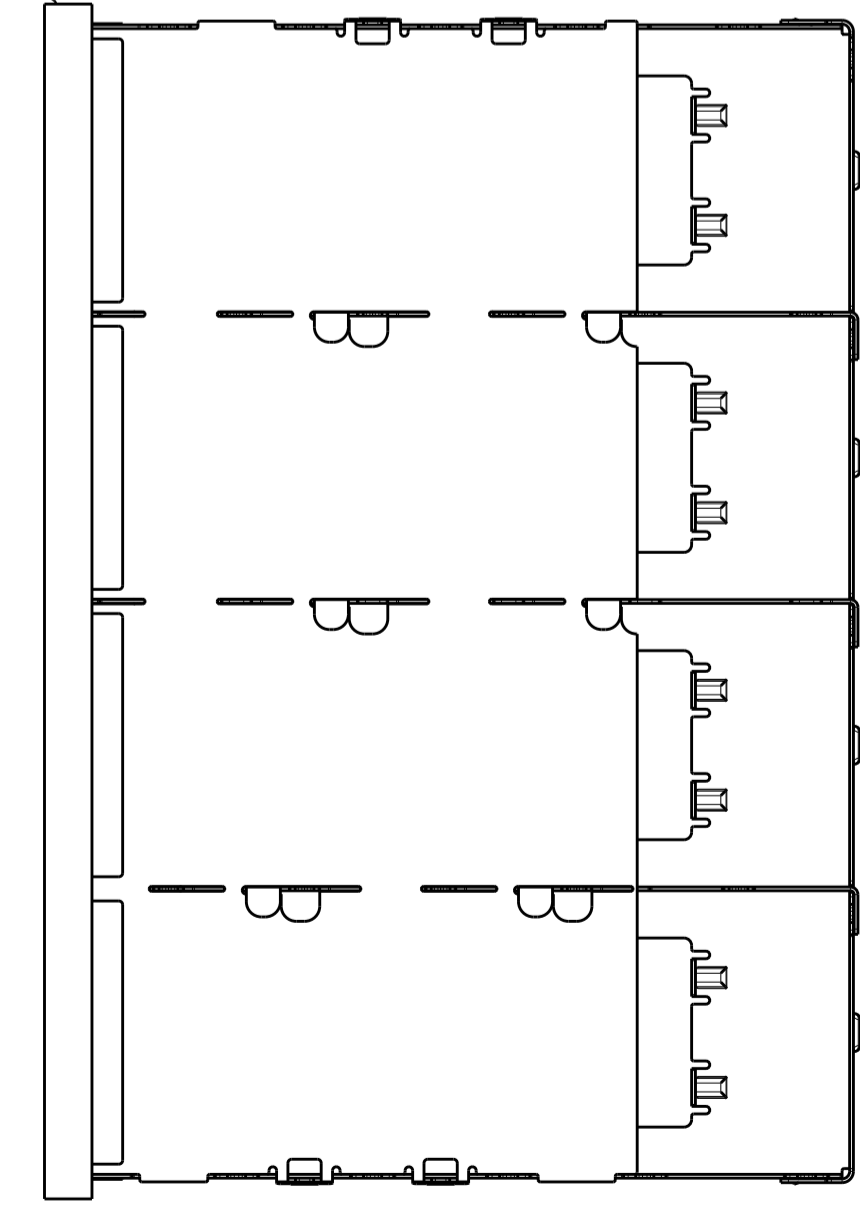
FRONT FLANGE



SEE DETAIL S



DETAIL S SCALE 20:1

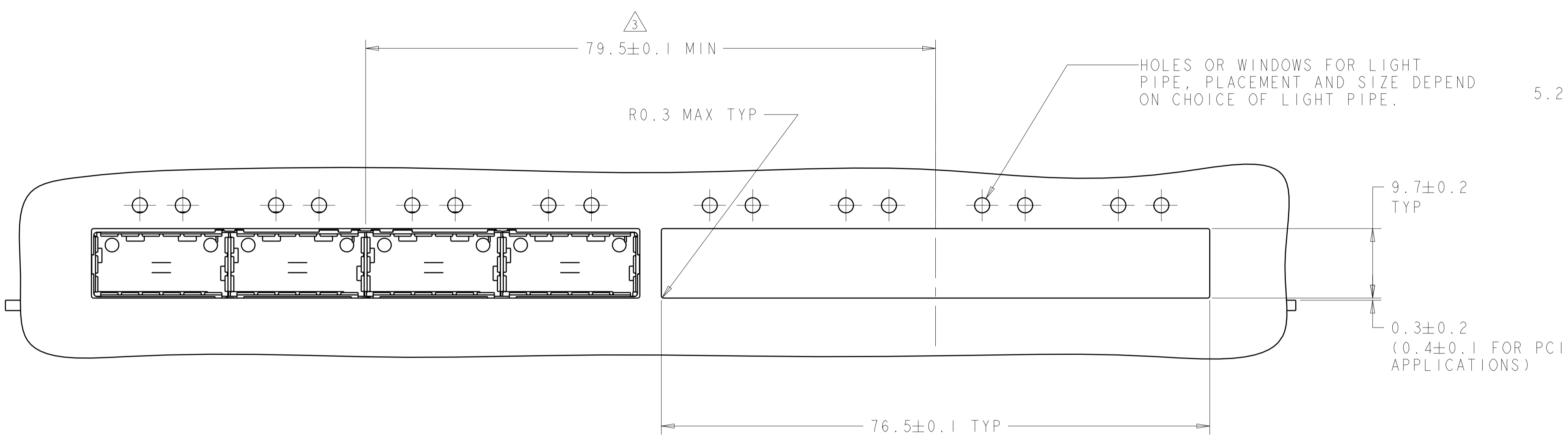


2007668-3
2007668-1
PART NUMBER

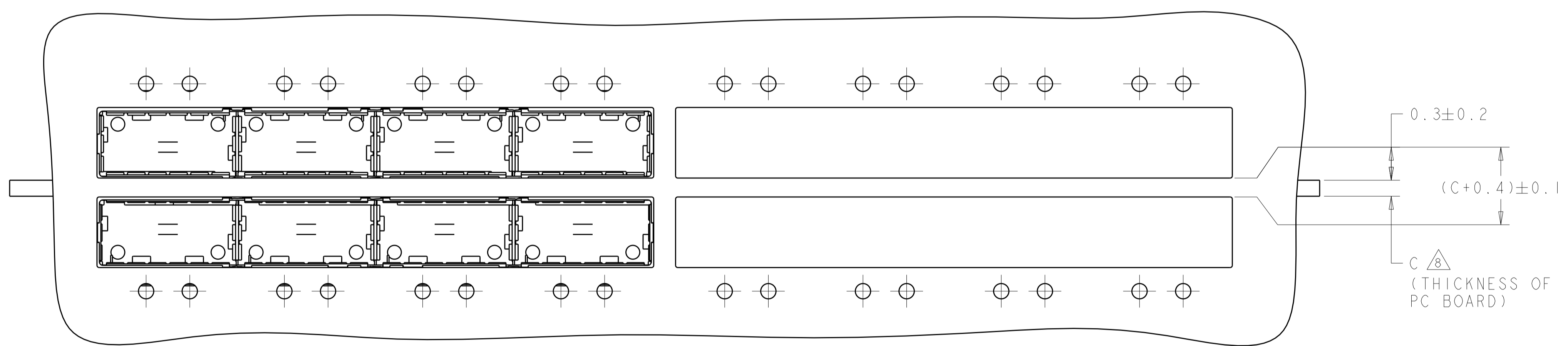
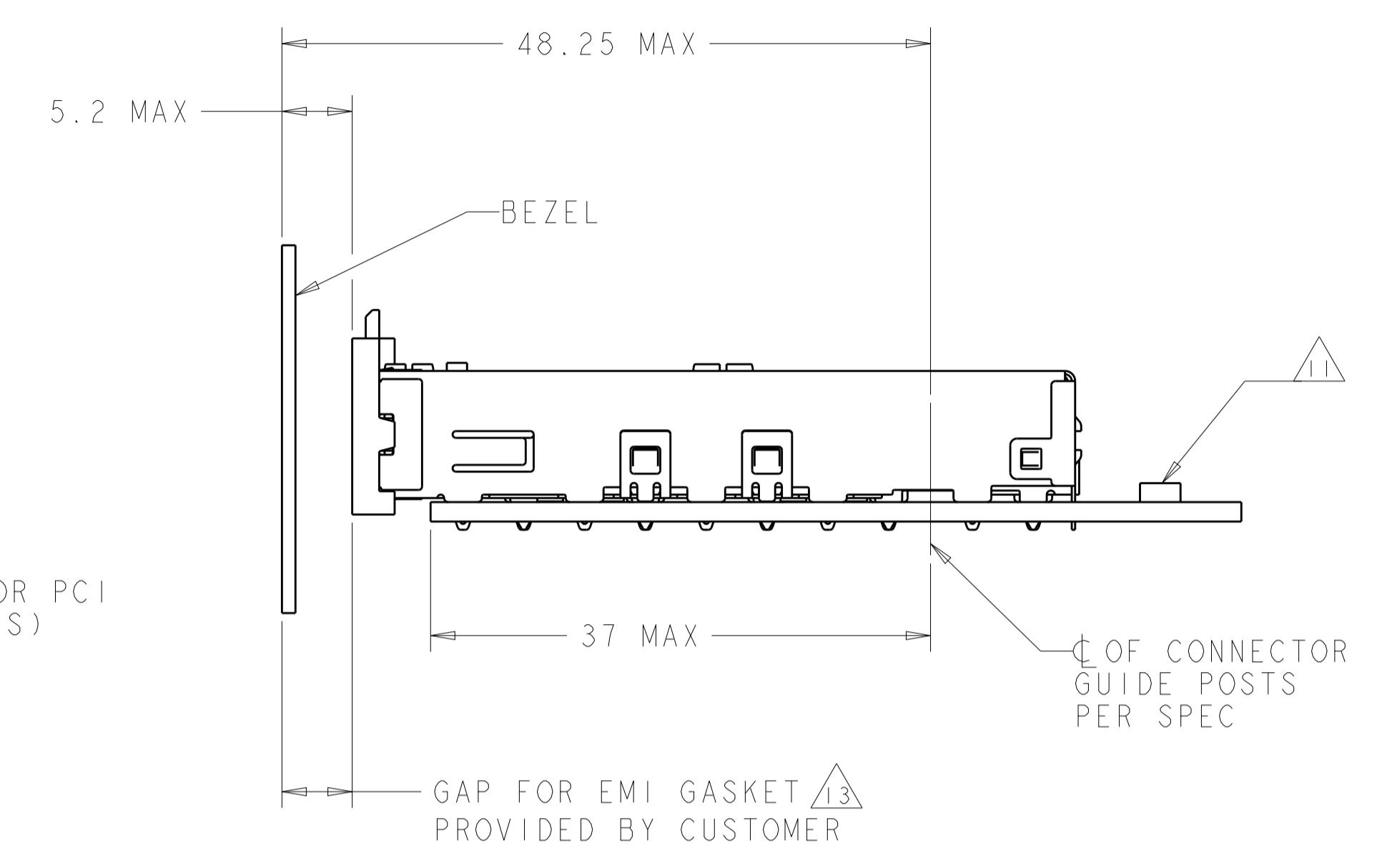
THIS DRAWING IS A CONTROLLED DOCUMENT.		DMN C. VALENTINE 17APR2008	TE Connectivity	
DIMENSIONS:		CHK E. BRIGHT 17APR2008	NAME 1X4 CAGE ASSEMBLY, BEHIND BEZEL, W/ LIGHT PIPE BRACKET, QSFP	
mm	TOLERANCES UNLESS OTHERWISE SPECIFIED:	APVD E. BRIGHT 17APR2008	PRODUCT SPEC 108-2286	
0 PLC	±	APPLICATION SPEC 114-13218	SIZE CAGE CODE DRAWING NO A100779C=2007668	
1 PLC	±0.1	WEIGHT	RESTRICTED TO	
2 PLC	±0.1	CUSTOMER DRAWING	SCALE 2:1 SHEET 1 OF 4 REV F	
3 PLC	±0.013			
4 PLC	±0.0001			
ANGLES	±			
MATERIAL	FINISH			
14	15			

LOC	DIST	REV	DATE	BY	APPV
GP	00				

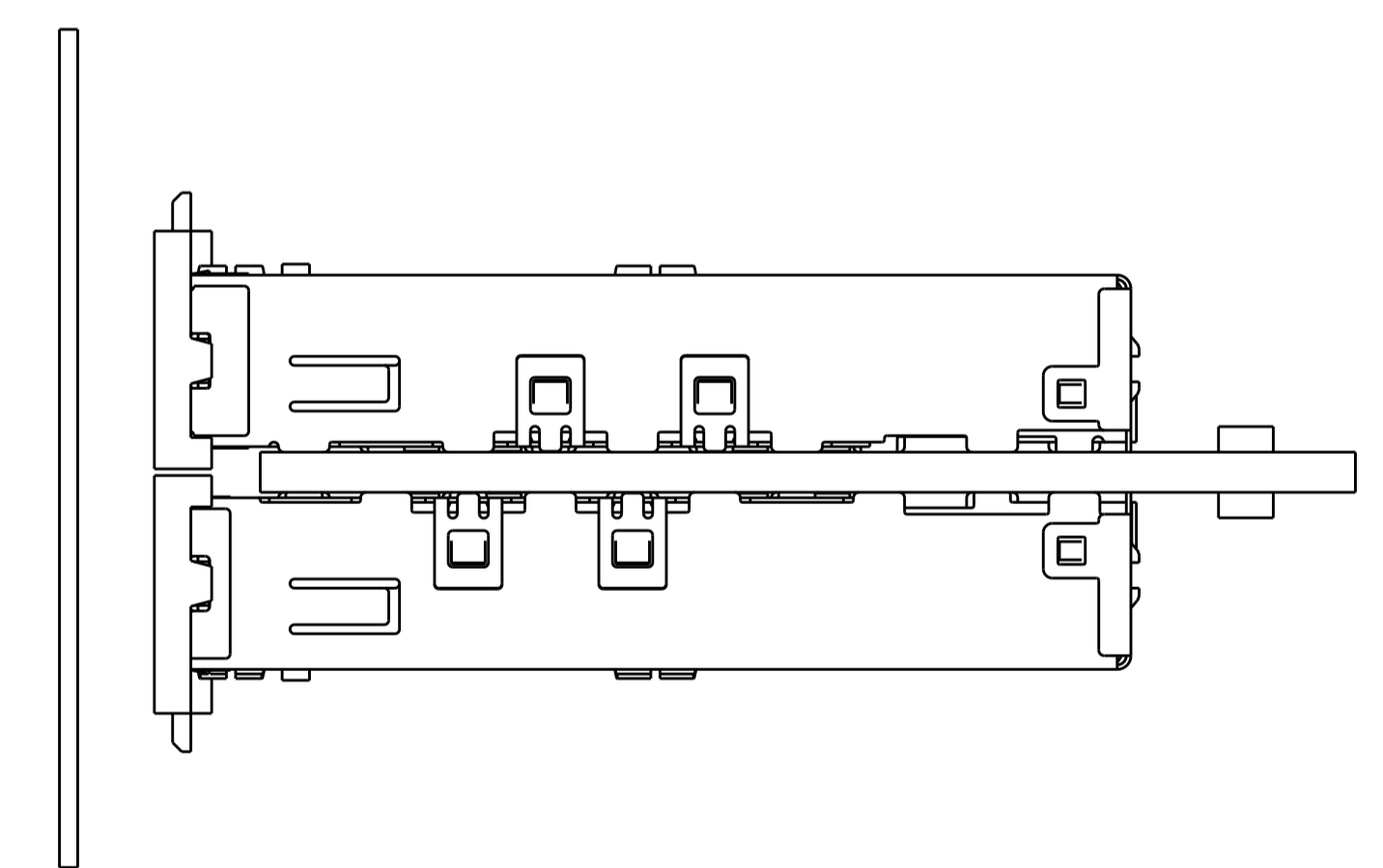
REVISIONS					
REV	DATE	BY	APPV	DESCRIPTION	DATE
-	-	-	-	SEE SHEET 1	-



ONE SIDED CONFIGURATION
SCALE 5:2



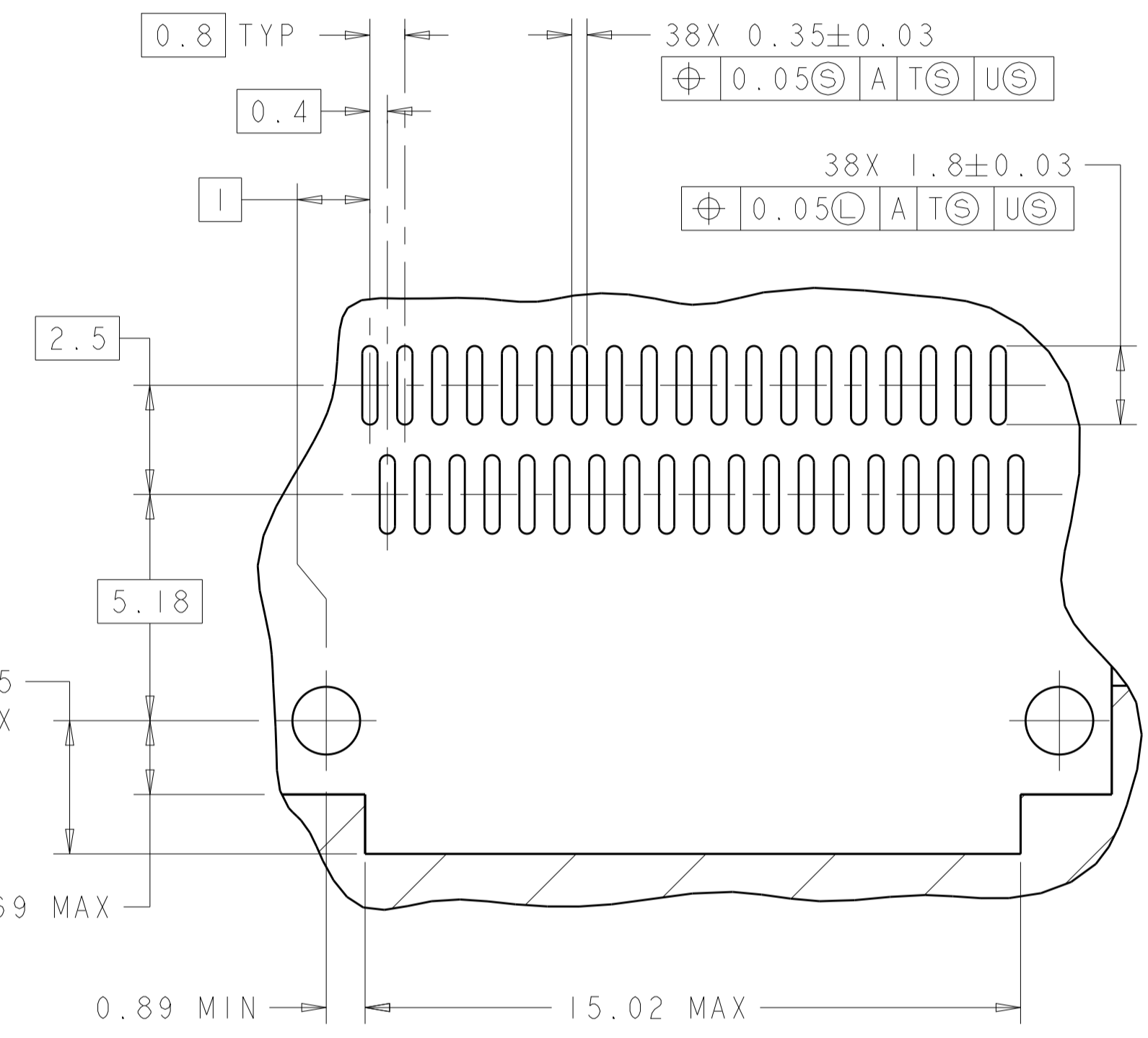
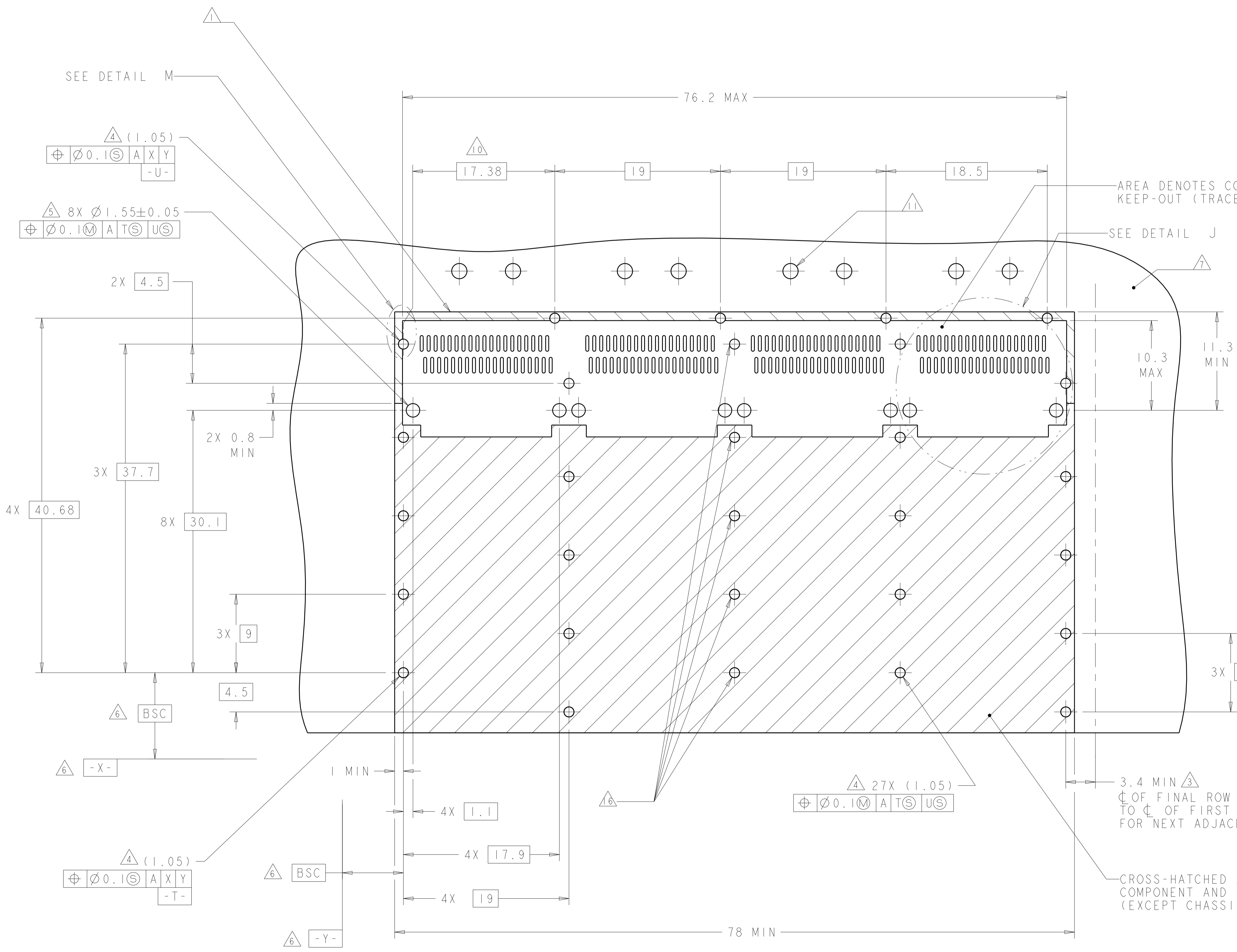
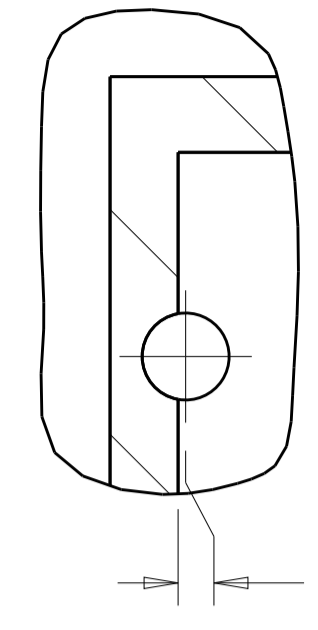
BELLY TO BELLY CONFIGURATION SIMILAR
TO ONE SIDED EXCEPT WHERE NOTED
SCALE 5:2



THIS DRAWING IS A CONTROLLED DOCUMENT.		OWN: C. VALENTINE 17APR2008	TE Connectivity
DIMENSIONS: mm		CHK: E. BRIGHT 17APR2008	
TOLERANCES UNLESS OTHERWISE SPECIFIED:		APVD: F. BRIGHT 17APR2008	NAME: 1X4 CAGE ASSEMBLY, BEHIND BEZEL, W/ LIGHT PIPE BRACKET, QSFP PRODUCT SPEC: 108-2286 APPLICATION SPEC: 114-13218
0 PLC ±. 1 PLC ±0.1 2 PLC ±0.1 3 PLC ±0.013 4 PLC ±0.0001 ANGLES ±.		WEIGHT: - FINISH: - CUSTOMER DRAWING	
MATERIAL: -		SCALE: 2:1	RESTRICTED TO: -
4805 (3/11)		SHEET: 2 OF 4	REV: F

LOC	DIST	REV	DATE	BY	APPV
GP	00				

DETAIL M
 SCALE 10:1



DETAIL J
 4 PLACES
 SCALE 8:1

RECOMMENDED PC BOARD LAYOUT
 SINGLE SIDE MOUNT CONFIGURATION
 SCALE 4:1

AREA DENOTES COMPONENT
 KEEP-OUT (TRACES PERMITTED)

SEE DETAIL J

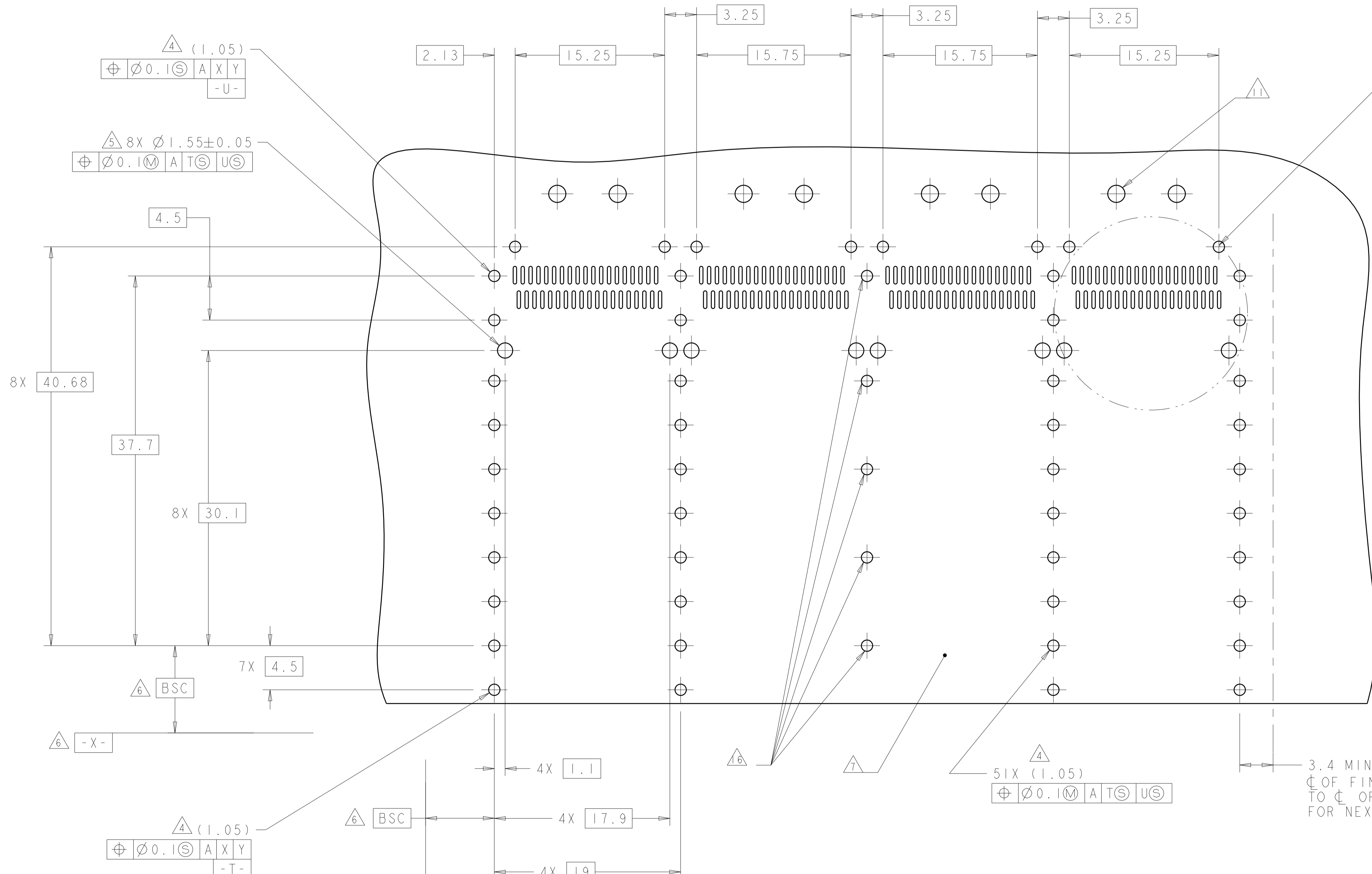
3.4 MIN Δ
 ϕ OF FINAL ROW OF HOLES
 TO ϕ OF FIRST ROW OF HOLES
 FOR NEXT ADJACENT CAGE.

CROSS-HATCHED AREA DENOTES
 COMPONENT AND TRACE KEEP-OUT
 (EXCEPT CHASSIS GROUND)

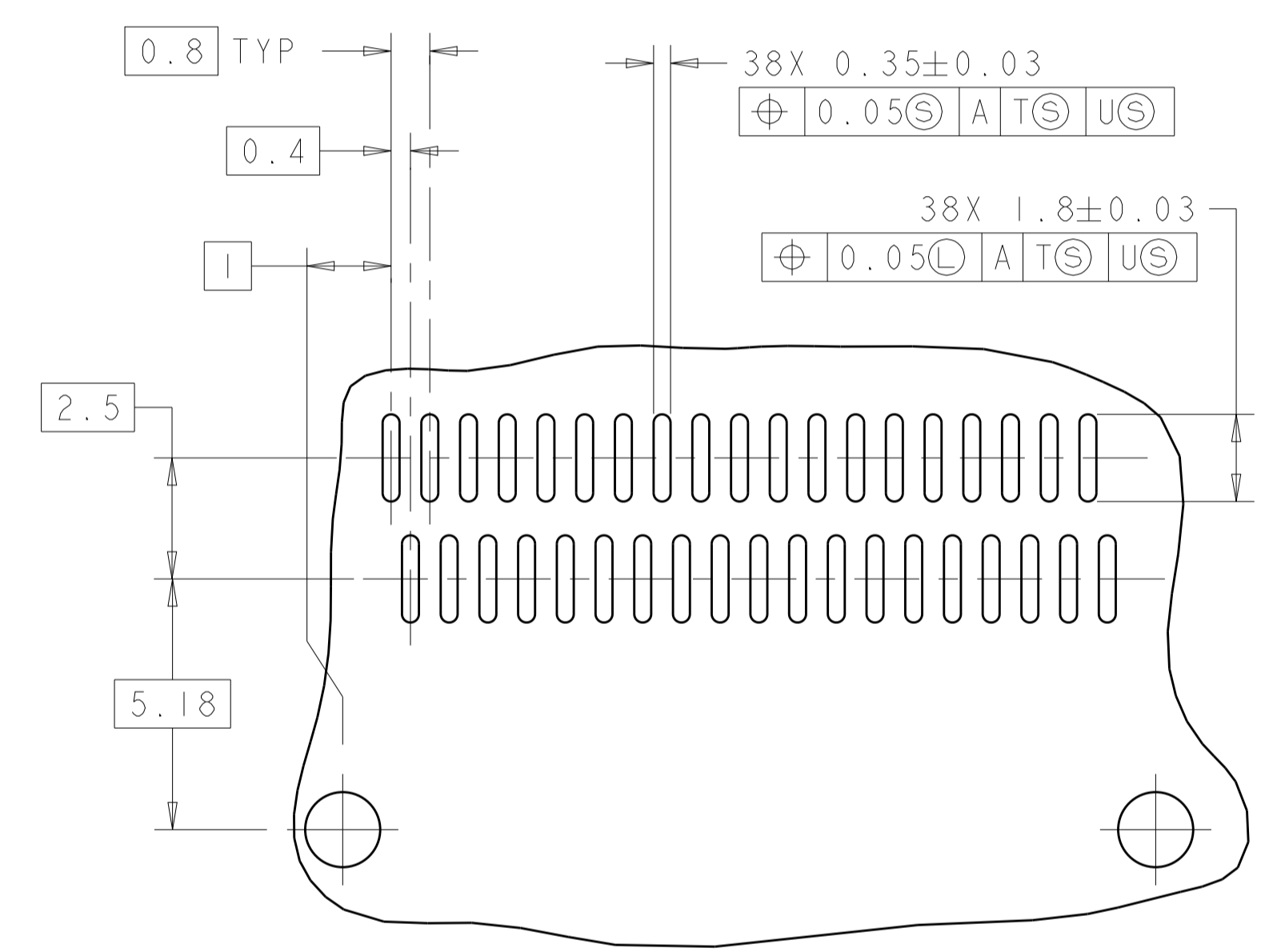
THIS DRAWING IS A CONTROLLED DOCUMENT.		DWN C. VALENTINE 17APR2008	TE Connectivity
DIMENSIONS: mm		CHK E. BRIGHT 17APR2008	
TOLERANCES UNLESS OTHERWISE SPECIFIED:		APVD E. BRIGHT 17APR2008	NAME 1X4 CAGE ASSEMBLY, BEHIND BEZEL, W/ LIGHT PIPE BRACKET, QSFP
0 PLC ± 1 PLC ±0.1 2 PLC ±0.1 3 PLC ±0.013 4 PLC ±0.0001 ANGLES ±		PRODUCT SPEC 108-2286	SIZE 114-13218
MATERIAL		APPLICATION SPEC 114-13218	RESTRICTED TO
FINISH		WEIGHT	A100779C=2007668
		CUSTOMER DRAWING	SCALE 2:1 SHEET 3 OF 4 REV F

LOC	DIST	REV	DATE	BY	APPD
GP	00				

REVISIONS			
REV	DATE	BY	APPD
-	-	-	-
SEE SHEET 1			



SEE DETAIL K



DETAIL K
SCALE 8:1

RECOMMENDED PC BOARD LAYOUT
BELLY TO BELLY CONFIGURATION
SEE SHEET 3 FOR COMPONENT AND TRACE KEEP-OUTS
SCALE 4:1

THIS DRAWING IS A CONTROLLED DOCUMENT.		OWN C. VALENTINE CHK E. BRIGHT APVD E. BRIGHT	DATE 17APR2008 17APR2008	TE Connectivity NAME 1X4 CAGE ASSEMBLY, BEHIND BEZEL, W/ LIGHT PIPE BRACKET, QSFP
DIMENSIONS:	TOLERANCES UNLESS OTHERWISE SPECIFIED:	PRODUCT SPEC 108-2286 APPLICATION SPEC 114-13218		
mm	0 PLC ± 1 PLC ±0.1 2 PLC ±0.1 3 PLC ±0.013 4 PLC ±0.0001 ANGLES ±	SIZE A100779C=2007668		RESTRICTED TO
MATERIAL	FINISH	WEIGHT CUSTOMER DRAWING		SCALE 2:1 SHEET 4 OF 4 REV F