

1

2

3

4

5

6

7

A

B

C

D

E

F

A

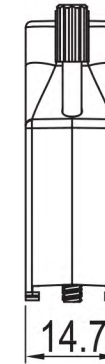
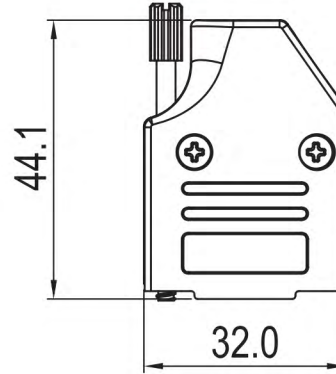
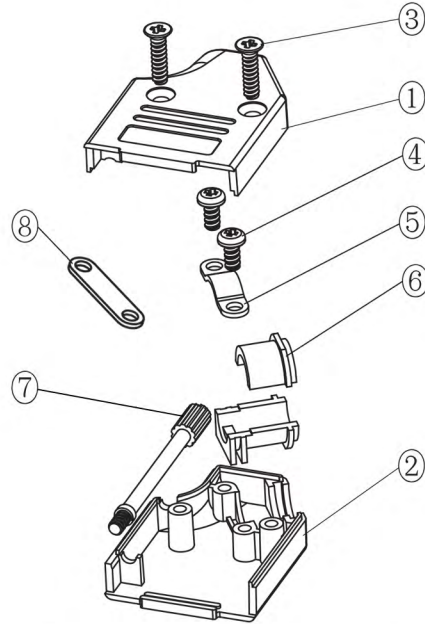
B

C

D

E

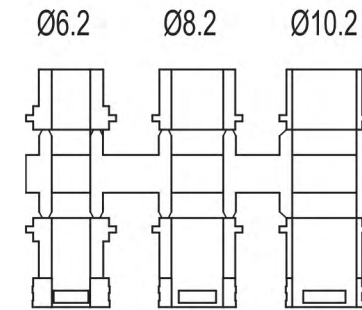
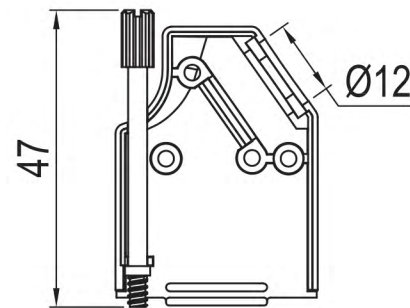
F



TECHNICAL SPECIFICATIONS

Material: Zinc
 Plating: Nickel
 Operating Temperature: -25°C to +90°C
 Jackscrews: UNC 4-40

No. of contacts: 09-15-25-37



Grommet Set

Item	QTY	Part description
1	1	Upper Cover
2	1	Lower Cover
3	2	M3x12 CSK Screw
4	2	M3x6 Screw
5	1	Clamp-Rounded
6	1	Grommet Set
7	1	Thumbscrew UNC4-40x47
8	1	Clamp-Flat

RoHS compliant
 Unit: mm

Scale	Free				Date	Name	Customer-No.	
TOLERANCE					Drawn	17.08.2017	S.Bölling	
0~6	±0.10				Approved	17.08.2017	S.Bölling	
6~30	±0.20							
30~120	±0.30							
120~400	±0.50							
DIM	Tol							
Angle	±1°	Ⓢ	Drawn	17.08.2017				S.Bölling
Angle	Tol	Id.	Modification	Date				Name

Customer-No.
 ASSMANN WSW-No.
ACOV-SUB-09MB27

Drawing-No.
ASS_5268_CO rev00
 Replace
 Sheet 1/4

1

2

3

4

5

6

7

SV4382

G

G

H

H

1

2

3

4

5

6

7

A

B

C

D

E

F

A

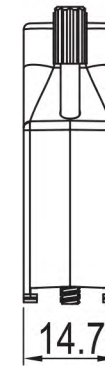
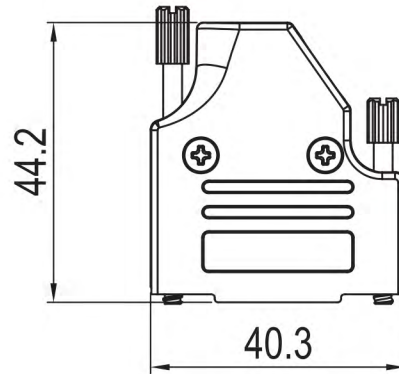
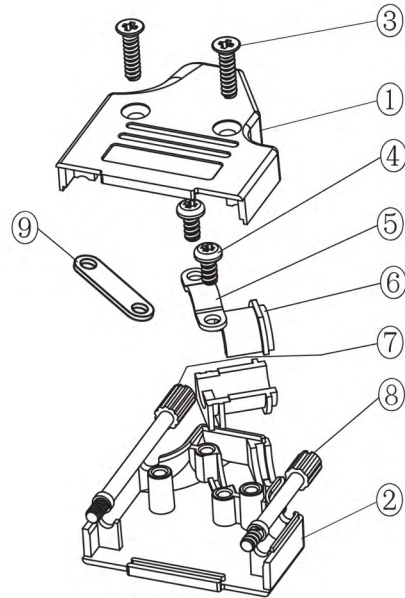
B

C

D

E

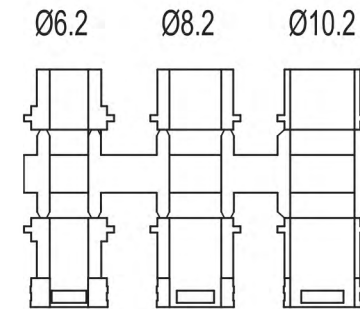
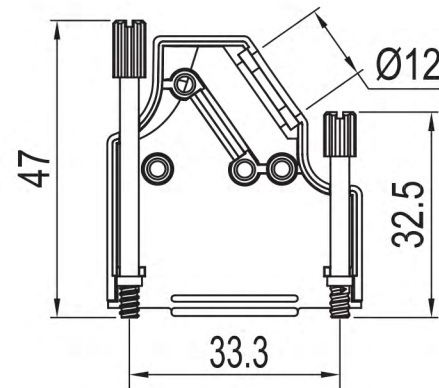
F



TECHNICAL SPECIFICATIONS

Material: Zinc
 Plating: Nickel
 Operating Temperature: -25°C to +90°C
 Jackscrews: UNC 4-40

No. of contacts: 09-15-25-37



Grommet Set

Item	QTY	Part description
1	1	Upper Cover
2	1	Lower Cover
3	2	M3x12 CSK Screw
4	2	M3x6 Screw
5	1	Clamp-Rounded
6	1	Grommet Set
7	1	Thumbscrew UNC4-40x47
8	1	Thumbscrew UNC4-40x32.5
9	1	Clamp-Flat

RoHS compliant
 Unit: mm

Scale	Free				Date	Name	Customer-No.	
TOLERANCE					Drawn	17.08.2017	S.Bölling	
0~6	±0.10				Approved	17.08.2017	S.Bölling	
6~30	±0.20							
30~120	±0.30							
120~400	±0.50							
DIM	Tol							
Angle	±1°	ⓐ	Drawn	17.08.2017				S.Bölling
Angle	Tol	Id.	Modification	Date				Name

Customer-No.

Drawn

17.08.2017

S.Bölling

ASSMANN WSW-No.

ACOV-SUB-15MB27

Drawing-No.

ASS_5268_CO

rev00

Replace

Sheet 2/4

1

2

3

4

5

6

7

SV4382

1

2

3

4

5

6

7

A

B

C

D

E

F

A

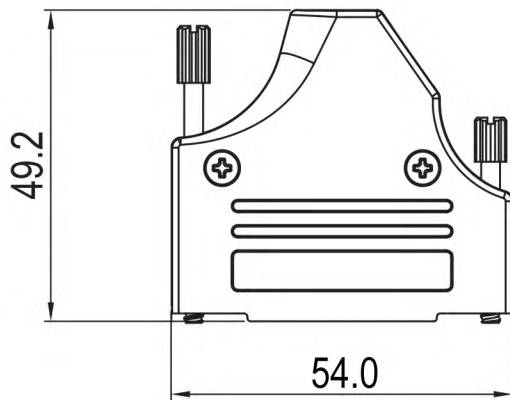
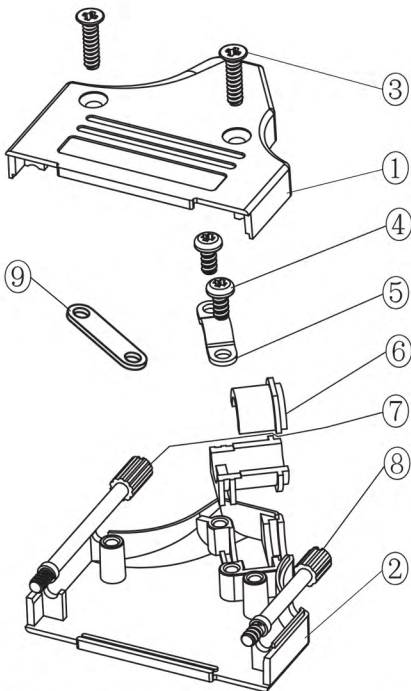
B

C

D

E

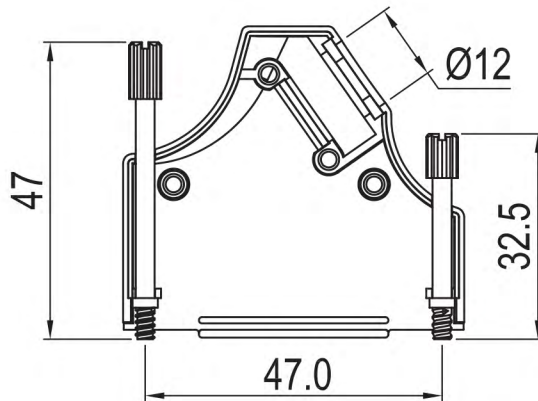
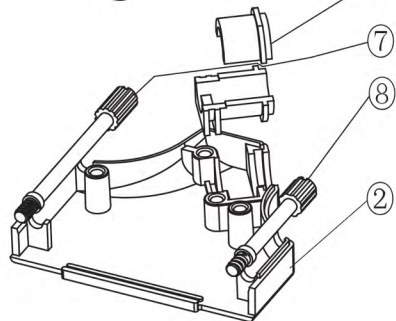
F



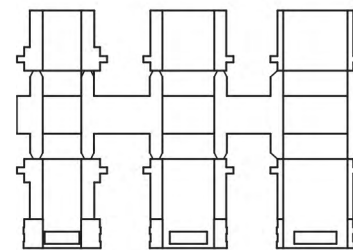
TECHNICAL SPECIFICATIONS

Material: Zinc
 Plating: Nickel
 Operating Temperature: -25°C to +90°C
 Jackscrews: UNC 4-40

No. of contacts: 09-15-25-37



Ø6.2 Ø8.2 Ø10.2



Grommet Set

Item	QTY	Part description
1	1	Upper Cover
2	1	Lower Cover
3	2	M3x12 CSK Screw
4	2	M3x6 Screw
5	1	Clamp-Rounded
6	1	Grommet Set
7	1	Thumbscrew UNC4-40x47
8	1	Thumbscrew UNC4-40x32.5
9	1	Clamp-Flat

RoHS compliant
Unit: mm

Scale	Free					Date	Name	Customer-No.
TOLERANCE						Drawn	17.08.2017	S.Bölling
0~6	±0.10					Approved	17.08.2017	S.Bölling
6~30	±0.20							
30~120	±0.30							
120~400	±0.50							
DIM	Tol							
Angle	±1°	©	Drawn	17.08.2017	S.Bölling			
Angle	Tol	Id.	Modification	Date	Name			

Customer-No.
 ASSMANN WSW-No.
ACOV-SUB-25MB27

Drawing-No.
ASS_5268_CO rev00
 Replace
 Sheet 3/4

1

2

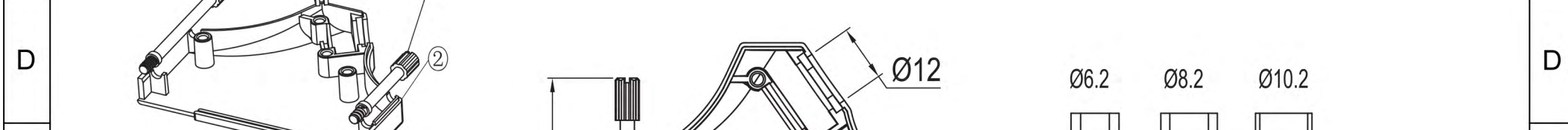
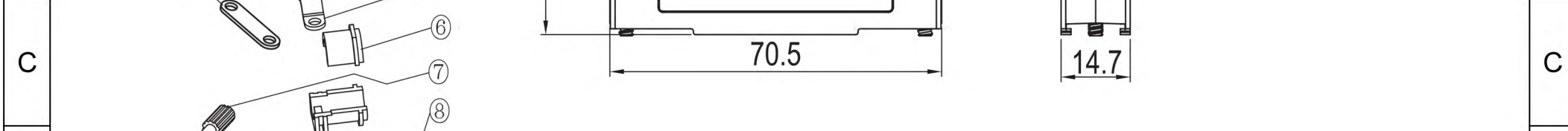
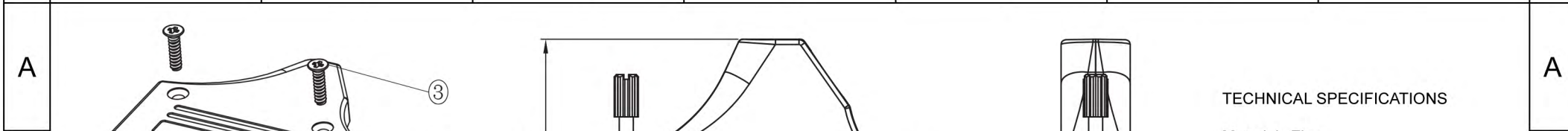
3

4

5

6

7



Item	QTY	Part description
1	1	Upper Cover
2	1	Lower Cover
3	2	M3x12 CSK Screw
4	2	M3x6 Screw
5	1	Clamp-Rounded
6	1	Grommet Set
7	1	Thumbscrew UNC4-40x47
8	1	Thumbscrew UNC4-40x32.5
9	1	Clamp-Flat

G	RoHS compliant Unit: mm	Scale	Free	Date	Name	Customer-No.
		TOLERANCE				
H		0~6	±0.10	Approved	17.08.2017	ASSMANN WSW-No. ACOV-SUB-37MB27
		6~30	±0.20			Drawing-No. ASS_5268_CO
		30~120	±0.30			rev00
		120~400	±0.50			Sheet 4/4
		DIM	Tol			
		Angle	±1°	© Drawn	17.08.2017	S.Bölling
		Angle	Tol	Id.	Modification	Date

