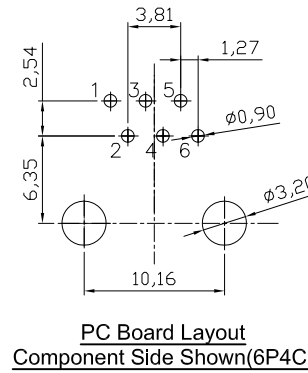
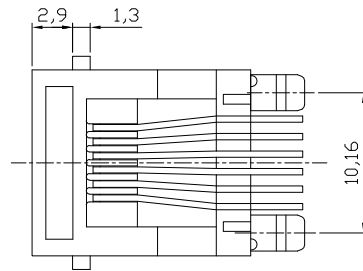
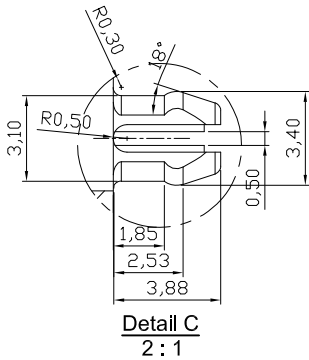


- NOTES:**
- Mechanical:**
- Housing material : Glass Filled Polyester UL94V-0 , Color: Black
 - Contact material: Phosphor Bronze t=0.35mm
 - Contact plating: Contact area---Selective gold plating
Tails---Tin plated all over 50u" Nickel
 - Operating Life: 750 Cycles min.
 - PCB Retention Pre-solder: 1 LB min.
 - PCB Retention Post-solder: 10 LBS min.
- Electrical:**
- Voltage Rating: 125VAC.
 - Current Rating: 1.5AMP.
 - Contact Resistance: 30mΩ max.
 - Insulation Resistance: 1000MΩ min. @ 500 VDC
 - Dielectric Strength: 750 VAC 50Hz, 1 min.
- Environmental:**
- Storage: -40°C To +85°C
 - Operation: -40°C~+85°C
 - Wave Soldering Temp: 200~220°C(5~10S)
- Packing: 100pcs/Tray, 3200pcs/Carton



Order code: A-2014-0-X

Contact plating:
 1: selective 15u" gold
 2: selective 30u" gold
 3: selective 50u" gold
 4: selective 6u" gold

RoHS compliant
Unit:mm

Scale	Free						Date	Name	Customer-No.
TOLERANCE						Drawn	27.05.2013	Amy	ASSMANN WSW-No. A-2014-0-X
X.X	±0.20					Approved	27.05.2013	Amy	
X.XX	±0.15								
X.XXX	±0.10								
DIM	TOL								Drawing-No.
									ASS 5701 CO
		①	Drawn	27.05.2013	Amy			Replace	rev00
Angle	±5°	Id.	Modification	Date	Name			SHEET	



ASS 5701 CO rev00

Replace SHEET