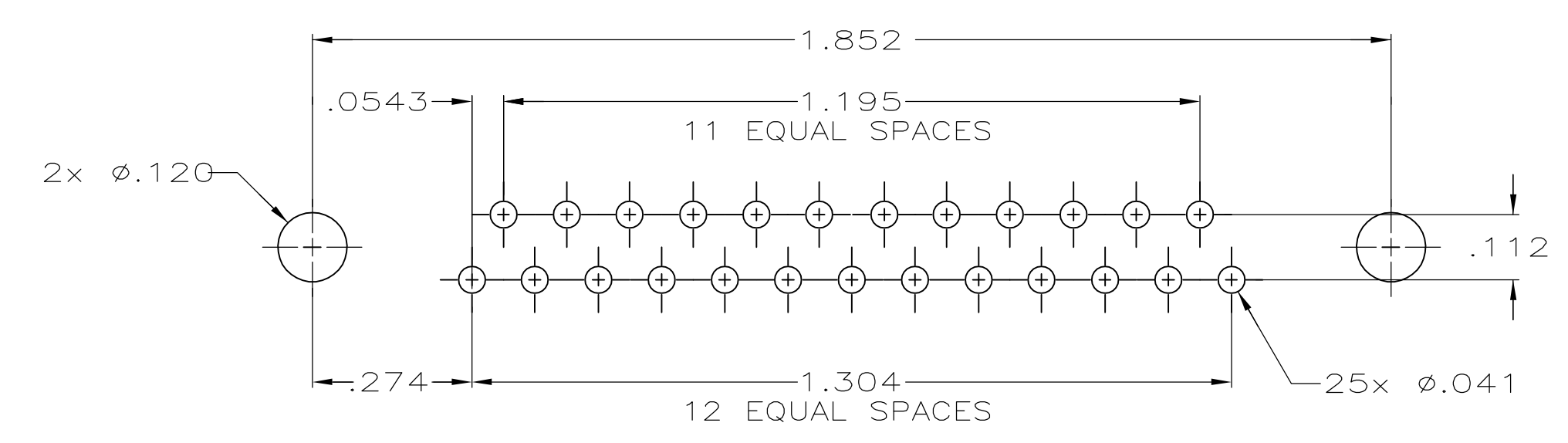
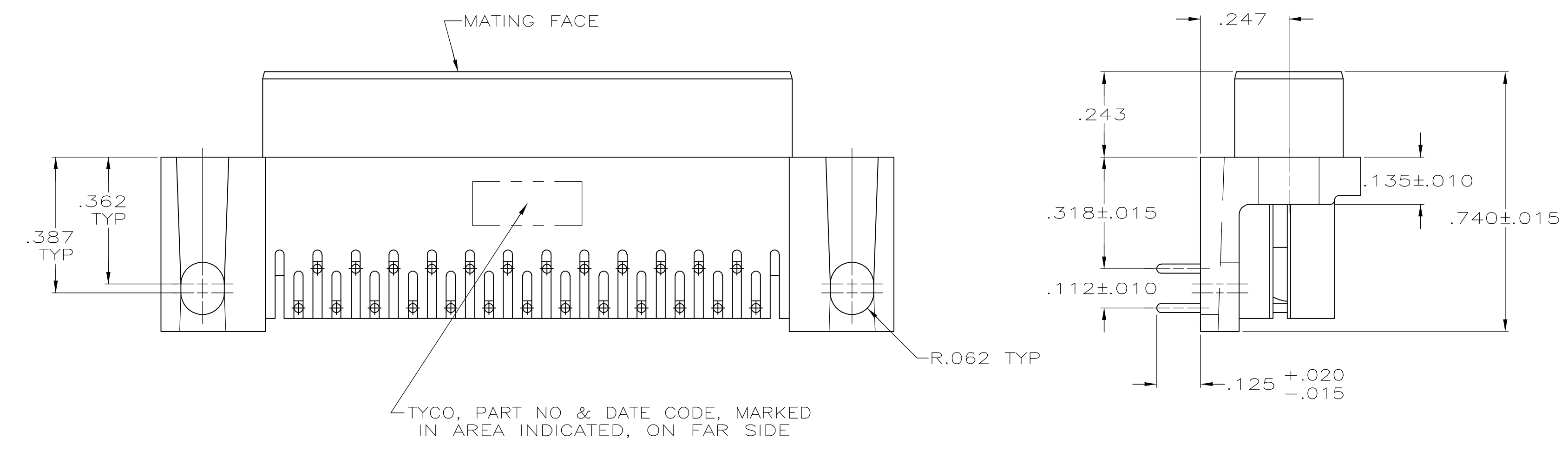
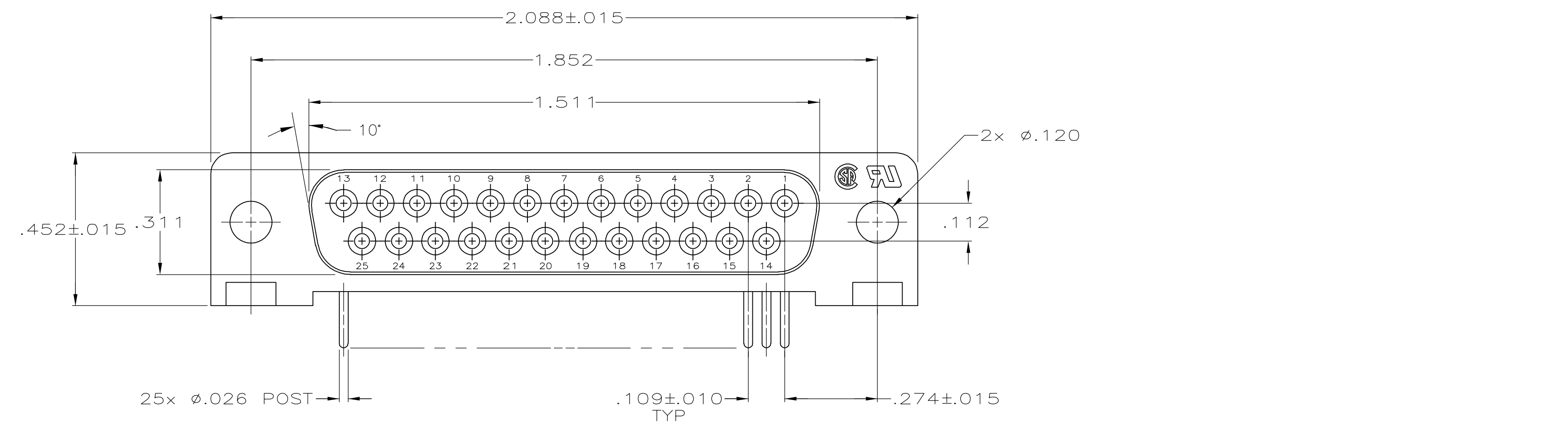


LOC		DIST		REVISIONS			
REV	DATE	DESCRIPTION	DATE	DWN	APPD		
0		RELEASED PER EC 0813-0087-05	14SEP05	GP	JG		



RECOMMENDED P.C. BOARD MOUNTING DIMENSIONS $\triangle 2$

- $\triangle 1$ HOUSING: FLAME RETARDANT, 94V-0 RATED, GLASS FILLED NYLON OR POLYESTER, COLOR: BLACK.
CONTACTS: PHOS. BRONZE
- $\triangle 2$ REFER TO APPLICATION SPEC FOR RECOMMENDED P.C. BOARD MOUNTING DIMENSIONS FOR AUTOMATIC INSERTION.
- $\triangle 3$ CONTACTS: PLATED WITH .000030 MIN GOLD FOR LENGTH OF .055 MIN FROM MATING END, .000100 MIN TIN ON SOLDER END, ALL OVER .000050 MIN NICKEL ON ENTIRE CONTACT.

**COPYRIGHT 2005
 TYCO ELECTRONICS CORP
 ALL RIGHTS RESERVED**

5745132-2
 PART NUMBER

THIS DRAWING IS A CONTROLLED DOCUMENT.		DWN G. PETERS 14SEP05	Tyco Electronics Corporation Harrisburg, PA 17105-3608	
DIMENSIONS: INCHES		CHK S. BOLASH 14SEP05	APVD M. WALMSLEY 14SEP05	
TOLERANCES UNLESS OTHERWISE SPECIFIED:		NAME RECEPTACLE ASSY, SIZE 3, 25 POSN, RIGHT ANGLE, .318 SERIES, .026 DIA POSTS, AMPLIMITE HD-20		
0 PLC ± -		PRODUCT SPEC 108-40025		
1 PLC ± -		APPLICATION SPEC 114-40015		
2 PLC ± -		SIZE A1		
3 PLC ± .005		CAGE CODE 00779		
4 PLC ± -		DRAWING NO 5745132		
ANGLES ± °		RESTRICTED TO -		
FINISH		WEIGHT -		
$\triangle 1$		CUSTOMER DRAWING		
$\triangle 3$		SCALE 4:1 SHEET 1 OF 1 REV 0		