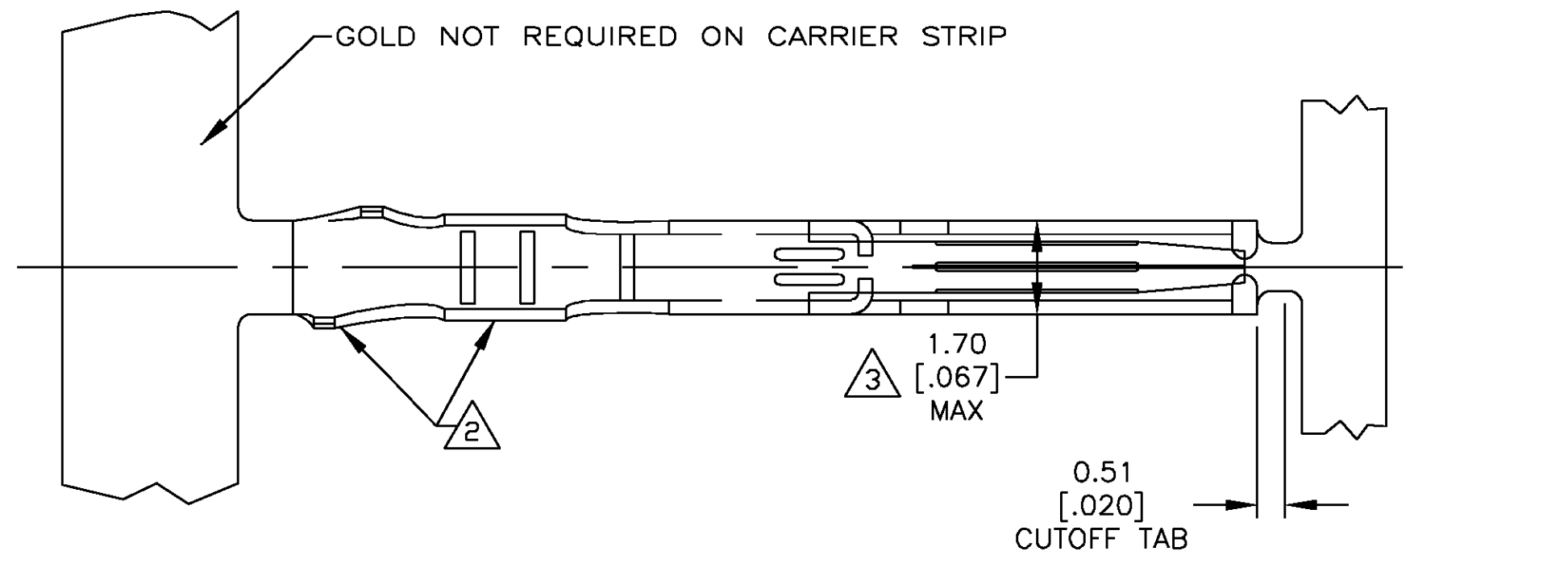
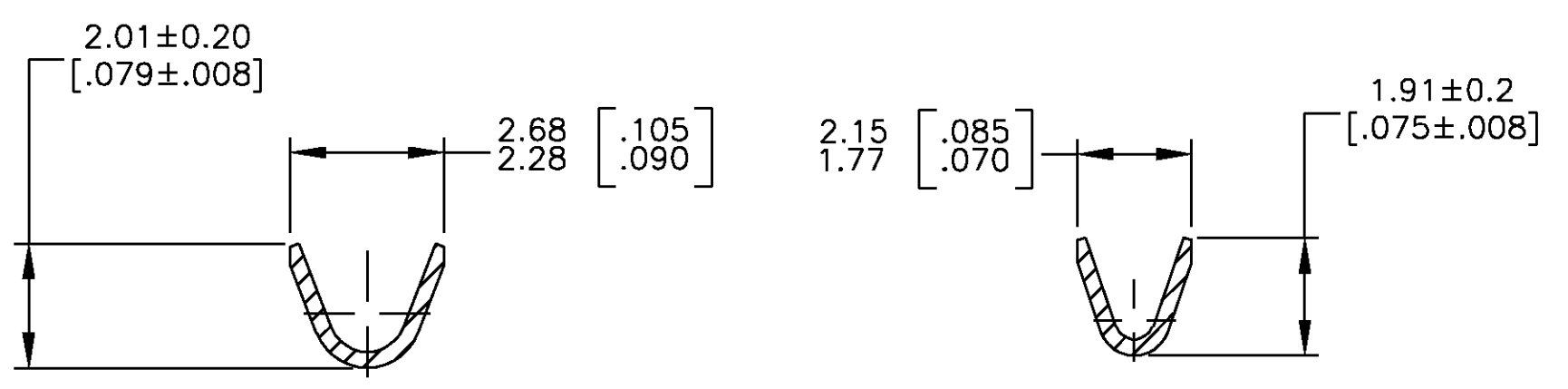
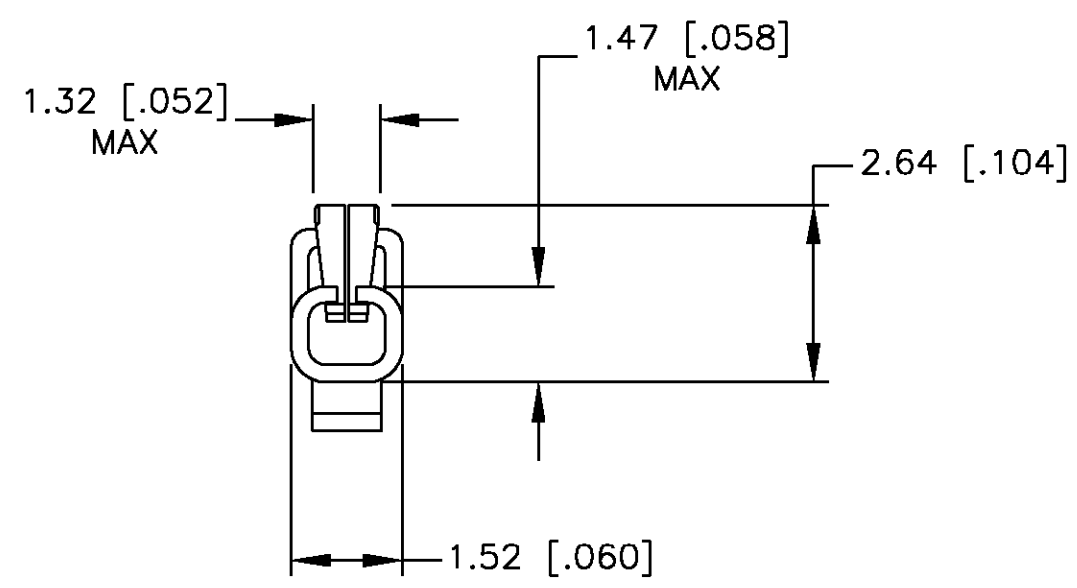
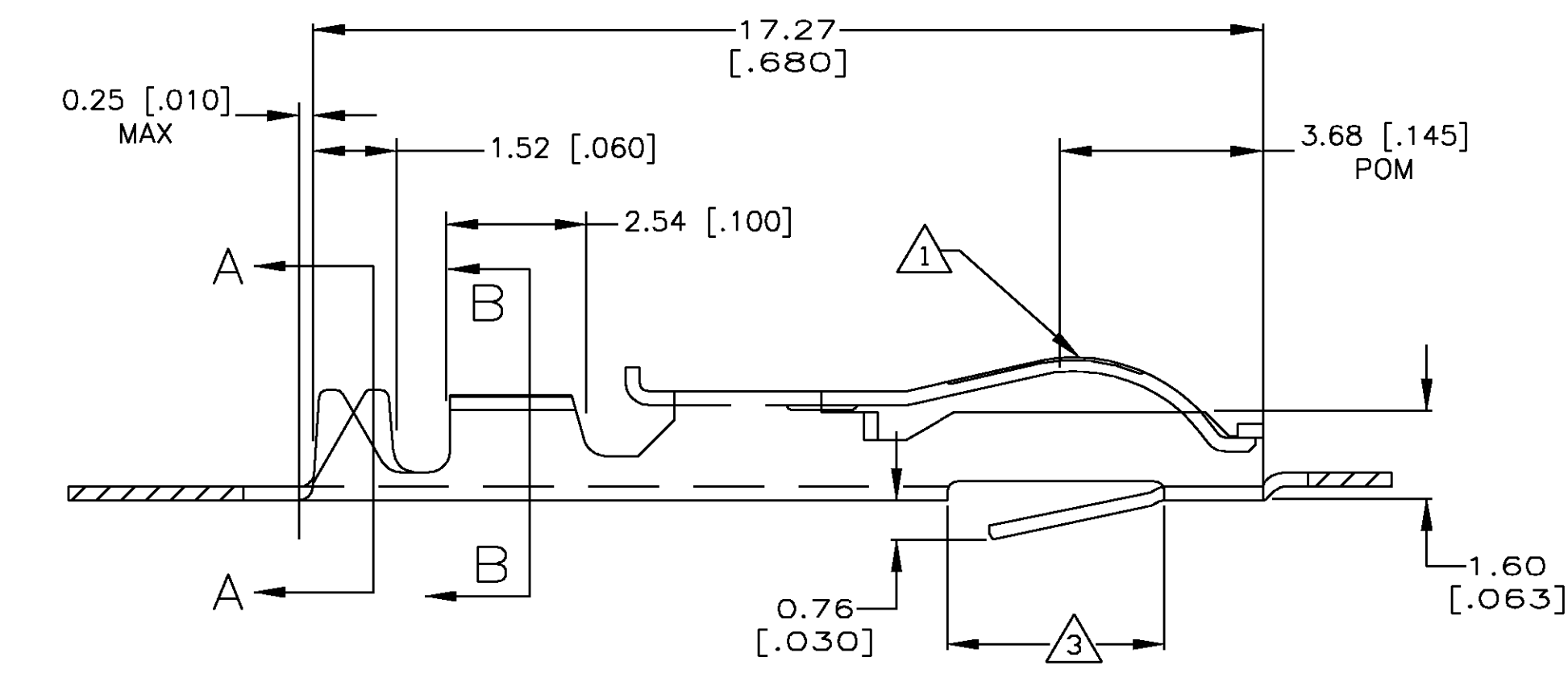


| LOC | DIST | REVISIONS | | | |
|-----|------|-------------|----------------------|---------|-------|
| P | LTR | DESCRIPTION | DATE | DWN | APVD |
| AD | 00 | A | REV PER OG3C-0321-00 | 31JUL00 | BH MM |



- 1 0.76 μ m [.000030] MIN GOLD OVER 0.76 μ m [.000030] MIN NICKEL IN CONTACT AREA.
- 2 TIN-LEAD IN CRIMP AREA.
- 3 .067 MAX ALLOWED IN LOCKING LANCE AREA.
- 4. REEL QUANTITY = 7000 PIECES.



SECTION A-A
INSULATION RANGE
.060-.048 DIA

SECTION B-B
WIRE RANGE
#20 AWG

147439-2
PART NUMBER

| | | | | |
|--|------------|-------------------------------|--|--------------------|
| THIS DRAWING IS A CONTROLLED DOCUMENT. | | DWN R BROWN 31JUL00 | AMP Tyco Electronics Corporation Harrisburg, PA 17105 | |
| DIMENSIONS: INCHES | | CHK M MILLER 14 JUN 00 | NAME | |
| TOLERANCES UNLESS OTHERWISE SPECIFIED: | | APVD M MILLER 14 JUN 00 | CONTACT, CRIMP-SNAP, 20 AWG, TWIN LEAF | |
| 0 PLC ± - | 1 PLC ± - | PRODUCT SPEC | APPLICATION SPEC | RESTRICTED TO |
| 2 PLC ± 0.13 [.005] | 3 PLC ± - | SIZE | CAGE CODE | DRAWING NO |
| 4 PLC ± - | ANGLES ± - | WEIGHT | A2 00779 | ©-147439 |
| MATERIAL BERYLLIUM COPPER | | FINISH | CUSTOMER DRAWING | |
| | | SCALE | 10:1 | SHEET 1 OF 1 REV A |

147439