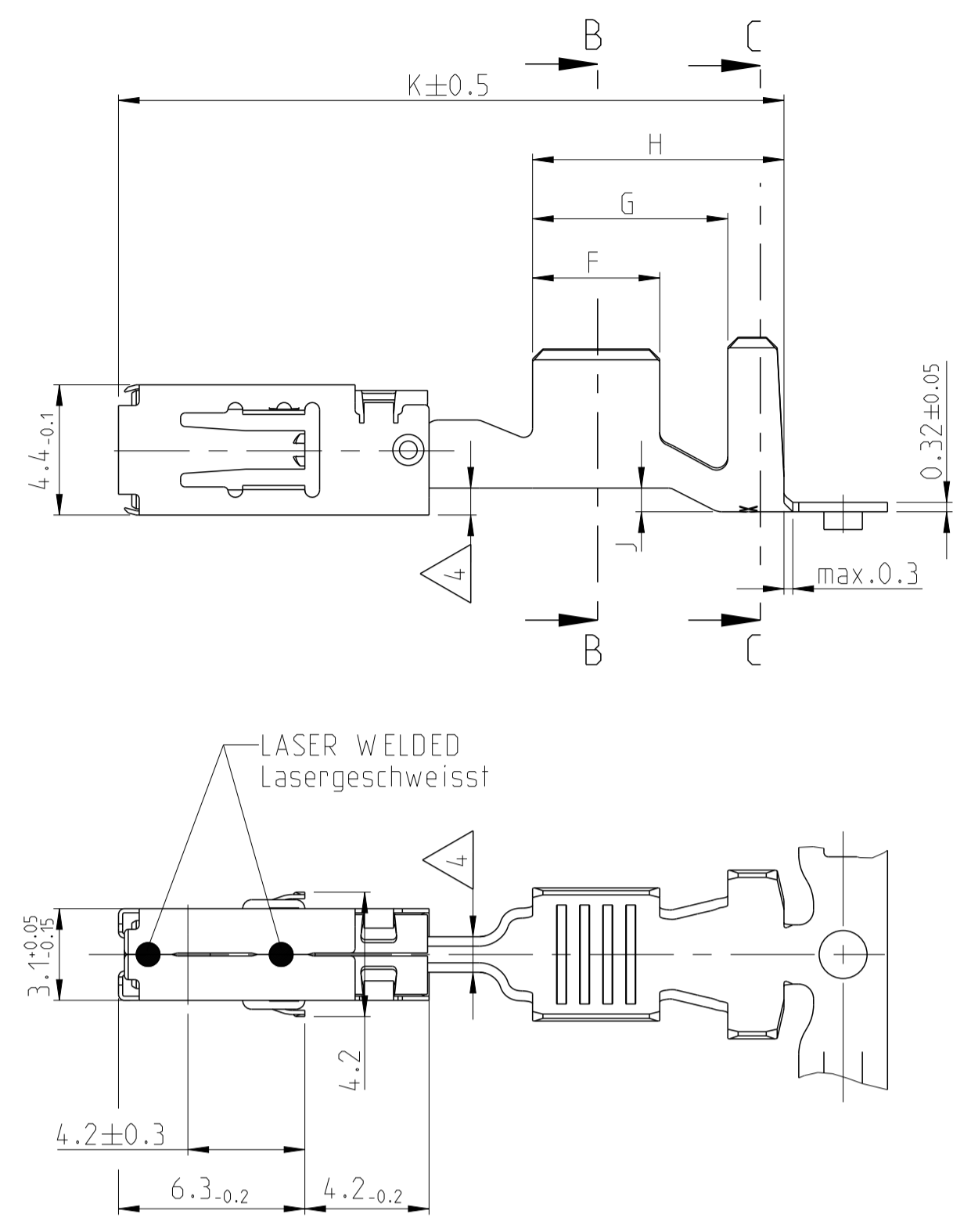
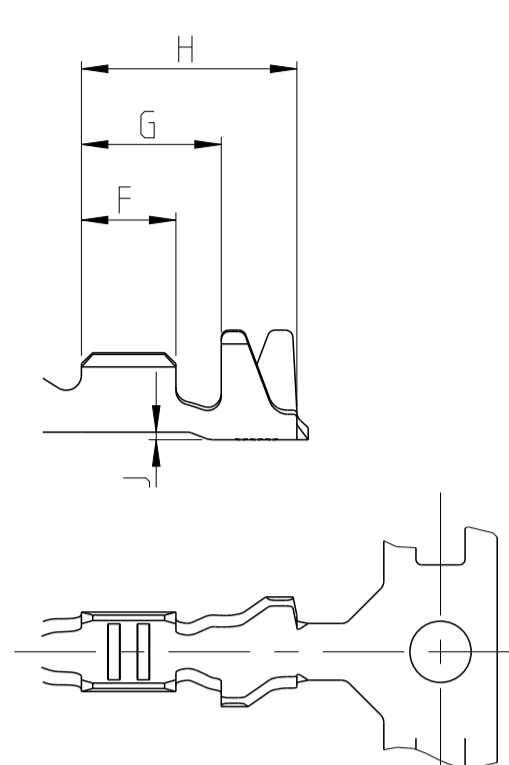


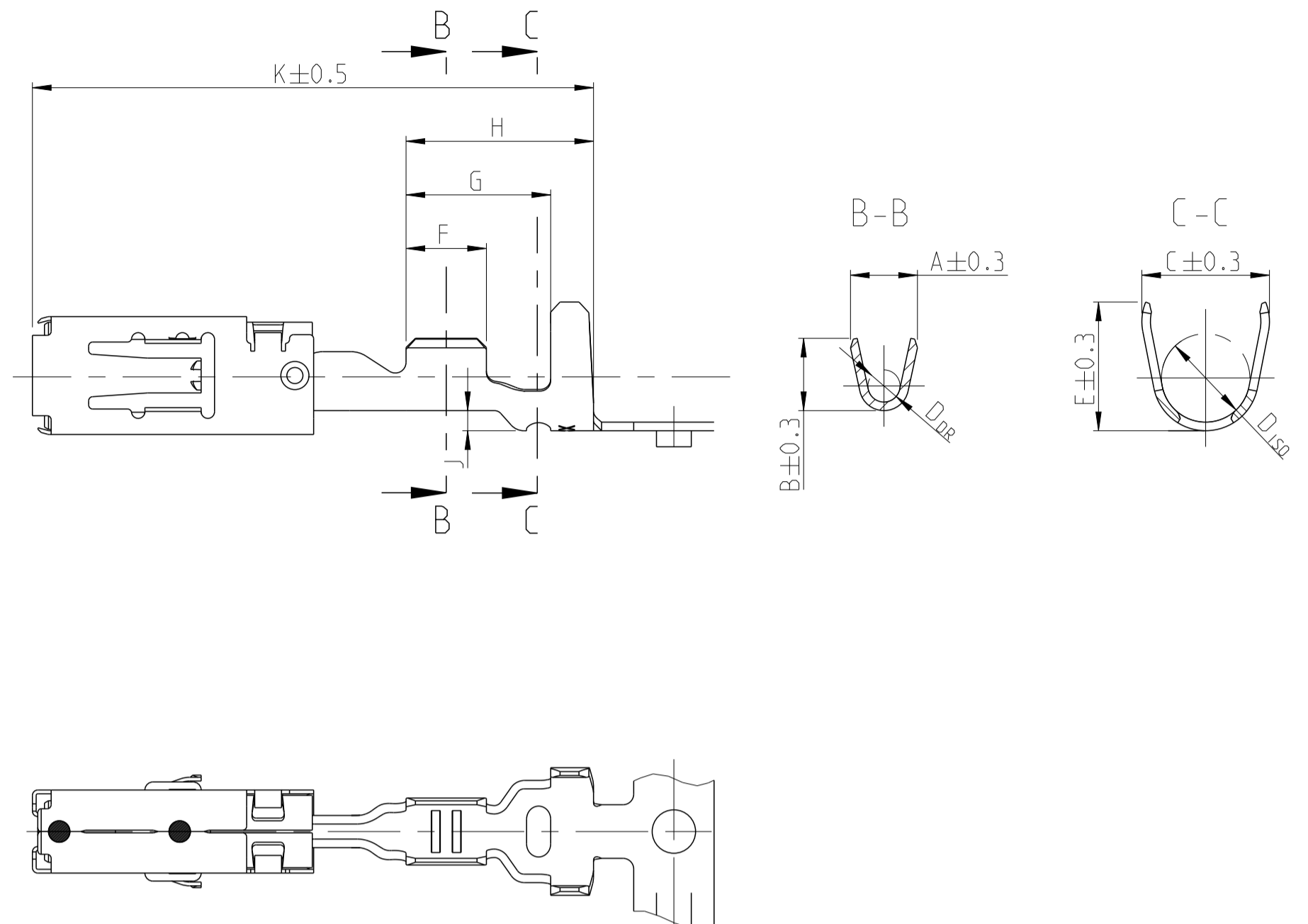
STANDARD CRIMP



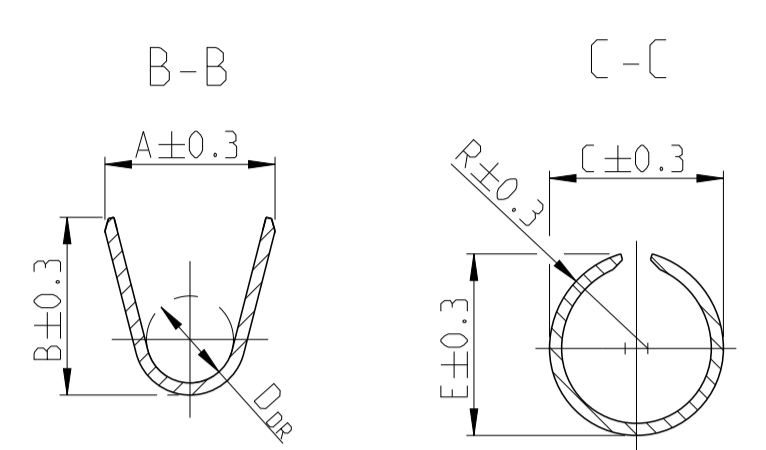
ONLY FOR WIRE SIZE RANGE
 Nur fuer DGB
 0.2 ... 0.5 mm²



SINGLE WIRE SEAL Einzeldichtungssystem



LOOSE PIECE Einzelausfuehrung



REVISIONS				
P.	LTN.	DESCRIPTION	DATE	APVD
J4		REVISED PER ECO-11-005150	29MAR11	Rk HMR
J5		PN 1-968882-2 and 1-968896-2 aktiv.	25OCT11	Kirs. Mair.
J6		Crimp heights in table from 2.27 to 2.25 changed	22MAY12	Kirs. Mair.
J7		1-968855-4, 1-968857-4, 1-968859-4 removed (ECR-13-010695)	20AUG13	Leim Leim

SINGLE WIRE SEAL / Einzeldichtung

STANDARD CRIMP

VERSION Ausfuehrung

ORDER-NO. STRIP-FORM	REV	ORDER-NO. LOOSE PIECE	BODY Werkstoff	SURFACE Oberflaeche	WIRE SIZE RANGE Leiter-quer-schnitt mm ²	INSULATION DIAMETER Isolations-durchmesser mm	CRIMP DIMENSIONS / Crimpabmessungen mm												WEIGHT Gewicht g	SINGLE WIRE SEAL Einzeldichtung TE CONNECTIVITY NO.	DEAD END PLUG Blindstopfen TE CONNECTIVITY NO.	APPLICATION TOOLS Verarbeitungswerkzeuge					
							A	B	D _{DR}	C	E	D _{ISO}	A	B	D _{DR}	C	E	R									
1-1719506-3	A	-		SILVER PLATED versilbert	12	3.0	4.0	4.2	2.0	5.0	5.0	3.5	-	-	-	-	-	3.5	5.9	7.5	0.8	21.0	0.59	828905-1	828922-1	SEE APPLICATION SPECIFICATION 114-18148 siehe Verarbeitungsspezifikation 114-18148	
1-1719506-1	A	-		PRE TIN PLATED verzinkt	12	3.8																					
1-968859-3	E	1-968877-3		SILVER PLATED versilbert	4	2.7	4.5	4.7	2.3	6.0	6.0	4.3	3.4	4.8	2.3	5.5	5.4	3.3	4.3	6.9	8.5	1.25	22.6	0.65	828985-1		828986-1
1-968859-2	-	1-968877-2		GOLD PLATED vergoldet	4	3.7																					
1-968859-1	E	1-968877-1		PRE TIN PLATED verzinkt	4	3.7																					
1-968857-3	E	1-968876-3		SILVER PLATED versilbert	1.5	2.2	3.6	3.8	1.7	5.0	5.0	3.5	2.8	3.9	1.7	4.8	4.4	2.8	3.5	5.9	7.5	0.8	21.0	0.58	828905-1		828922-1
1-968857-2	-	1-968876-2		GOLD PLATED vergoldet	1.5	3.0																					
1-968857-1	E	1-968876-1		PRE TIN PLATED verzinkt	2.5	3.0																					
1-968855-3	E	1-968875-3		SILVER PLATED versilbert	0.5	1.4	2.5	2.7	1.2	4.8	4.8	3.3	2.2	2.8	1.2	4.4	4.2	2.6	3.0	5.4	7.0	0.75	21.0	0.54	828904-1		828922-1
1-968855-2	E	1-968875-2		GOLD PLATED vergoldet	0.5	2.1																					
1-968855-1	E	1-968875-1		PRE TIN PLATED verzinkt	1.0	2.1																					
1-968882-3	E	1-968896-3		SILVER PLATED versilbert	0.2	1.2	2.1	2.1	0.8	4.5	4.5	3.2	1.7	2.15	0.8	4.2	4.15	2.4	2.5	4.9	6.5	0.75	21.0	0.52	828904-1		828922-1
1-968882-2	E	1-968896-2		GOLD PLATED vergoldet	0.2	1.4																					
1-968882-1	E	1-968896-1		PRE TIN PLATED verzinkt	0.5	1.4																					
1-968853-3	E	1-968874-3		SILVER PLATED versilbert	4	2.7	4.5	4.7	2.3	5.7	5.9	3.3	3.4	4.8	2.3	4.4	5.2	2.6	4.3	6.6	8.5	0.8	22.6	0.65	-		-
1-968853-2	-	1-968874-2		GOLD PLATED vergoldet	4	3.7																					
1-968853-1	E	1-968874-1		PRE TIN PLATED verzinkt	4	3.7																					
1-968851-3	E	1-968873-3		SILVER PLATED versilbert	1.5	2.2	3.6	3.8	1.7	4.6	4.8	2.6	2.8	3.9	1.7	3.8	4.4	2.3	3.5	5.1	6.7	0.3	20.2	0.56	-		-
1-968851-2	E	1-968873-2		GOLD PLATED vergoldet	1.5	3.0																					
1-968851-1	E	1-968873-1		PRE TIN PLATED verzinkt	2.5	3.0																					
1-968849-3	E	1-968872-3		SILVER PLATED versilbert	0.5	1.4	2.5	2.7	1.2	3.3	3.5	1.8	2.2	2.8	1.2	2.8	3.2	1.6	3.0	4.6	6.2	0.2	20.2	0.51	-	-	
1-968849-2	E	1-968872-2		GOLD PLATED vergoldet	0.5	2.1																					
1-968849-1	E	1-968872-1		PRE TIN PLATED verzinkt	1.0	2.1																					
1-968880-3	E	1-968895-3		SILVER PLATED versilbert	0.2	1.2	2.1	2.1	0.8	2.9	2.9	1.4	1.7	2.15	0.8	2.5	2.5	1.4	2.5	3.7	5.7	0.2	20.2	0.48	-	-	
1-968880-2	-	1-968895-2		GOLD PLATED vergoldet	0.2	1.4																					
1-968880-1	E	1-968895-1		PRE TIN PLATED verzinkt	0.5	1.4																					

- NOTES:
 Bemerkungen:
- MATING PART SEE INTERFACE DRAWING
 TE-NO.: 114-18230-002
 Gegenstecker nach Ausfuehrungsvorschrift
 TE-Nr.: 114-18230-002
 - 2** SURFACE:
 - PRE TIN PLATED 1 TO 3 µm
 - GOLD PLATED MIN. 2 µm (ONLY CONTACT AREA)
 - SILVER PLATED 3 TO 5 µm (ONLY CONTACT AREA)
 Oberflaeche:
 - verzinkt 1 bis 3 µm
 - vergoldet min. 2 µm (nur Kontaktzone)
 - versilbert 3 bis 5 µm (nur Kontaktzone)
 - DOUBLE CRIMPS ARE ONLY POSSIBLE WITH
 APPLICATORS AUTHORIZED BY TE (NO HAND TOOL)
 SUITABLE TOOLS ON REQUEST
 Doppelanschlage sind nur mit von TE zugelassenen
 Anschlagwerkzeugen moeglich (keine Handzangen)
 passende Werkzeuge auf Anfrage
 - 4** GAUGE INSPECTION
 Lehrenpruefung
 - DETAILS OF DESIGN ARE LEFT TO MANUFACTURER
 Einzelheiten der Ausfuehrung bleiben dem Hersteller ueberlassen
 - ONLY GERMAN LANGUAGE VERSION SHALL BE BINDING
 Massgebend ist der deutsche Text
 - PUNCHING OIL RAZIOL CLF 11 SG
 Stanzoel:

THIS DRAWING IS A CONTROLLED DOCUMENT. DWG S. Blidar 22SEP97
 CHK G. Hotea 22SEP97
 APVD J. Woller 22SEP97

STE TE Connectivity

PRODUCT GROUP DRAWING FOR
 Tabellenzeichnung fuer
 AMP MCP 2.8

SIZE: A1 CAGE CODE: 00779 DRAWING NO: 114-18148
 WEIGHT: - APPLICATION SPEC: 108-18513
 Customer Drawing SCALE: 5:1 SHEET: 1 OF 1 REV: J7