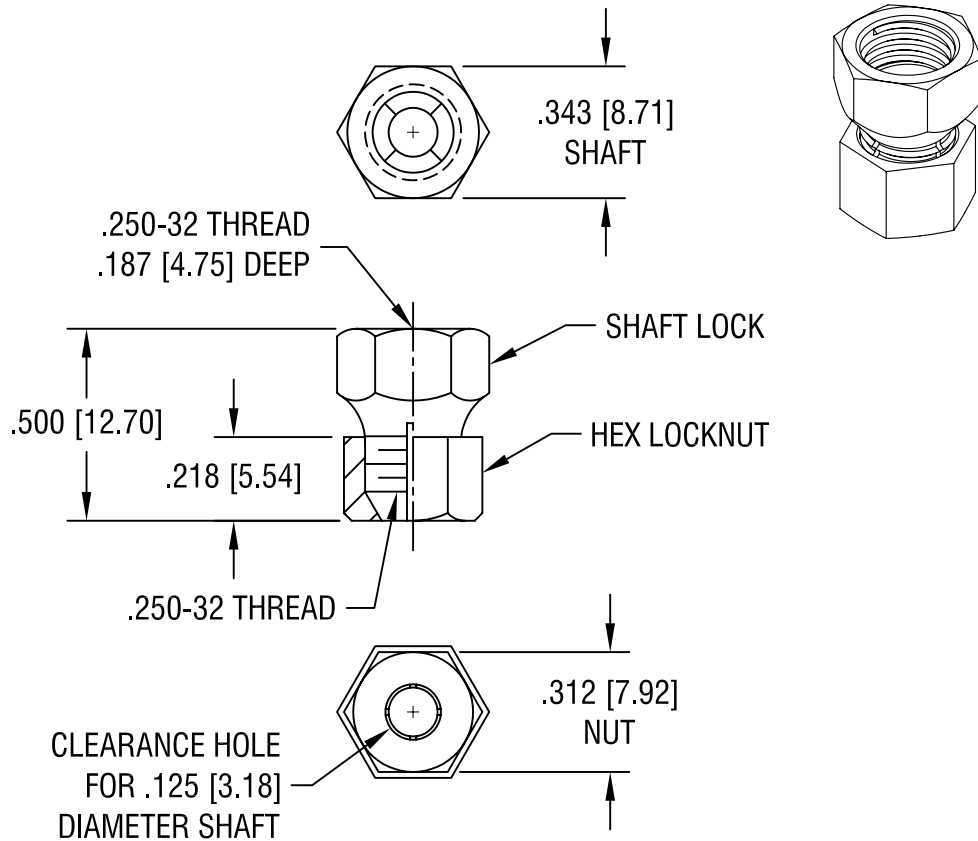


THIS DOCUMENT IS THE PROPERTY OF  
KEYSTONE ELECTRONICS CORP. AND  
SHALL NOT BE REPRODUCED, DISTRIBUTED  
OR USED AS A BASIS FOR MANUFACTURE  
WITHOUT PRIOR WRITTEN PERMISSION  
FROM KEYSTONE ELECTRONICS CORP.



**KEYSTONE ELECTRONICS CORP.**

ASTORIA, N.Y. 11105-2017

PART NAME

SHAFT LOCK

MATERIAL

BRASS

FINISH

NICKEL PLATE

DRN BY

BOONE

DATE

7.8.82

APP'D

LN

SCALE

2X

TOLERANCES

INCH [MM]

DECIMAL

$\pm .005$  [ $\pm 0.15$ ]

ANGULAR

$\pm 1^\circ$

UNLESS OTHERWISE SPECIFIED

CODE

C

DWG NO.

1700

8.27.08	CHANGE AS PER ECN 08-140	C
1.11.08	CHANGE AS PER ECN 08-044	B
4.20.93	REVISED	A
DATE	DESCRIPTION	REV.