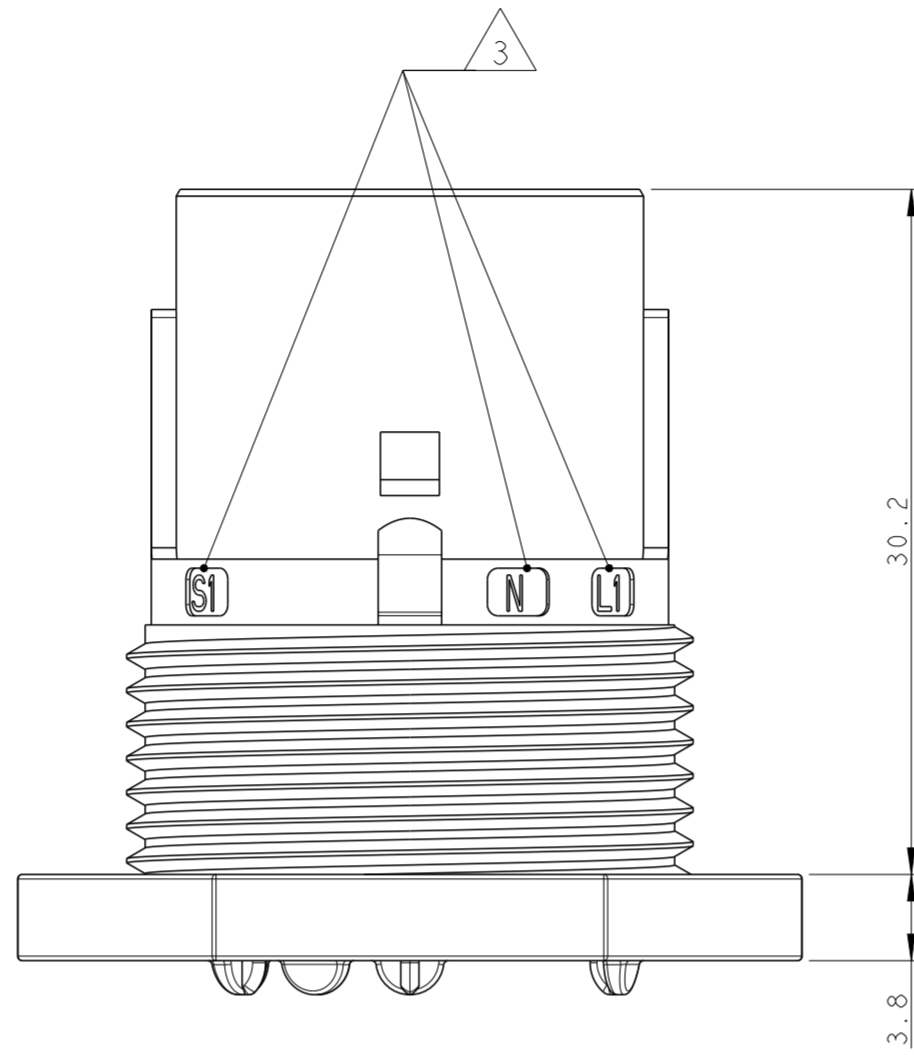
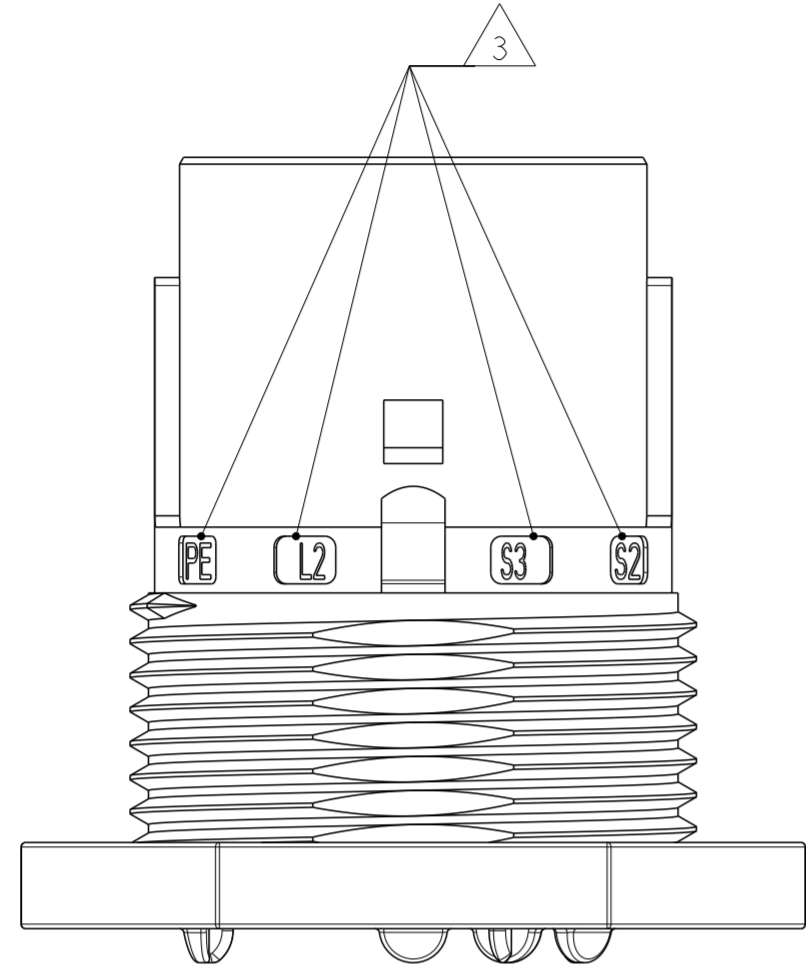


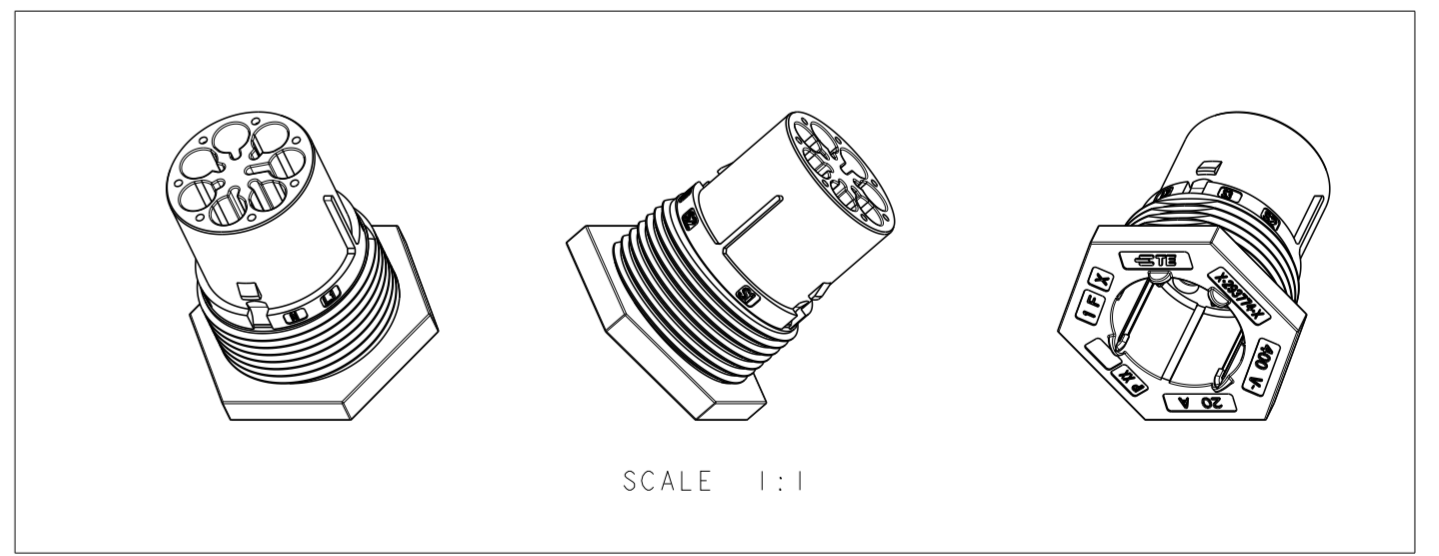
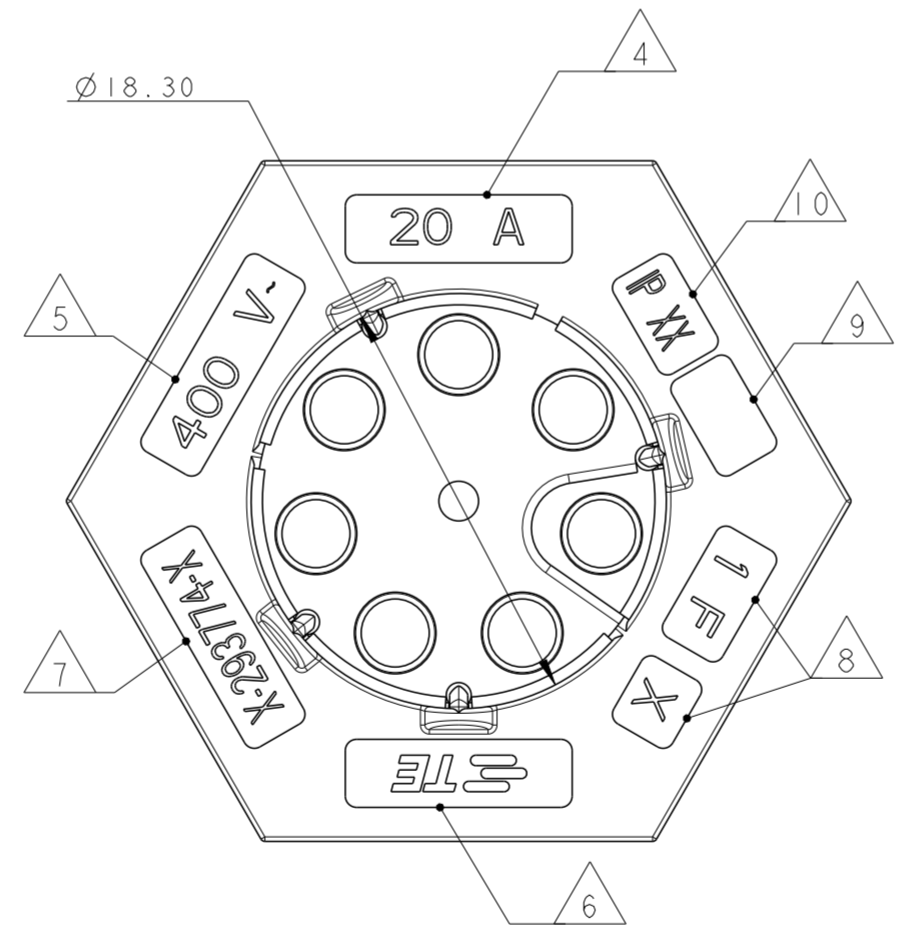
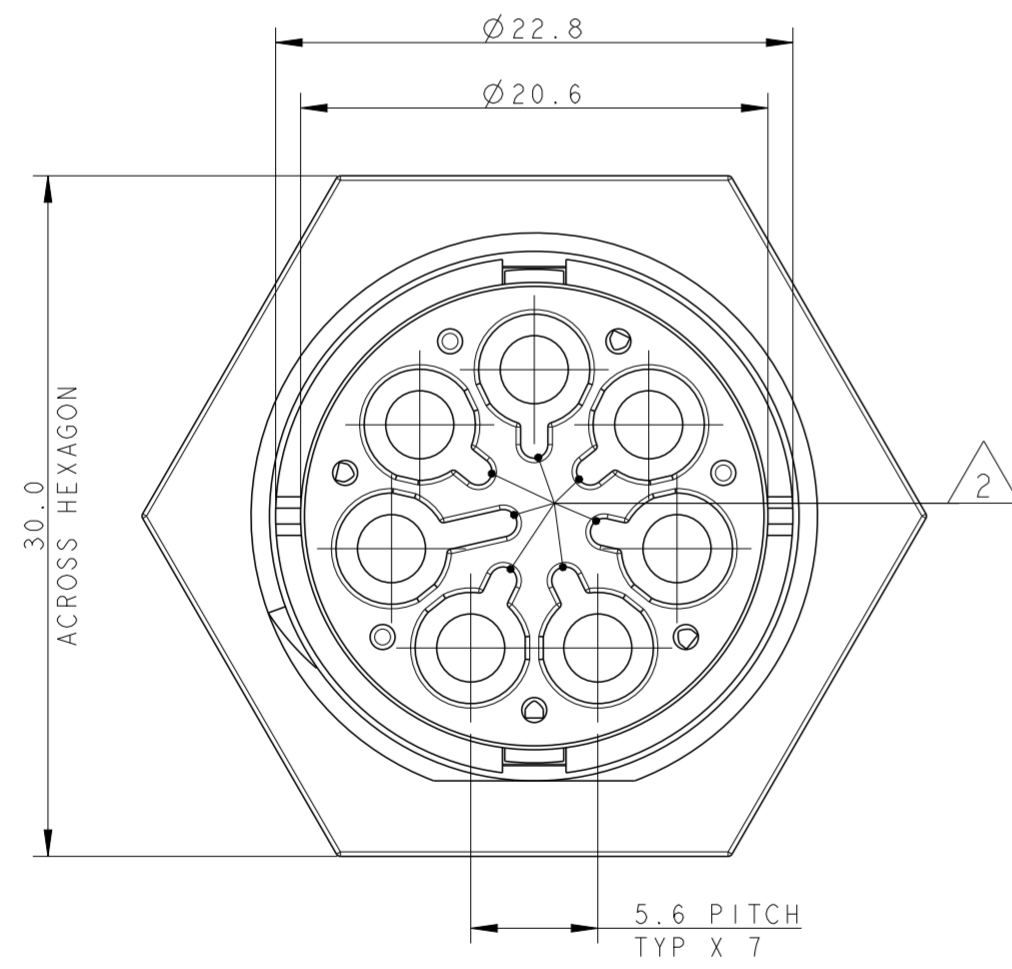
THIS DRAWING IS UNPUBLISHED. RELEASED FOR PUBLICATION 2011  
 © COPYRIGHT 2011 BY - ALL RIGHTS RESERVED.

LOC		DIST		REVISIONS			
P	LTR	DESCRIPTION		DATE	DWN	APVD	
	2	UPDATED		02MAY2011	AB	GT	
	3	UPDATED		22JUL2013	MZ	JC	
	4	REVISED LATCH SHAPE		02AUG2013	KR	JC	
	A	PARTS RELEASED FOR PRODUCTION		14NOV2013	MZ	JC	



NOTES:

- 1 MATERIAL: PA GF (NATURAL AND BLACK COLOUR)
- 2 ALL POLARIZATION KEYS SHOWN FOR REF ONLY
- 3 WAYS I.D.
- 4 CURRENT RATING
- 5 VOLTAGE RATING
- 6 TE LOGO
- 7 TE PART NUMBER
- 8 DATA CODE AND CAVITY I.D.
- 9 AREA FOR AGENCIES APPROVAL LOGO
- 10 IP CODE



THIS DRAWING IS A CONTROLLED DOCUMENT.		DWN	31MAR2011		<b>STE</b> TE Connectivity
		CHK	A. BERNARDI 31MAR2011		
		APVD	M. ZUCCA 31MAR2011		
		PRODUCT SPEC	G. TURCO 31MAR2011		
DIMENSIONS: mm		TOLERANCES UNLESS OTHERWISE SPECIFIED:			NAME
0 PLC ±		1 PLC ±0.3			PIN HOUSING 7 POLES PANEL MOUNT M-LINE NECTOR
1 PLC ±0.3		2 PLC ±0.20			
2 PLC ±0.20		3 PLC ±			
3 PLC ±		4 PLC ±			
4 PLC ±		ANGLES ±3°			SIZE
MATERIAL		FINISH			CAGE CODE
					DRAWING NO
					RESTRICTED TO
					A200779
					C-293774
					SCALE 3:1
					SHEET 1 OF 3
					REV A
					Customer Drawing

THIS DRAWING IS UNPUBLISHED. RELEASED FOR PUBLICATION 2011  
 © COPYRIGHT 2011 BY - ALL RIGHTS RESERVED.

LOC	DIST	REVISIONS			
P	LTR	DESCRIPTION	DATE	DWN	APVD
-	-	SEE SHEET 1	-	-	-

### POLARIZATION TYPES

POLARIZATION TYPE "A"	POLARIZATION TYPE "B"	POLARIZATION TYPE "C"
PNs 0-293774-1 AND 1-293774-1	PNs 0-293774-2 AND 1-293774-2	PNs 0-293774-3 AND 1-293774-3
POLARIZATION TYPE "D"	POLARIZATION TYPE "E"	
PNs 0-293774-4 AND 1-293774-4	PNs 0-293774-5 AND 1-293774-5	

NOTE	POL. KEYING	COLOUR	DESCRIPTION	REV.	P/N
1	E	BLACK	PIN HSG 7 POLE PANEL MOUNT NECTOR* M-LINE	A	1-293774-5
1	D	BLACK	PIN HSG 7 POLE PANEL MOUNT NECTOR* M-LINE	A	1-293774-4
1	C	BLACK	PIN HSG 7 POLE PANEL MOUNT NECTOR* M-LINE	A	1-293774-3
1	B	BLACK	PIN HSG 7 POLE PANEL MOUNT NECTOR* M-LINE	A	1-293774-2
1	A	BLACK	PIN HSG 7 POLE PANEL MOUNT NECTOR* M-LINE	A	1-293774-1
1	E	NATURAL	PIN HSG 7 POLE PANEL MOUNT NECTOR* M-LINE	A	0-293774-5
1	D	NATURAL	PIN HSG 7 POLE PANEL MOUNT NECTOR* M-LINE	A	0-293774-4
1	C	NATURAL	PIN HSG 7 POLE PANEL MOUNT NECTOR* M-LINE	A	0-293774-3
1	B	NATURAL	PIN HSG 7 POLE PANEL MOUNT NECTOR* M-LINE	A	0-293774-2
1	A	NATURAL	PIN HSG 7 POLE PANEL MOUNT NECTOR* M-LINE	A	0-293774-1

THIS DRAWING IS A CONTROLLED DOCUMENT.

DWN	A. BERNARDI	31MAR2011
CHK	M. ZUCCA	31MAR2011
APVD	G. TURCO	31MAR2011

**STE** TE Connectivity

NAME: PIN HOUSING 7 POLES PANEL MOUNT M-LINE NECTOR

SIZE	CAGE CODE	DRAWING NO	RESTRICTED TO
A2	0779	C-293774	-

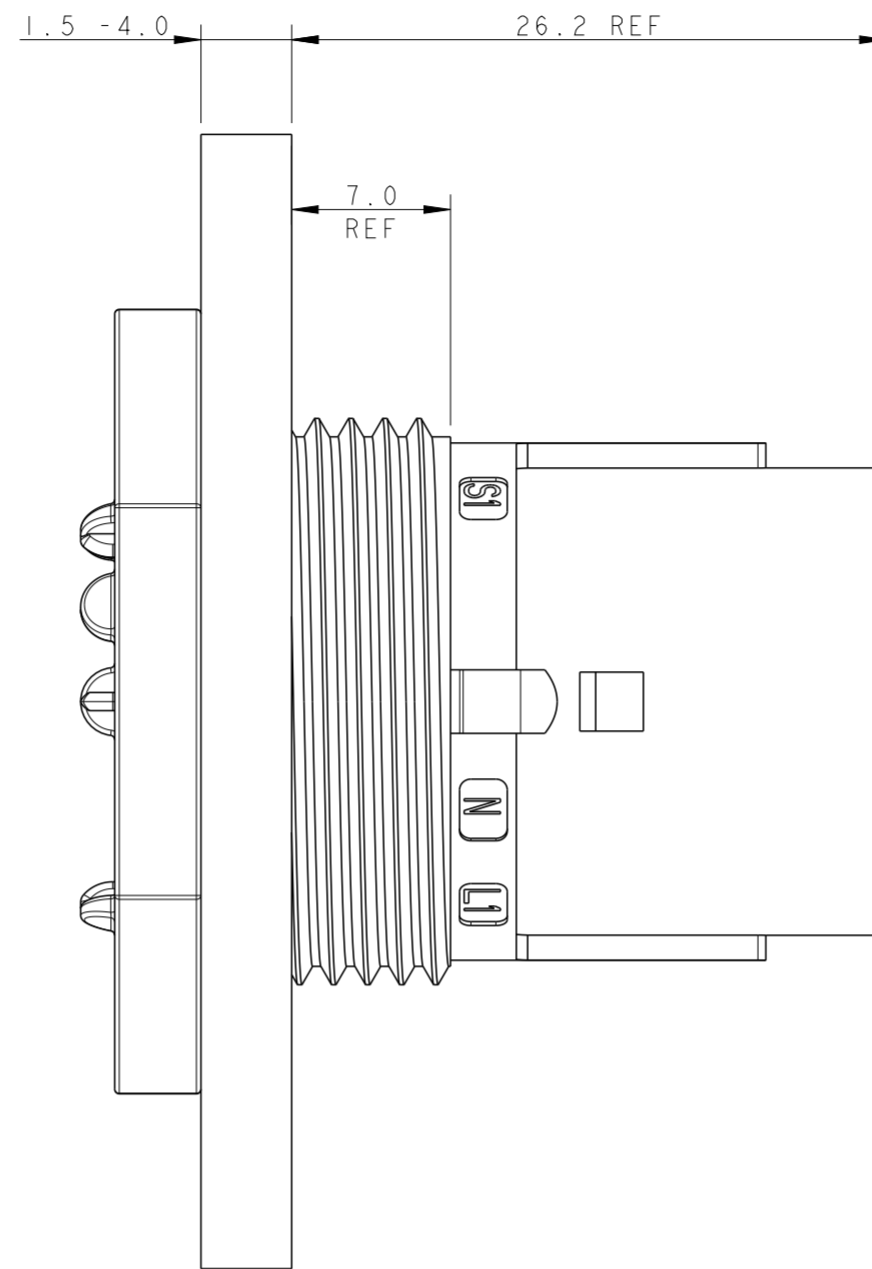
Customer Drawing SCALE 3:1 SHEET 2 OF 3 REV A

DIMENSIONS:	TOLERANCES UNLESS OTHERWISE SPECIFIED:
mm	0 PLC ±
	1 PLC ±0.3
	2 PLC ±0.20
	3 PLC ±
	4 PLC ±
	ANGLES ±3°
MATERIAL	FINISH
-	-

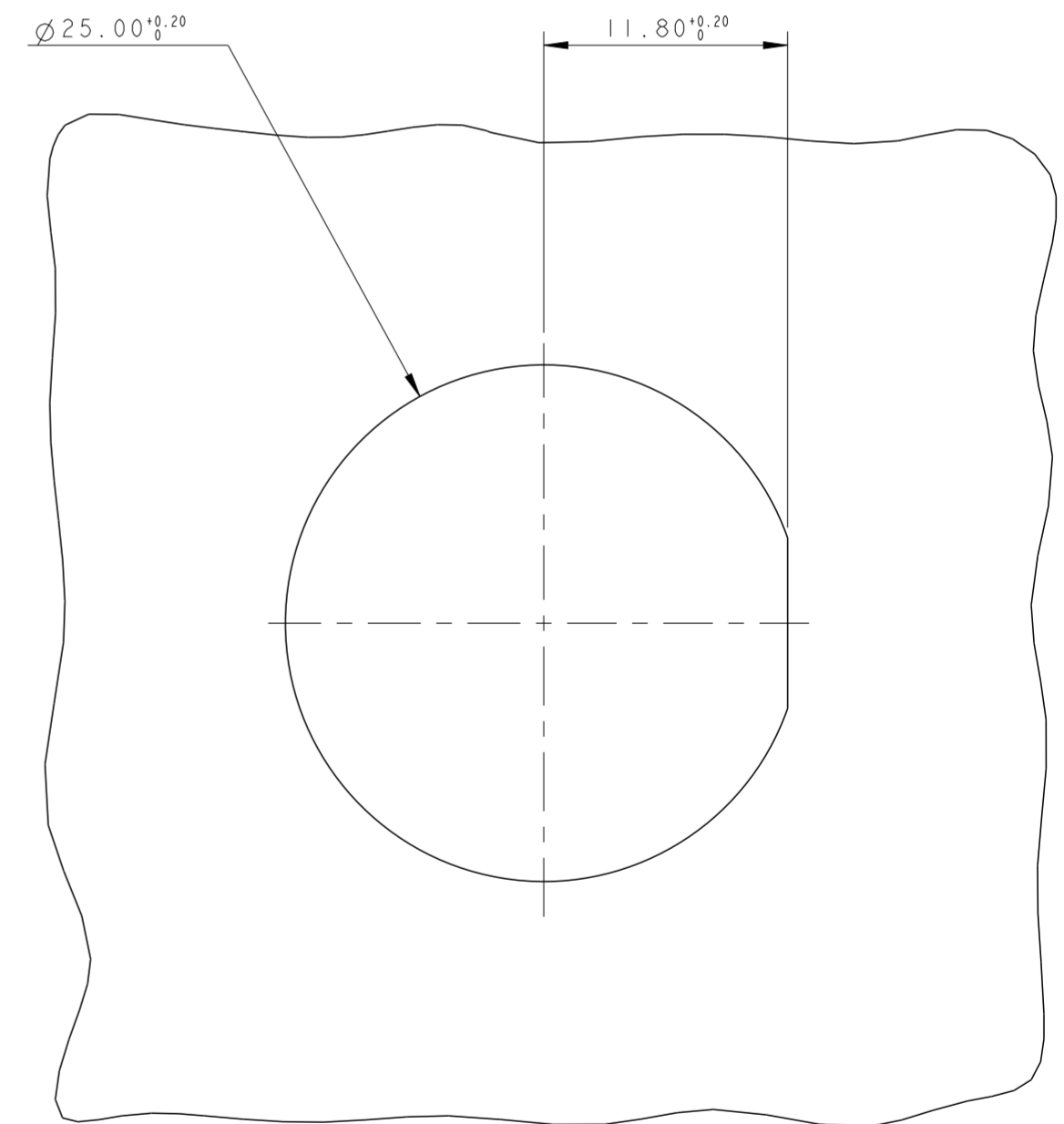
THIS DRAWING IS UNPUBLISHED. RELEASED FOR PUBLICATION 2011  
 © COPYRIGHT 2011 BY - ALL RIGHTS RESERVED.

LOC		DIST		REVISIONS			
P	LTR	DESCRIPTION	DATE	DWN	APVD		
-	-	SEE SHEET 1	-	-	-		

### PN 293774-3 AS SHOWN



### PANEL/WALL SUGGESTED LAYOUT



3D VIEWS FOR REFERENCE ONLY  
 PN 293774-3 AS SHOWN



SCALE 1:1

THIS DRAWING IS A CONTROLLED DOCUMENT.		DWN A. BERNARDI 31MAR2011	 TE Connectivity	
DIMENSIONS: mm		CHK M. ZUCCA 31MAR2011		
TOLERANCES UNLESS OTHERWISE SPECIFIED:		APVD G. TURCO 31MAR2011	NAME PIN HOUSING 7 POLES PANEL MOUNT M-LINE NECTOR	
0 PLC ± 1 PLC ±0.3 2 PLC ±0.20 3 PLC ± 4 PLC ±		PRODUCT SPEC -	RESTRICTED TO -	
ANGLES ±3°		APPLICATION SPEC -	SIZE A200779	CAGE CODE C-293774
FINISH		WEIGHT -	DRAWING NO -	
MATERIAL		Customer Drawing	SCALE 3:1	SHEET 3 OF 3