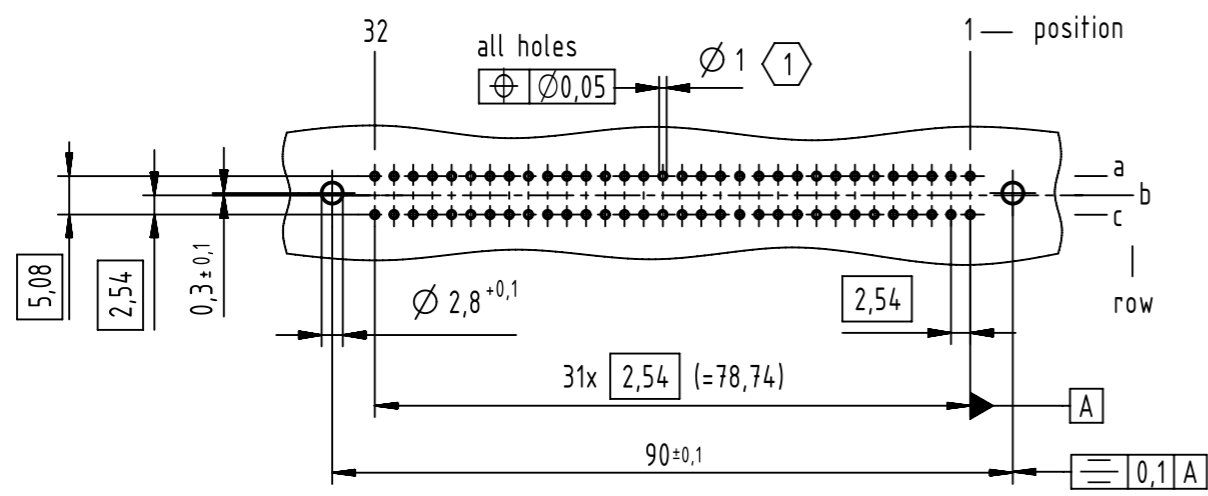


1 2 3 4 5 6 7 8

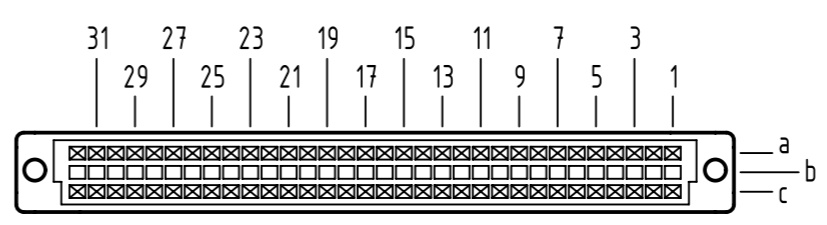
A
B
C
D
E
F

A
B
C
D
E
F

A
board drillings



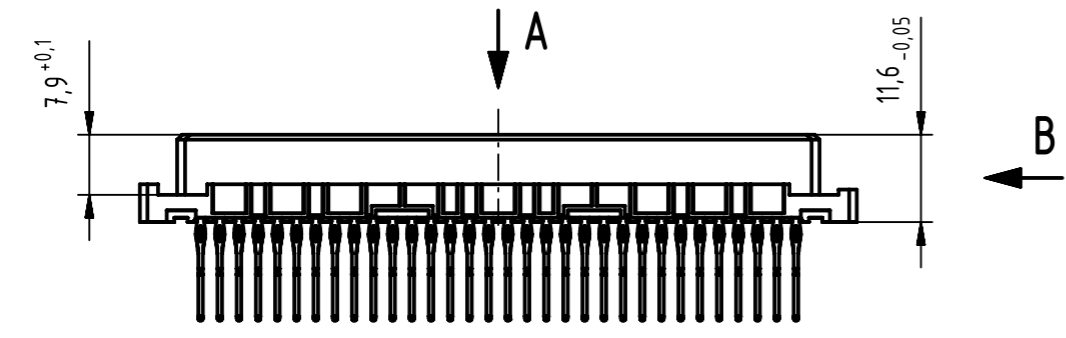
A
contact arrangement



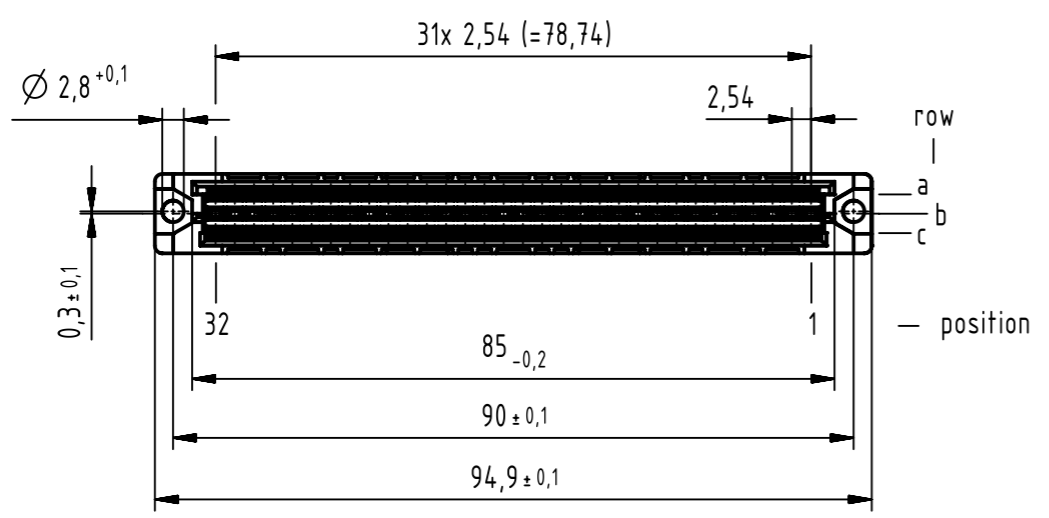
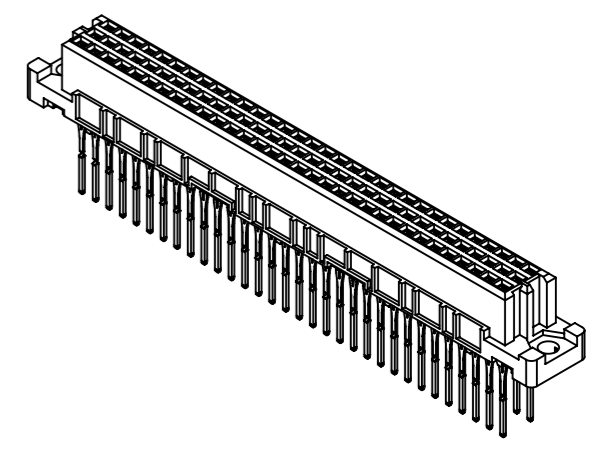
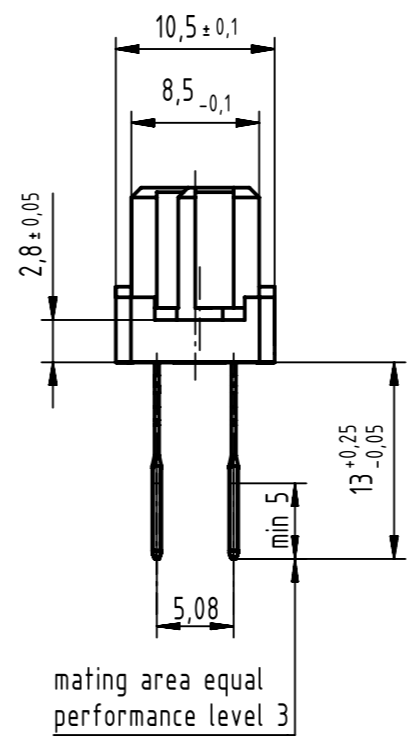
64 press-in contacts

☒ = position with contact

□ = position without contact



B (2:1)



1 recommended configuration of plated through holes and further information see: DS 09032100001

09 03 264 6861	2
part-no	performance level 1

	All rights reserved	Created by	Inspected by	Standardisation	Date	State	
	Department EC PD - DE	STORCK	LEHNERT	KOHLER	2016-05-20	Final Release	
HARTING Electronics GmbH		Title				Doc-Key / ECM-Nr.	
D-32339 Espelkamp		DIN Signal type C female press-in 13.0 64-pole				100173852/UGD/244/D 500000104358	
Type	TB	Number	0903264X861		Rev.	Page	
					D	1/1	

1 2 3 4 5 6 7 8