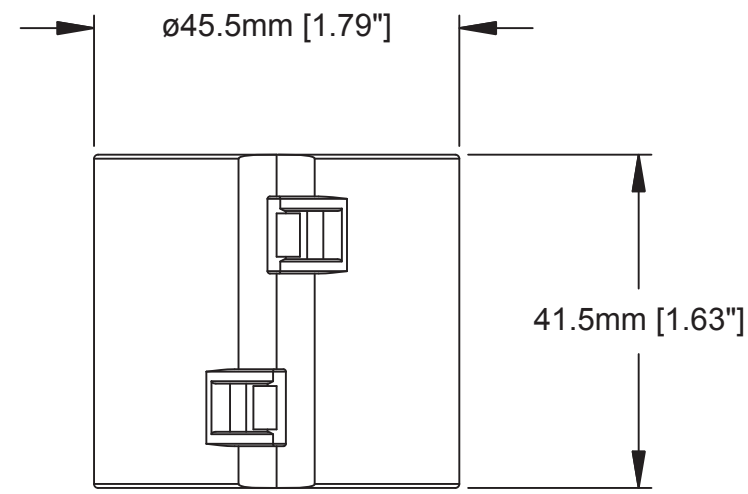
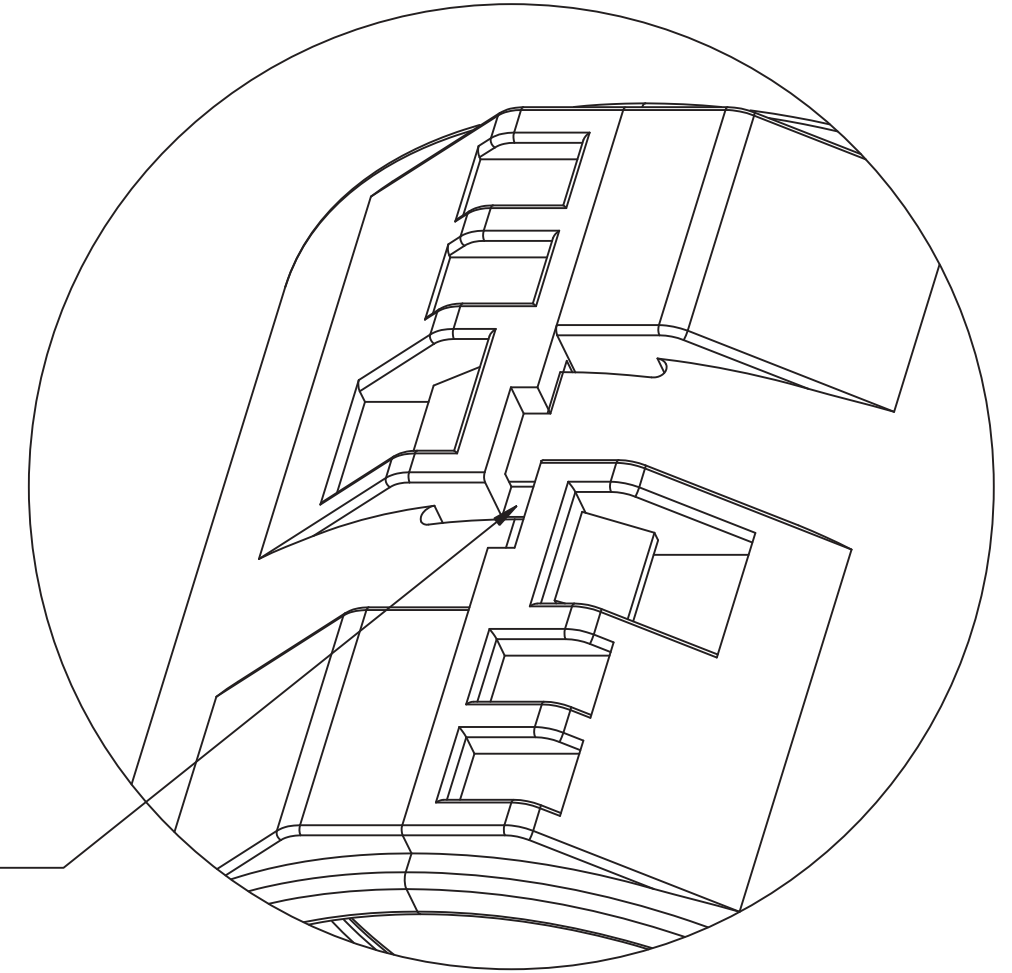
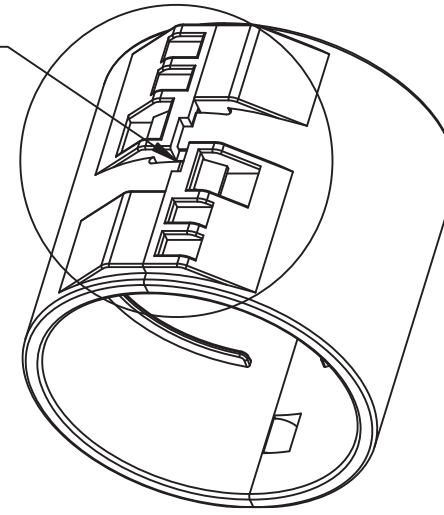


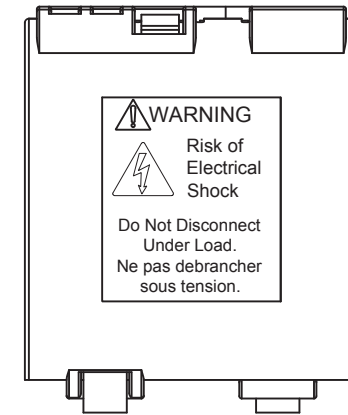
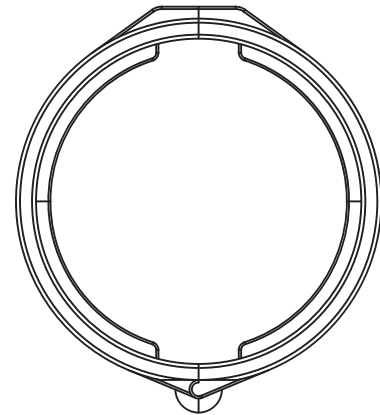
REVISIONS					
REV	ECO	DESCRIPTION	DATE	BY	APPR
A1	-	TECHNICAL DATA SHEET RELEASE	12-MAY-14	KMM	RFC



TO DISENGAGE: PLACE FLAT HEAD SCREWDRIVER HERE AND TURN COUNTER-CLOCKWISE.



TO DISENGAGE: PLACE FLAT HEAD SCREWDRIVER HERE AND TURN COUNTER-CLOCKWISE.



Risk of Electrical Shock
Do Not Disconnect Under Load.
Risque de chocs electriques
Ne pas debrancher sous tension.

WARNING

QUANTITY	PART NUMBER	DESCRIPTION	ITEM										
MATERIALS LIST													
UNLESS OTHERWISE SPECIFIED 1) All dimensions are in metric(mm). 2) Tolerances are as follows: 1 PL DEC ±0.30 Fractions ±1/64 2 PL DEC ±0.15 Angles ±1° 3 PL DEC ±0.08 3) Note reference =		<table border="1"> <thead> <tr> <th>SIGNATURES</th> <th>DATE</th> </tr> </thead> <tbody> <tr> <td>DRAWN: KMM</td> <td>12-MAY-14</td> </tr> <tr> <td>CHECKED: MRF</td> <td>12-MAY-14</td> </tr> <tr> <td>ENGINEER: KMM</td> <td></td> </tr> <tr> <td>APPROVAL: RFC</td> <td>12-MAY-14</td> </tr> </tbody> </table>	SIGNATURES	DATE	DRAWN: KMM	12-MAY-14	CHECKED: MRF	12-MAY-14	ENGINEER: KMM		APPROVAL: RFC	12-MAY-14	<p style="text-align: center; font-size: 24pt;">Amphenol</p> <p style="text-align: center;">Sine Systems - www.amphenol-sine.com 44724 Morley Drive Clinton Township, MI 48036</p>
SIGNATURES	DATE												
DRAWN: KMM	12-MAY-14												
CHECKED: MRF	12-MAY-14												
ENGINEER: KMM													
APPROVAL: RFC	12-MAY-14												
MATERIAL SPECIFICATIONS:		M35 TRUNK LOCKING CLIP											
PROCESS SPECIFICATIONS:		<table border="1"> <tr> <td>SIZE</td> <td>TYPE</td> <td>DWG NO:</td> <td>REVISION</td> </tr> <tr> <td></td> <td>C-</td> <td>P29040</td> <td>A1</td> </tr> </table>		SIZE	TYPE	DWG NO:	REVISION		C-	P29040	A1		
SIZE	TYPE	DWG NO:	REVISION										
	C-	P29040	A1										
NEXT ASSY:		SCALE: FULL	C-P29040 SHEET 1 OF 1										

TECHNICAL DATA:

- 1) MATERIALS: THERMOPLASTIC COLOR: BLACK
- 2) RoHS COMPLIANT

TITLE: M35 TRUNK LOCKING CLIP
DWG NO: C-P29040
REV: A1
SH: 1
OF: 1