


| | | | |
|------|------|-------------|----------|
| SIGN | DATE | DESCRIPTION | APPROVER |
| | | | |

THIS IS CAD DRAWING, DO NOT REVISE MANUALLY!!!

Material

- Terminal body
- (metal housing): Brass(CuZn)
- Terminal screw: Steel Zinc plating "-" slot type
- Contacts: Brass
- Surface of solder tail: Tin plated
- Insulator (housing): Thermoplastic (UL94V-0)

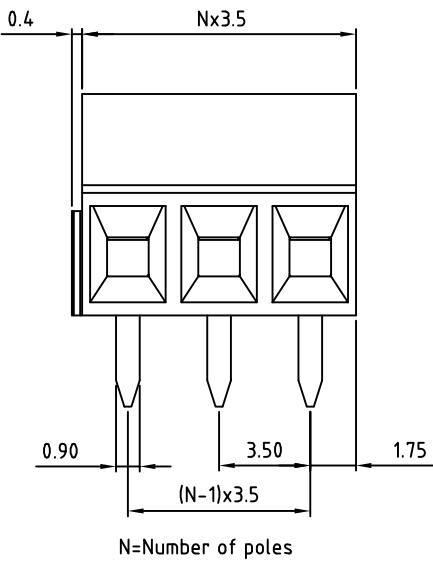
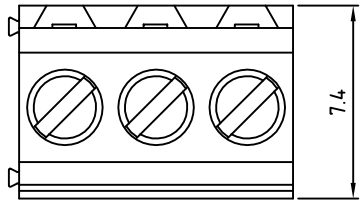
Electrical UL

- Voltage rating: 300VAC
- Current rating: 10A
- Wire range:
 - Solid wire(AWG): 16-24
 - Stranded wire(AWG): 16-24
- Torque(Lb-In): 1.7
- Screw: M2
- Wire strip length: 5-6mm
- Withstanding Voltage: 1.3KV
- Operating temperature: -30°C to +105°C
- Soldering temperature: 250°C±10°C/5 Sec
- Safety Approval:  US

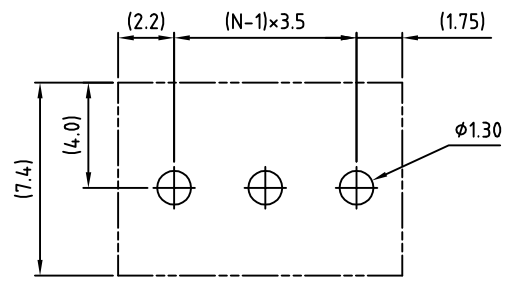
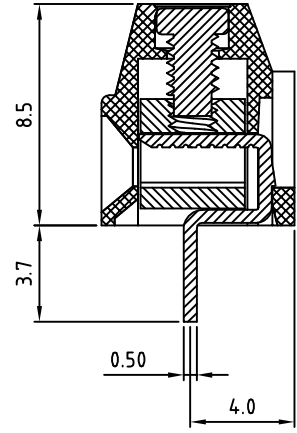
RoHS Compliant

PART NUMBER:
OSTYOXX0150

| | |
|--------------|---------------------|
| No. of Poles | COLOR |
| 02: 2 Poles | 0: Black |
| 03: 3 Poles | 5: Green (Standard) |
| | 6: Blue |
| 24 24 Poles | 8: Grey |

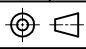


P.C.B LAYOUT



THESE DRAWINGS AND SPECIFICATIONS ARE THE PROPERTY OF ON-SHORE TECHNOLOGY, INC. AND SHALL NOT BE REPRODUCED, COPIED OR USED IN ANY MANNER WITHOUT THE PRIOR WRITTEN CONSENT OF ON-SHORE TECHNOLOGY, INC.



| | | | | | |
|------------|-------------|---------------------------------------|-----------------|---|-------------|
| TITLE | | OSTYO 3.5mm Series solid block 2p-24p | | | |
| PART NO. | OSTYOXX0150 | DWG NO. | OSTYOXX0150.DWG | | |
| APPROVED | CHECKED | DESIGNED | DRAWN | CUST NO. | Tolerance |
| Shi Jun | Shi Jun | xionghaitao | xionghaitao | | X. ±0.50 |
| 2006.10.20 | 2006.10.20 | 2006.10.20 | 2006.10.20 | | X.X ±0.30 |
| | | | |  | UNIT: mm |
| | | | | | SCALE: NONE |
| | | | | SHEET: 01/01 | REV: E |
| | | | | | X.XX ±0.10 |
| | | | | | X° ±1° |