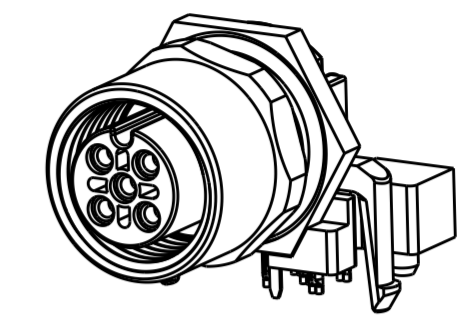
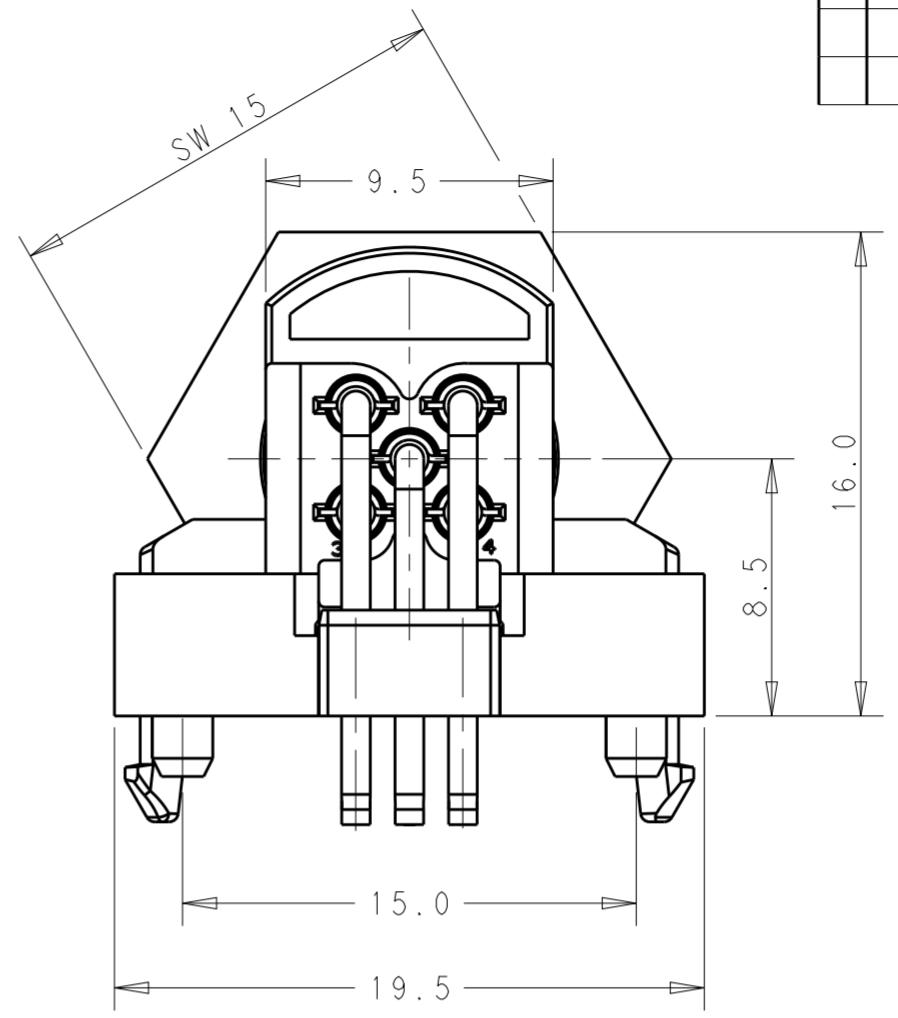
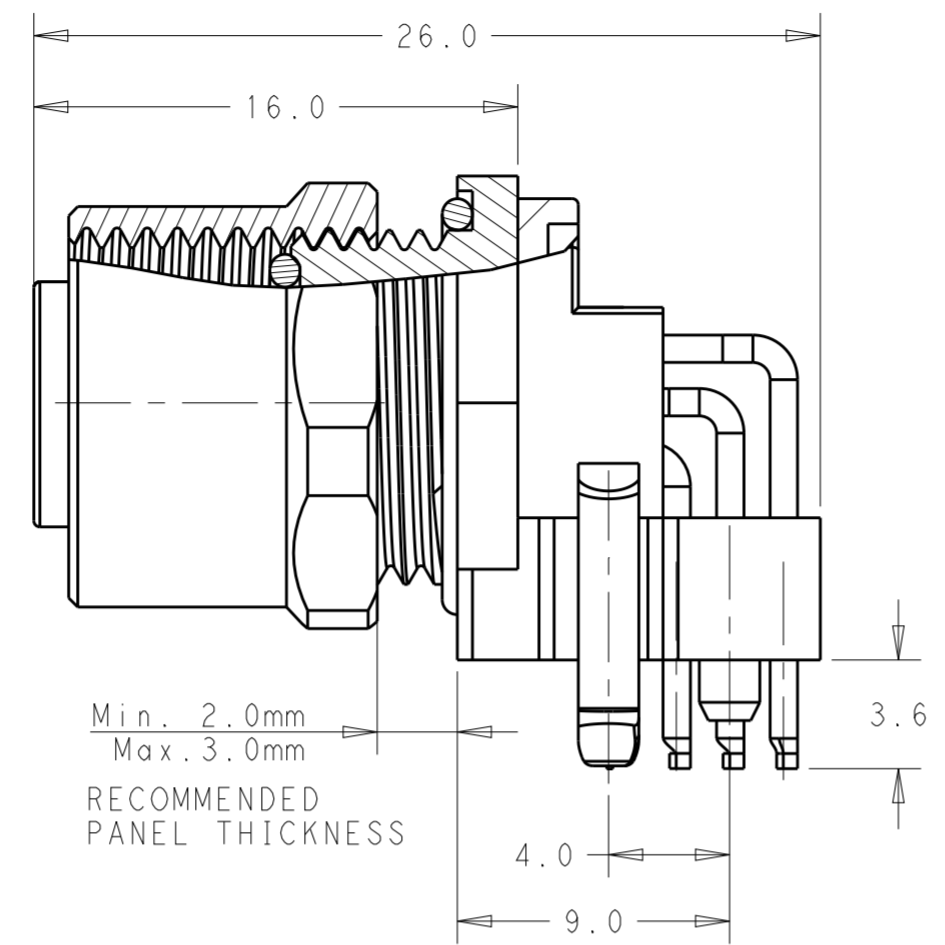
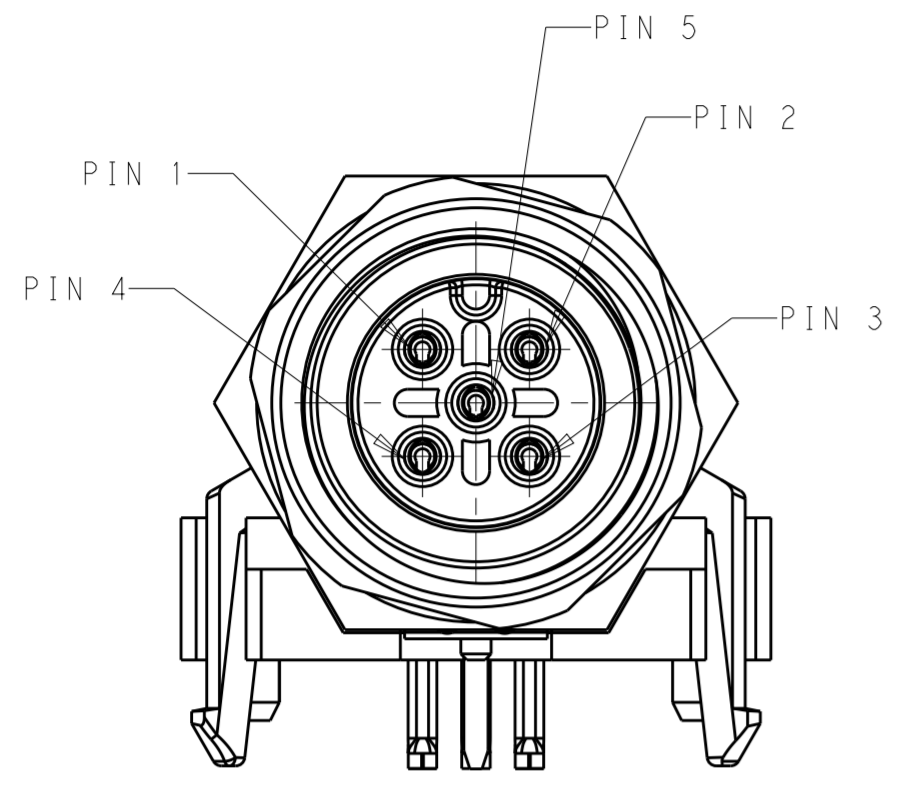


THIS DRAWING IS UNPUBLISHED. RELEASED FOR PUBLICATION 20
 © COPYRIGHT 20 BY - ALL RIGHTS RESERVED.

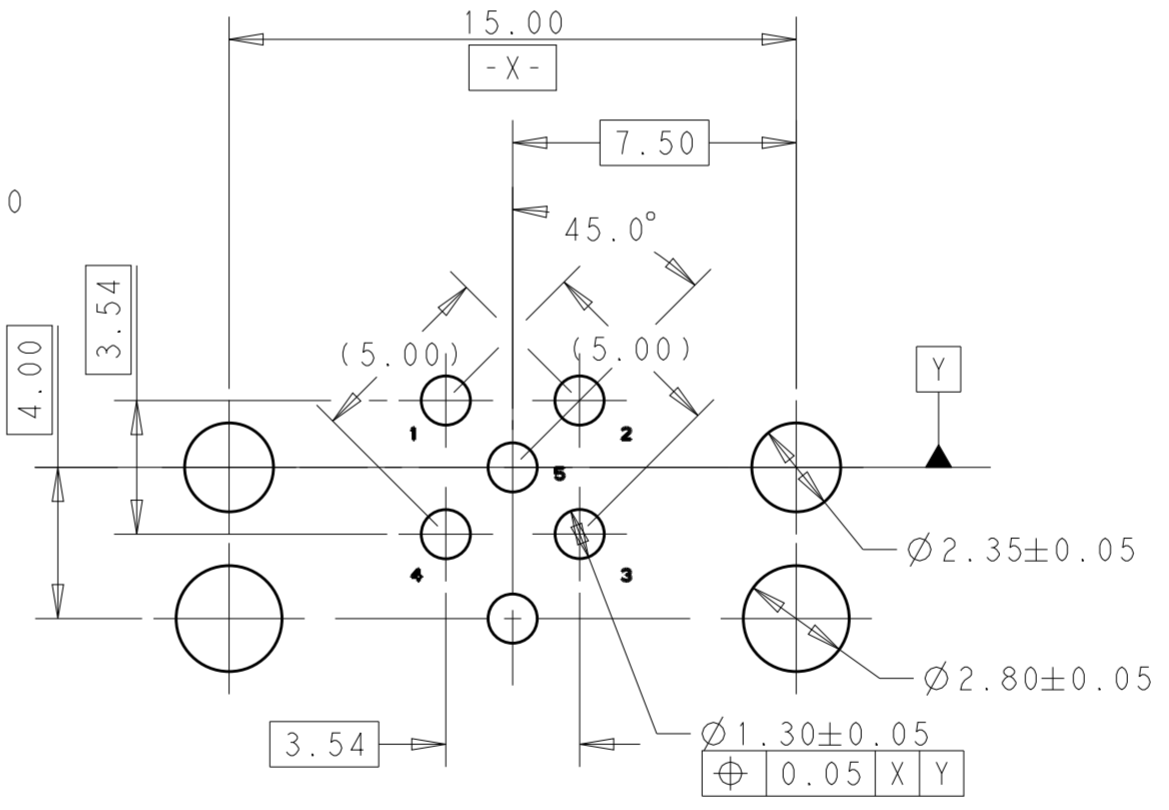
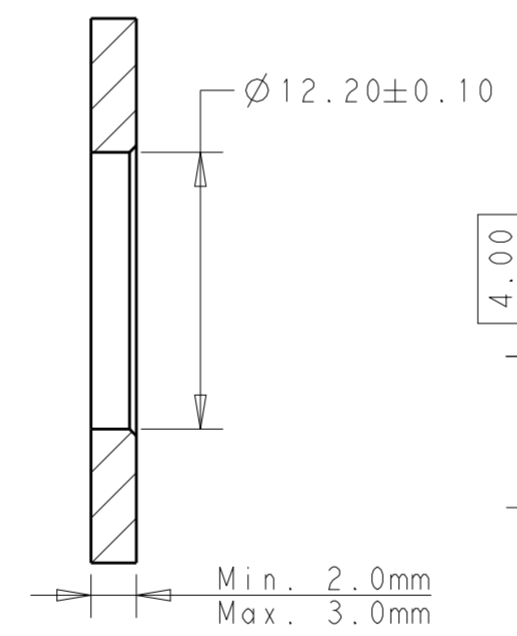
REVISIONS				
P	LTR	DESCRIPTION	DATE	APVD
A		INITIAL RELEASE	27OCT2016	N.P X.X



- NOTES:
1. TECHNICAL DATA: SEE TABLE 1
 2. PIN ARRANGEMENT: SEE TABLE 2
 3. RECOMMEND TORQUE 0.6Nm
 4. ALL PRODUCT MUST COMPLIANCE WITH ROHS AND REACH.

TABLE 1

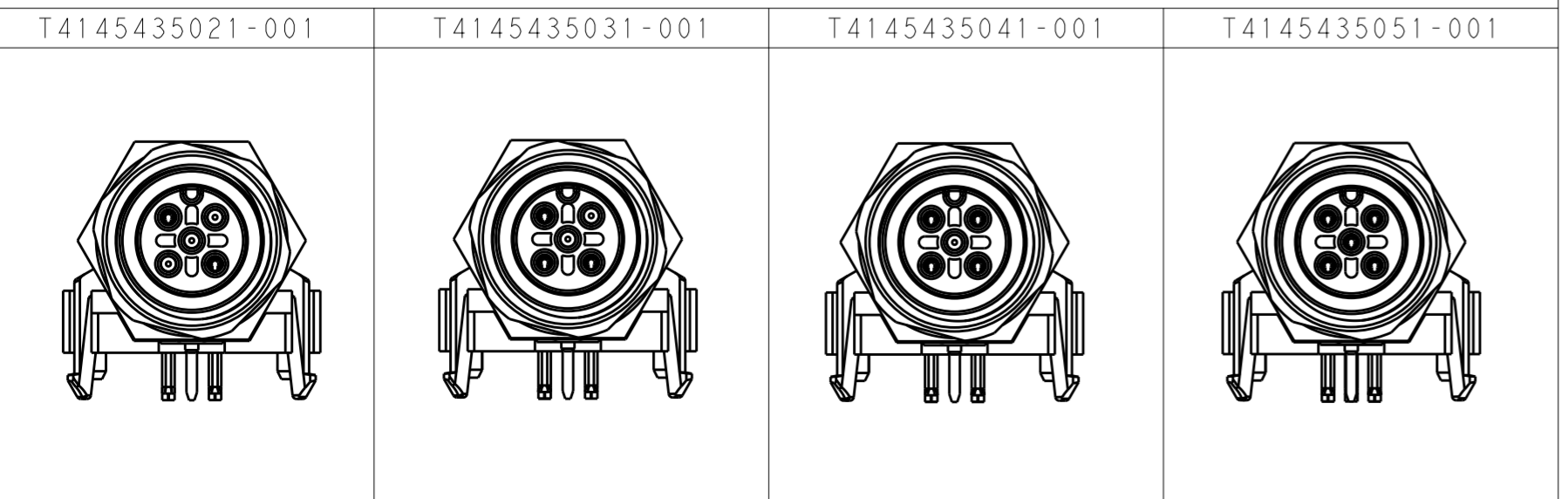
TECHNICAL DATA	T4145435021-001	T4145435031-001	T4145435041-001	T4145435051-001
RATED VOLTAGE	250V	250V	250V	60V
TATED IMPULSE VOLTAGE	2500V	2500V	2500V	1500V
RATED CURRENT	4A	4A	4A	4A
POLLUTION DEGREE	3	3	3	3
OVERVOLTAGE CATEGORY	II	II	II	II
MATERIAL GROUP	II	II	II	II
CONTACT RESISTANCE	≤5mΩ	≤5mΩ	≤5mΩ	≤5mΩ
INSULATION RESISTANCE	>100MΩ	>100MΩ	>100MΩ	>100MΩ
DEGREE OF PROTECTION	IP67	IP67	IP67	IP67
OPERATION TEMPERATURE	-40~85°C	-40~85°C	-40~85°C	-40~85°C



- 注意事项
1. 技术参数: 见表1
 2. PIN 针排布见表2;
 3. 推荐扭矩0.6Nm;
 4. 产品必须符合ROHS与REACH.

TABLE 2

PIN ARRANGEMENT D-CODE



COMMENTS	MATERIAL	DESCRIPTION	ITEM
	COPPER ALLOY	SHIELDING	8
	PA66	SPACER	7
-	COPPER ALLOY	NUT	6
-	PRUBBER	O-RING	5
-	COPPER ALLOY	COUPLING NUT	4
	RUBBER	O-RING	3
BALCK COLOR	PA66	HOUSING	2
GOLD FLASH	COPPER ALLOY	CONTACT	1

TYPE	POS.	PART NUMBER
RPC-M12B-FF-5CON-M12-LPSH1	5	T4145435051-001
RPC-M12B-FF-4CON-M12-LPSH1	4	T4145435041-001
RPC-M12B-FF-3CON-M12-LPSH1	3	T4145435031-001
RPC-M12B-FF-2CON-M12-LPSH1	2	T4145435021-001

THIS DRAWING IS A CONTROLLED DOCUMENT.

DWN Nick Pan 26AUG2016
 CHK Kobby Zhao 26AUG2016
 APVD Xiang Xu 26AUG2016

TE Connectivity

M12 RECEPTACLE CONNECTOR, PCB ASSEMBLY, ANGLED, SHIELDED, B-CODE

SIZE A2 CAGE CODE - DRAWING NO. G-T41454350X1001 RESTRICTED TO -

MATERIAL TBD finish_spec_2 WEIGHT - SCALE 5:1 SHEET 1 OF 1 REV A