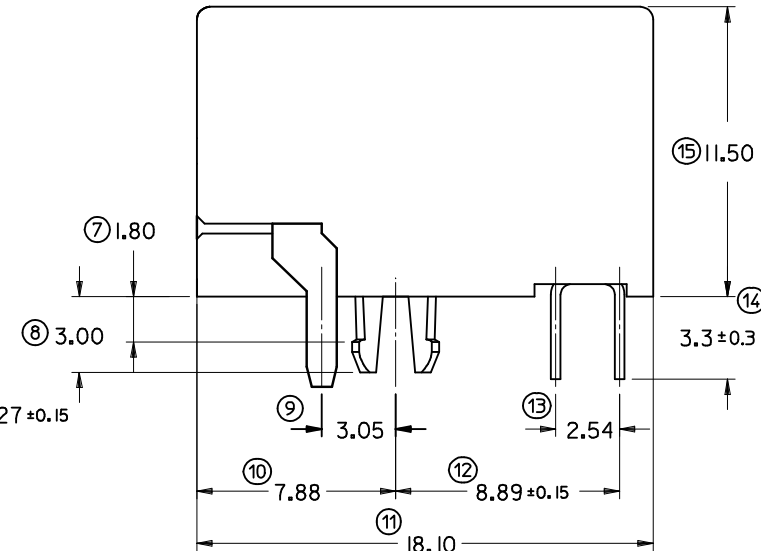
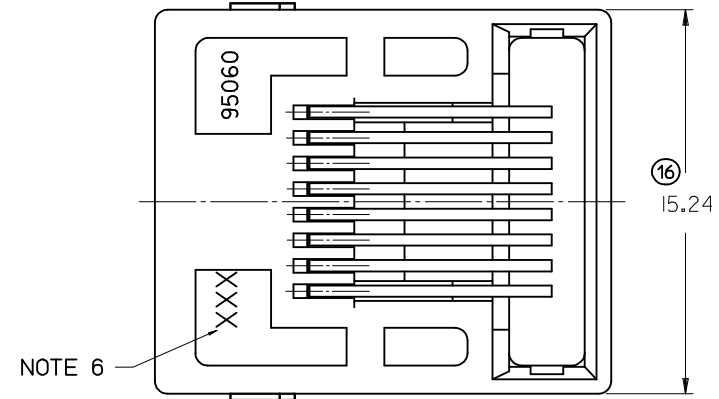
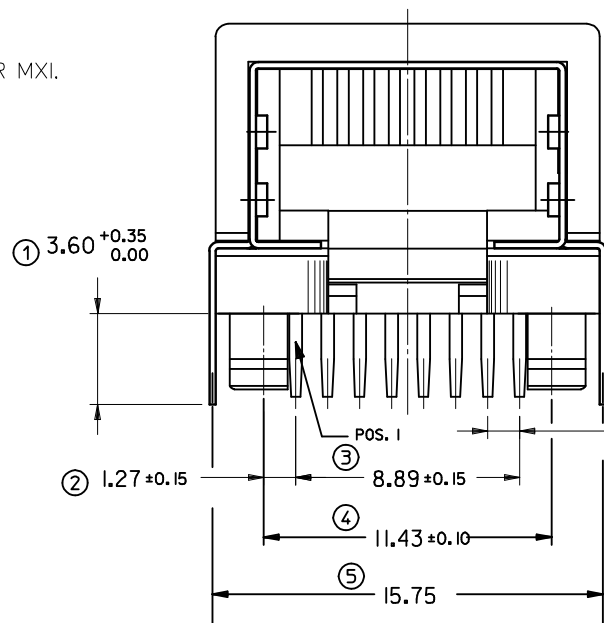
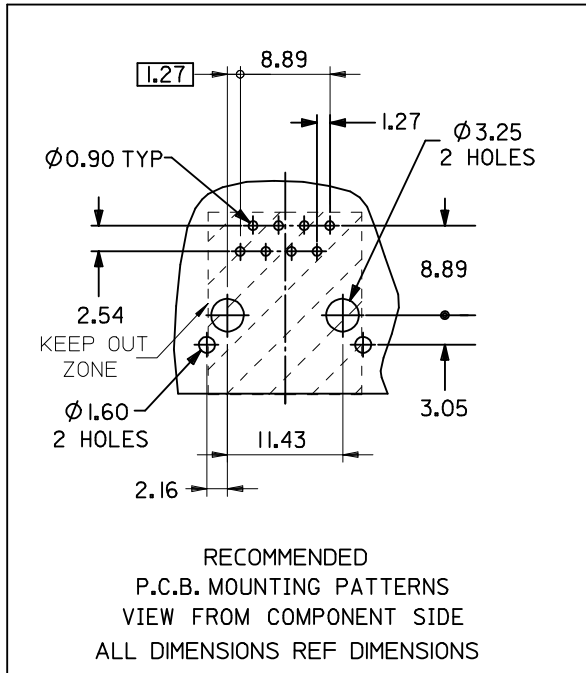


NOTES:

- 1- MATERIAL :
HOUSING : - LCP GLASS FILLED UL 94V0, COLOR: BLACK
TERMINAL : COPPER ALLOY PLATED WITH :
BASE FINISH: NICKEL
CONTACT SURFACE FINISH:
GOLD
OR
GOLD FLASH OVER PALLADIUM NICKEL.
EXCEEDS PRODUCT REQUIREMENTS BASED ON PS-95540-002
SHIELD : COPPER ALLOY PLATED WITH TIN
- 2- P.C. BOARD THICKNESS : 1.57 ±0.15
- 3- JACK FOR MATING WITH IEC 60603-7 AND TIA-1096-A PLUGS
95043 MOLEX SERIES.
- 4- PRODUCT SPECIFICATION: PS-95540-002
- 5- PACKAGING SPECIFICATION: MOLEX PK-95040
- 6- MANUFACTURING I.D. CAN BE EITHER MXF, MG OR MXI.
LAST INSPECTION NUMBER: 16

PART NUMBER
95540-2881



REMOVED OPTION EC NO: IPG2012-0697 2012/04/02 DRW:DBYRNES CHKD:FJUGAN 2012/04/17 APPR:EFOLAN 2012/06/26	QUALITY SYMBOLS ▽=0 ◻=0	GENERAL TOLERANCES (UNLESS SPECIFIED)		DIMENSION STYLE MM ONLY		SCALE 5:1	DESIGN UNITS METRIC	THIRD ANGLE PROJECTION	
		mm	INCH	DRAWN BY KNOLLER	DATE 04/06/18	TITLE RIGHT ANGLE LOW PROFILE SHIELDED PC JACK (THROUGH HOLE VERSION)			
		4 PLACES ± --- ± ---	3 PLACES ± --- ± ---	CHECKED BY FCARABET	DATE 04/08/28	MOLEX INCORPORATED			
		2 PLACES ± 0.1 ± ---	1 PLACE ± 0.15 ± ---	APPROVED BY KNOLLER	DATE 04/06/29	DOCUMENT NO. SD-95540-001			
		ANGULAR ±1/2°		MATERIAL NO. SEE CHART		SHEET NO. 1 OF 3			
DRAFT WHERE APPLICABLE MUST REMAIN WITHIN DIMENSIONS		SIZE A3		THIS DRAWING CONTAINS INFORMATION THAT IS PROPRIETARY TO MOLEX INCORPORATED AND SHOULD NOT BE USED WITHOUT WRITTEN PERMISSION					