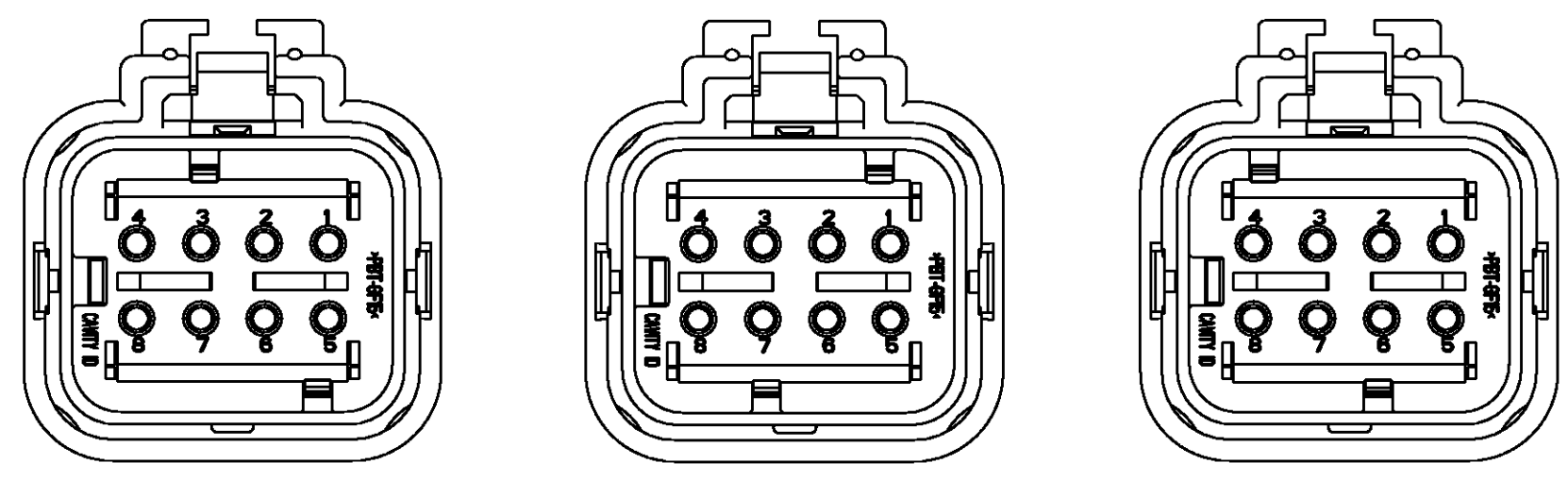
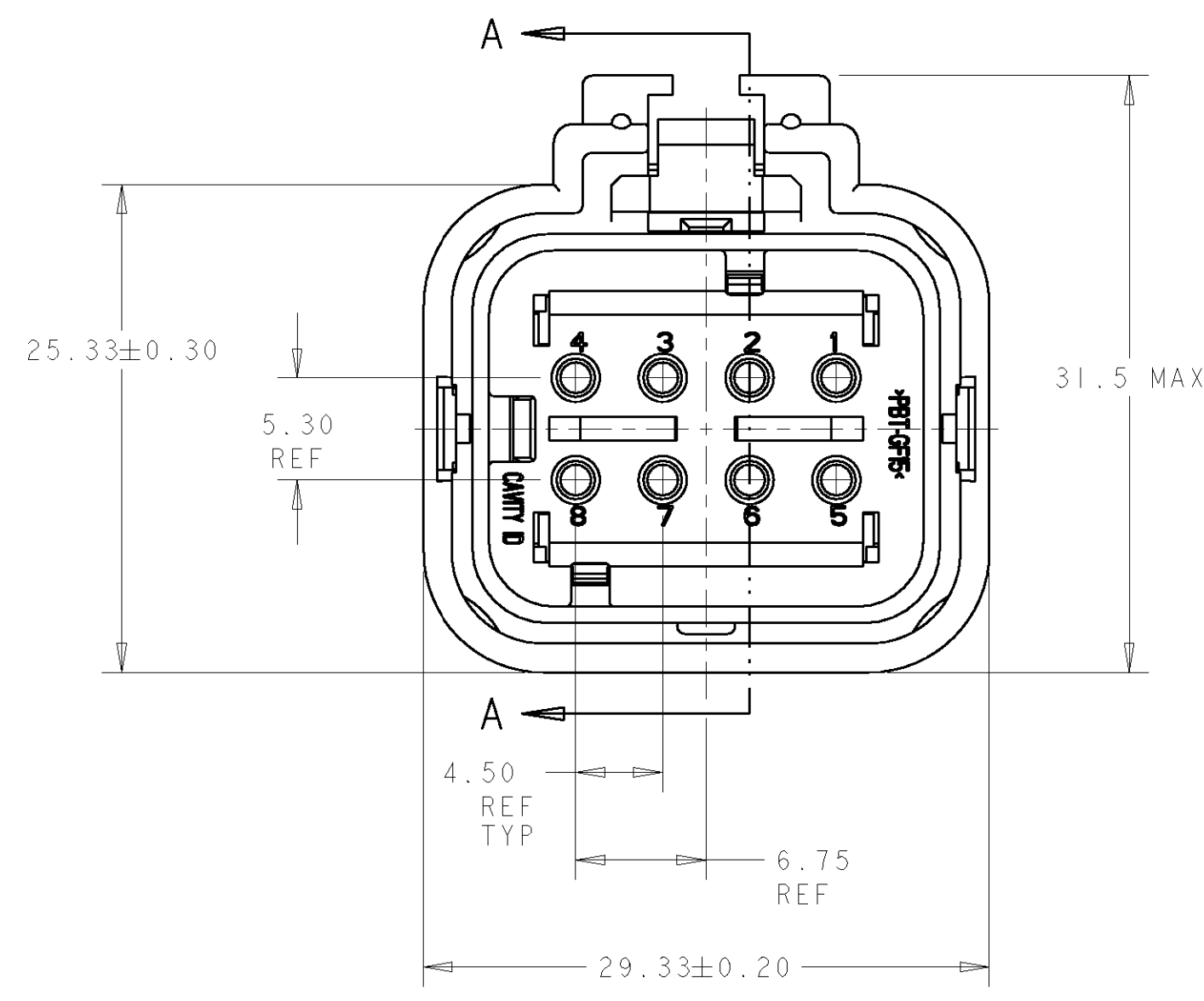


LOC	DIST	REVISIONS			
P	LTR	DESCRIPTION	DATE	DWN	APVD
GE	00				
	D1	REVISED PER ECO-11-005294	30APR11	RK	HMR

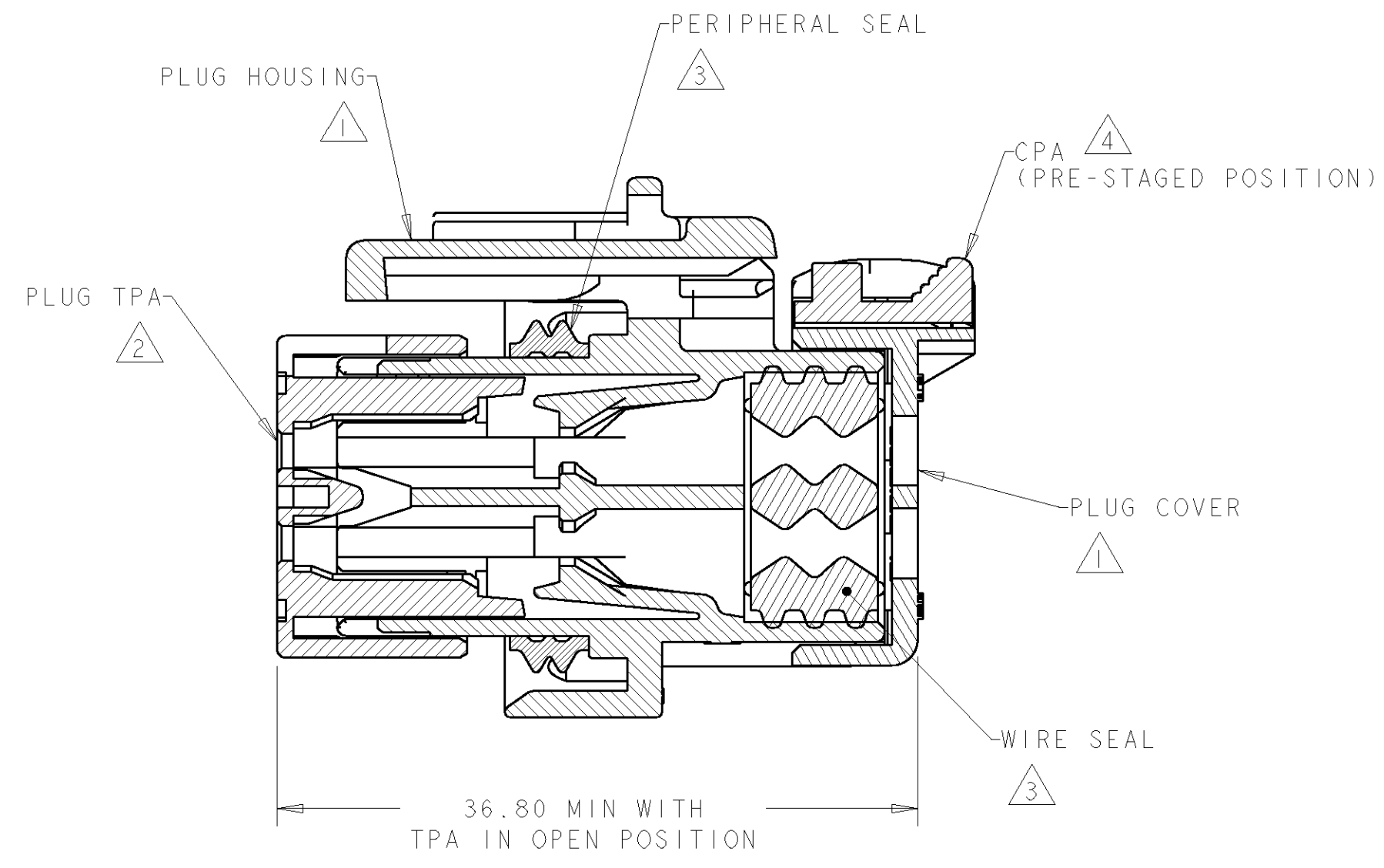


776494-2 SCALE 2:1  
 776494-3 SCALE 2:1  
 776494-4 SCALE 2:1

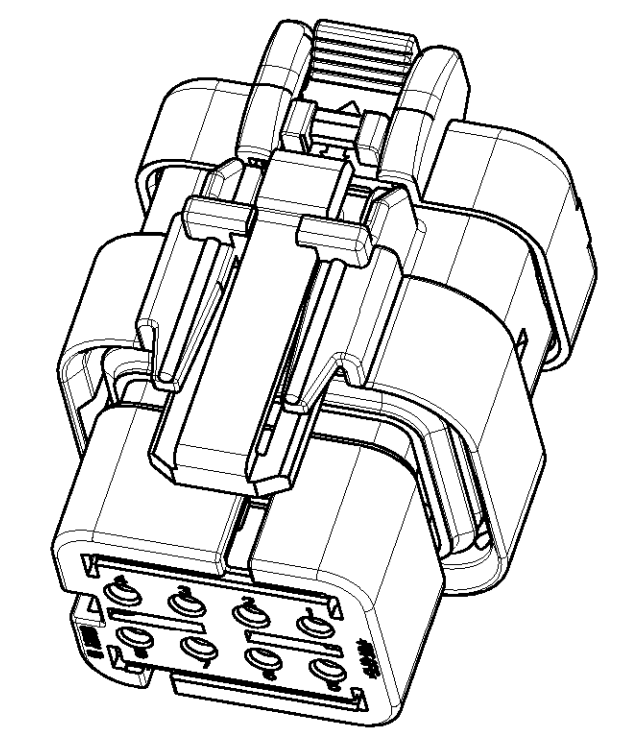
- 1 MATERIAL: 15% GLASS FILLED THERMOPLASTIC  
COLOR: BLACK
  - 2 MATERIAL: 15% GLASS FILLED THERMOPLASTIC  
COLOR: (SEE TABLE)
  - 3 MATERIAL: SILICONE  
COLOR: YELLOW
  - 4 MATERIAL: 15% GLASS FILLED THERMOPLASTIC  
COLOR: RED
5. RECOMMENDED WIRE DIAMETER RANGE IS 2.18 TO 3.67mm.



776494-1 SHOWN



SECTION A-A



SCALE 2:1

GREEN	776494-4
YELLOW	776494-3
GRAY	776494-2
RED	776494-1
TPA COLOR	PART NUMBER

DIMENSIONS: mm 		TOLERANCES UNLESS OTHERWISE SPECIFIED: 0 PLC ± 1 PLC ± 2 PLC ± 3 PLC ± 4 PLC ± ANGLES ± FINISH		DWN B. SIMPSON 05NOV2002 CHK D. KLEIN 05NOV2002 APVD D. KLEIN 05NOV2002 PRODUCT SPEC - APPLICATION SPEC 114-13065 WEIGHT - CUSTOMER DRAWING	TE Connectivity NAME PLUG ASSEMBLY, 8 POSITION, DUAL ROW, AMPSEAL 16 SIZE A2 CAGE CODE 00779 DRAWING NO. 776494 RESTRICTED TO - SCALE 3:1 SHEET OF 1 REV D1
--------------------	--	---	--	---	---