

MODULAR CONNECTORS

CL 222 TM

Six-conductor plug with straight cover

Material · Finish

Part name	Material	Finish
Plug case	Polycarbonate	Clear
Terminal	Phosphor Bronze	Gold plated
Cover	Polycarbonate	Beige

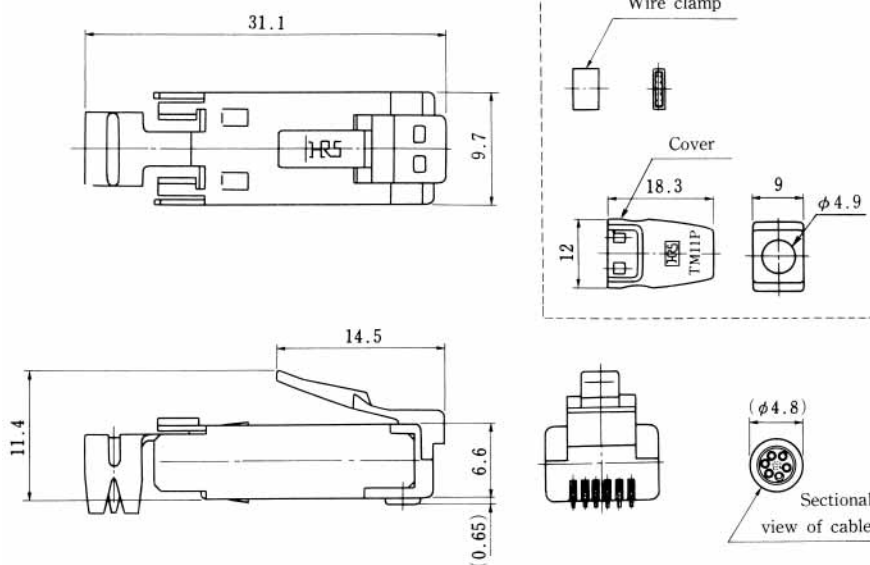
Applicable Cable	
Conductor diameter	Copper foil or AWG#26
Insulator diameter	0.9 ~ 1.0

Electrical Performance

Item	Condition	Specification
Current rating	Per pin	0.5A
Voltage rating	Per pin	125V AC
Insulation Resistance	100V DC	100 M Min.
Withstanding Voltage	1 minute	500V r.m.s AC

Apr.1.2017 Copyright 2017 HIROSE ELECTRIC CO., LTD. All Rights Reserved.

TM11P-66P(* *)



CL No.	Part No.	Cover Color	RoHS
222-2149-9-50	TM11P-66P(50)	Beige	YES
222-2149-9-53	TM11P-66P(53)	Black	

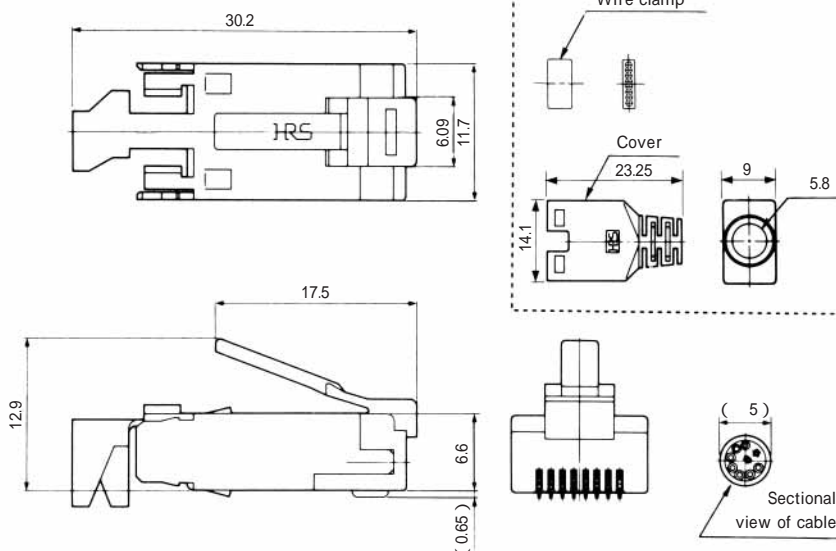
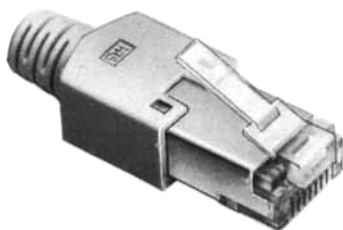
(Number of plugs in package : 100)

MODULAR CONNECTORS

CL 222 TM

Eight-conductor plug with straight cover

TM11AP-88P(**)



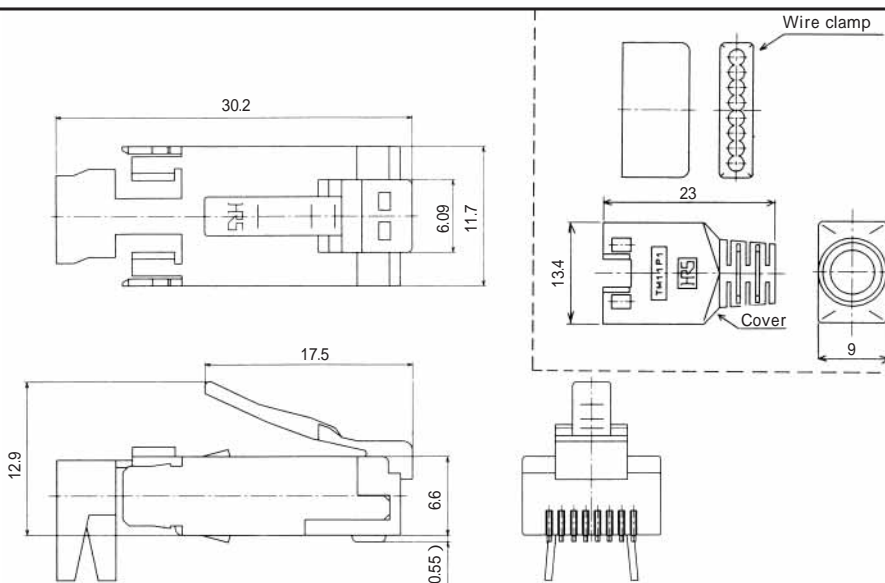
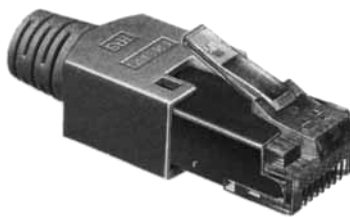
CL No.	Part No.	Cover color	RoHS
222-2780-6	TM11AP-88	Beige	YES
222-2780-6-02	TM11AP-88P(02)	Medium gray	
222-2780-6-03	TM11AP-88P(03)	Black	
222-2780-6-04	TM11AP-88P(04)	Natural light gray	

Note: This plug is NOT intended to be used for gang-jack.

(Number of plugs in package:100)

Eight-conductor thin straight plug with cover (For gang-jack)

TM11AP1-88P(* *)



CL No.	Part No.	Cover color	RoHS
222-2782-1	TM11AP1-88P	Light beige	YES
222-2782-1-02	TM11AP1-88P(02)	Medium gray	
222-2782-1-03	TM11AP1-88P(03)	Black	
222-2782-1-04	TM11AP1-88P(04)	Natural light gray	
222-2782-1-05	TM11AP1-88P(05)	Red	
222-2782-1-06	TM11AP1-88P(06)	Green	
222-2782-1-07	TM11AP1-88P(07)	Blue	
222-2782-1-08	TM11AP1-88P(08)	Yellow	
222-2782-1-09	TM11AP1-88P(09)	Orange	

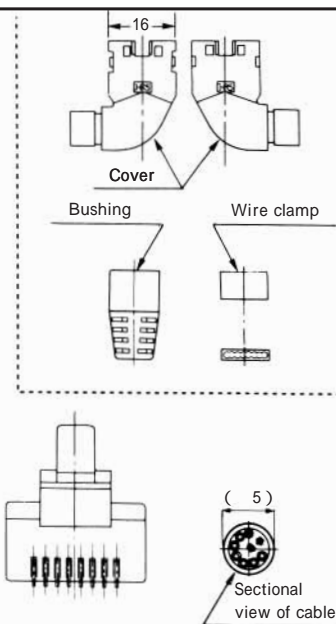
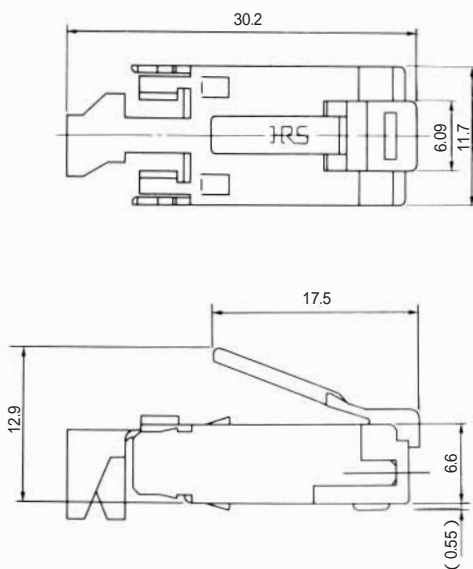
(Number of plugs in package:100)

MODULAR CONNECTORS

CL 222 TM

L-shaped 8-conductor plug with cover

TM11APA-88P(**)



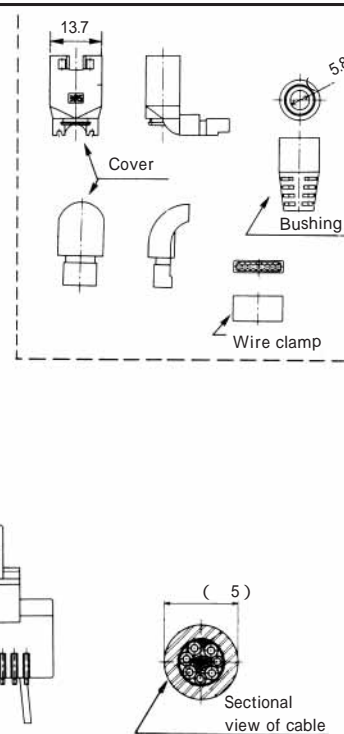
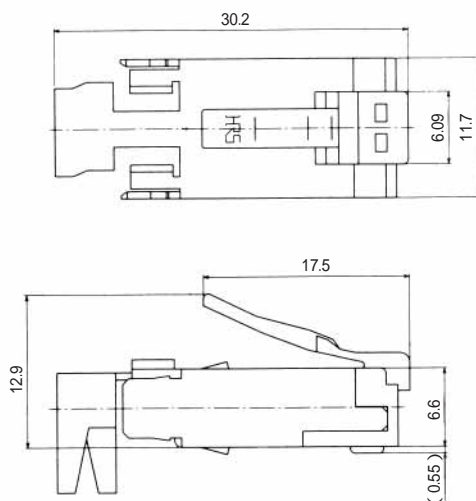
CL No.	Part No.	Cover Color	RoHS
222-2781-9	TM11APA-88P	Light beige	YES
222-2781-9-03	TM11APA-88P(03)	Black	

(Number of plugs in package:100)

T-shaped 8-conductor plug with cover

TM11APA1-88P(**)

CL No.	Part No.	RoHS
222-2783-4	TM11APA1-88P	YES



Note:Cover standard color is light beige

(Number of plugs in package:100)

MODULAR CONNECTORS

CL 222 TM

PLUG WIRING TOOL

Jig Plug	Cable Cramp Jig		Terminal Crimping Jig	
	CL No.	Product No.	CL No.	Product No.
TM11P ^r J-66P		TM11P66P cable crimping	901-0938-4	Applicator 105TM11P-66P
	902-0132-8	Hand press HOS-7	901-0005-4	Model 105 crimping tool
TM11P ^r J-88P	902-0077-1	TM11P88P cable crimping jig	901-0221-0	Applicator 105TM11P-88P
	902-0132-8	Hand press HOS-7	901-0005-4	Model 105 crimping tool

PLUG ASSEMBLY DRAWING

