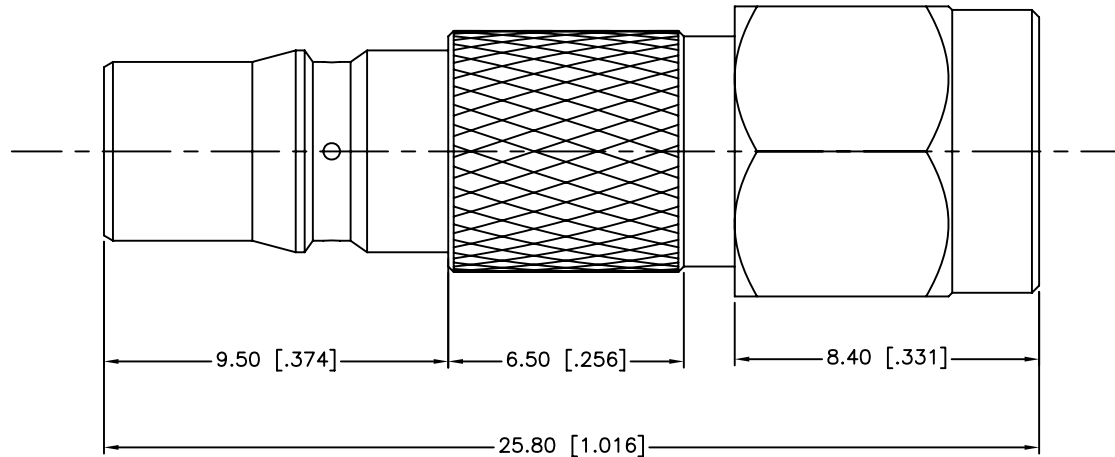
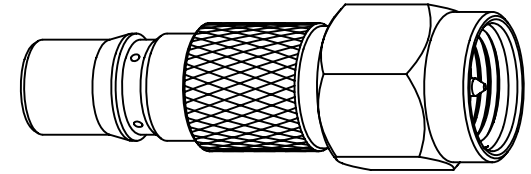


| REV. | DATE | ECR NO. | DESCRIPTION |
|------|----------|---------|-----------------|
| NC | 01/06/12 | XXXXXX | INITIAL RELEASE |



1. IMPEDANCE: 50 OHM
2. FREQUENCY RANGE: DC 0–18 GHz
3. VSWR(RETURN LOSS): 1.3 MAX @ DC TO 18 GHz;
4. DIELECTRIC WITHSTANDING VOLTAGE: 1000 VRMS, MIN.
5. DURABILITY: 100 CYCLES MIN.
6. TEMPERATURE RANGE: -65°C TO +165°C

| 3 | CONTACT PIN | BRASS | GOLD | 1 |
|-------------|-------------|--------|---------|---|
| 2 | INSULATOR | PTFE | NATURAL | 1 |
| 1 | BODY | BRASS | NEXCOTE | 1 |
| DESCRIPTION | MATERIAL | FINISH | QTY | |

| <small>UNLESS OTHERWISE SPECIFIED DIMENSIONS ARE IN MILLIMETERS. DIMENSIONS IN [] ARE IN INCHES AND FOR CUSTOMER REFERENCE ONLY.</small> <small>UNLESS OTHERWISE SPECIFIED TOLERANCES FOR MILLIMETERS ARE:</small> 0.5 – 8mm ± 0.20mm 8 – 30mm ± 0.40mm 30 – 120mm ± 0.50mm <small>UNLESS OTHERWISE SPECIFIED TOLERANCES FOR INCHES ARE:</small> .020 – .315 = ± 0.007" .315 – 1.180 = ± 0.015" 1.180 – 4.724 = ± 0.020" DO NOT SCALE DRAWING | APPROVALS | DATE |
|---|--------------|----------|
| | DRAWN I.XU | 05/02/12 |
| | CHECKED | |
| | ISSUED | |
| | SHEET 1 OF 1 | |
| CAD FILE C:/CONNEX/242263.DWG | | |

| | | | |
|---|------------|-------|----|
| <h1>Amphenol Connex</h1> | | | |
| PART DESCRIPTION QMA JACK TO SMA PLUG ADAPTOR | | | |
| PART NO. 242263 | | | |
| DWG. NO. | 242263.DWG | REV. | NC |
| SIZE | A | SCALE | NA |