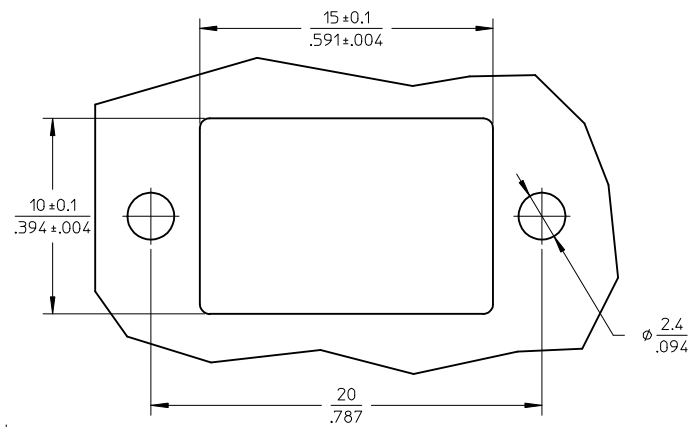
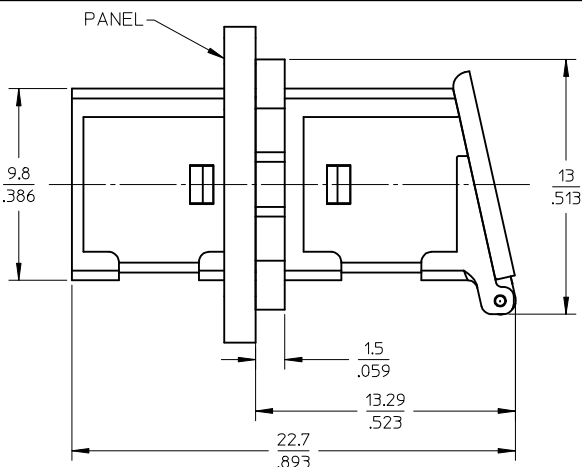
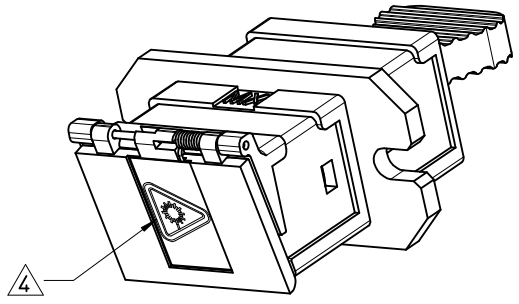
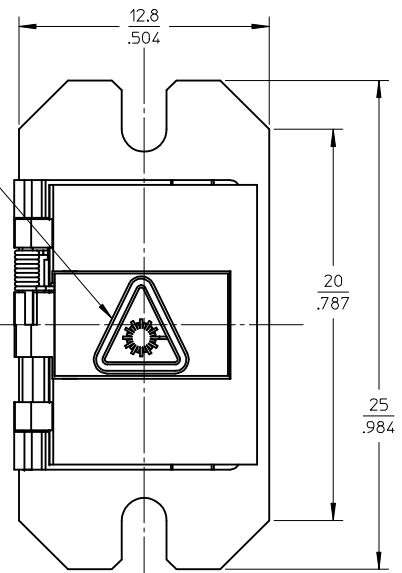
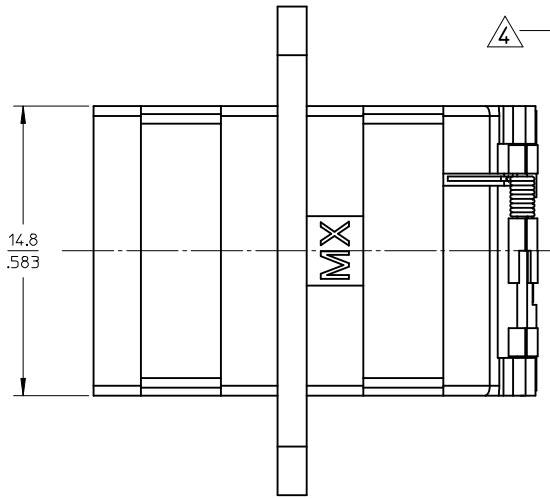
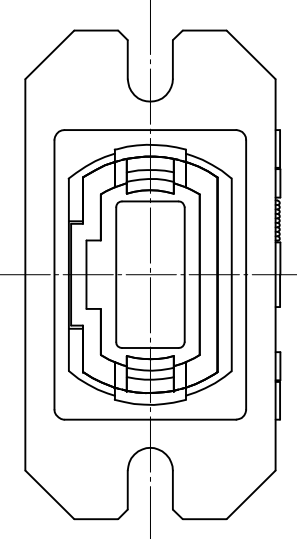


10	9	PART #	LASER WARNING LABEL
106114-1110		INSTALLED ON ADAPTER	
106114-1120		INCLUDED WITH PACKAGING	



RECOMENDED MOUNTING PATTERN



SCALE 2:1

- NOTES:
1. DUST CAP SHOWN ONLY IN ISOMETRIC VIEW.
 2. ADAPTERS TO BE PACKED IN TRAY.
 3. OUTER SHELL OF PART IS DIECAST.
 4. LASER WARNING LABEL IS INSTALLED ON ADAPTER P/N 106114-1110. LASER WARNING LABEL IS SUPPLIED WITH ADAPTER P/N 106114-1120, TO BE INSTALLED BY CUSTOMER.

ENTER DESCRIPTION EC NO: MF2015-0096 DRAWN: YBEDNYAK 2014/08/20 CHKD: APPR: IGUMIN 2014/08/22 REV	QUALITY SYMBOLS = 0 = 0	GENERAL TOLERANCES (UNLESS SPECIFIED) <table border="1"> <tr> <th></th> <th>mm</th> <th>INCH</th> </tr> <tr> <td>4 PLACES</td> <td>± ---</td> <td>± ---</td> </tr> <tr> <td>3 PLACES</td> <td>± ---</td> <td>± ---</td> </tr> <tr> <td>2 PLACES</td> <td>± 0.10</td> <td>± ---</td> </tr> <tr> <td>1 PLACE</td> <td>± 0.10</td> <td>± ---</td> </tr> </table> ANGULAR ±1/2°		mm	INCH	4 PLACES	± ---	± ---	3 PLACES	± ---	± ---	2 PLACES	± 0.10	± ---	1 PLACE	± 0.10	± ---	DIMENSION STYLE MM/IN DRAWN BY JSZEWczyk DATE 2009/06/09 CHECKED BY DATE APPROVED BY IGUMIN DATE 2010/02/09 MATERIAL NO.	SCALE 4:1 DESIGN UNITS METRIC THIRD ANGLE PROJECTION
		mm	INCH																
	4 PLACES	± ---	± ---																
	3 PLACES	± ---	± ---																
2 PLACES	± 0.10	± ---																	
1 PLACE	± 0.10	± ---																	
DRAFT WHERE APPLICABLE MUST REMAIN WITHIN DIMENSIONS		TITLE MPO EMI ADAPTER, FLANGE, NO EMI GASKET	MOLEX INCORPORATED	SHEET NO. 1 OF 1															
		1061141110	DOCUMENT NO. SD-106114-1110																
		THIS DRAWING CONTAINS INFORMATION THAT IS PROPRIETARY TO MOLEX INCORPORATED AND SHOULD NOT BE USED WITHOUT WRITTEN PERMISSION																	