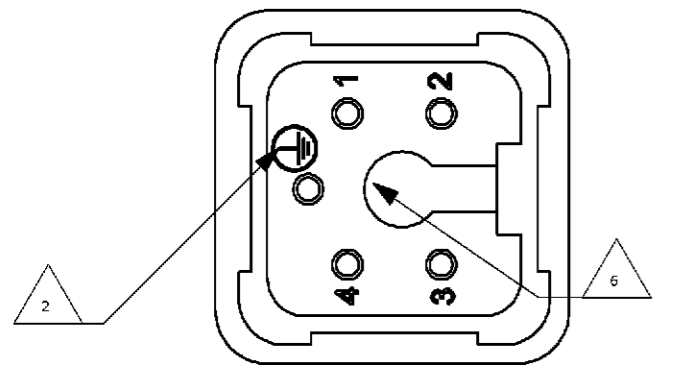


LOC	DIST	REVISIONS ÄNDERUNGEN					
AI	-	P	LTR	DATE	DWN	APVD	
PROJECT NR.	C1	PRINTING CORRECTED ECR-06-021058			31.08.2006	SR	SM

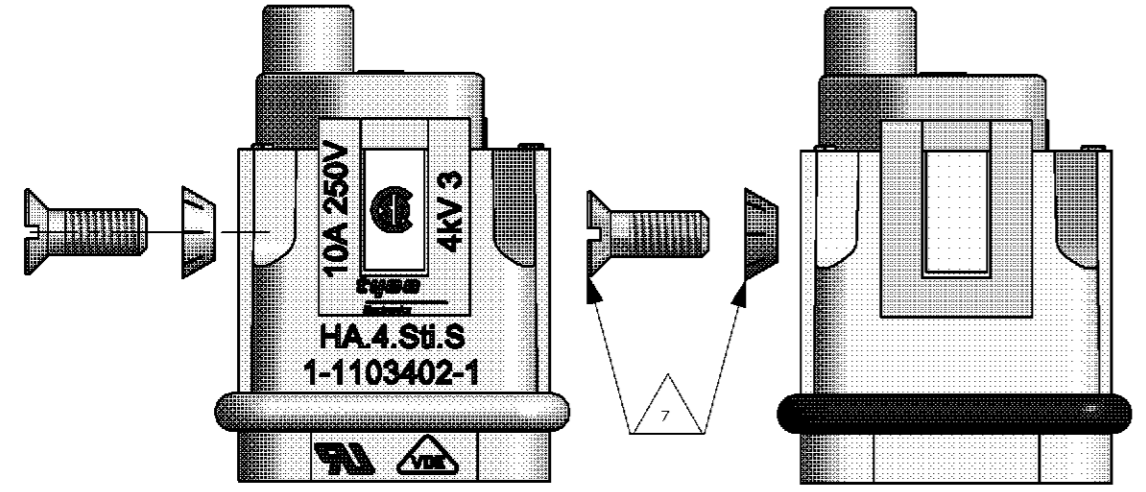
NOTES

- 1 CONTACT: 1 TO 4
SUITABLE SCREW CONTACTS: SERIES HA.3
OUTER DIMENSIONS OF INSULATION: MAX. Ø3,4 MM
- 2 GROUNDING CONTACT:
SUITABLE SCREW CONTACTS: SERIES HA.4
OUTER DIMENSIONS OF INSULATION: MAX. Ø3,4 MM
- 3 SUITABLE HOOD SIZE 1: SERIES HA; HD; EMV AND HIP
- 4 SUITABLE INSERTION AND EXTRACTION TOOL:
SCREWDRIVER 2,0x65
- 5 STANDARDS:
DIN EN 61984; DIN EN 60664-1
- 6 POLARIZATION RIPS
- 7 POS. 8 AND POS.9 PACKED SEPARATE IN POLY BAG
- 8 AUTHORIZATION: UL; CSA; VDE; SEV
- 9 PACKAGING:
10 SETS IN A CARTON, PRE-MOUNTED

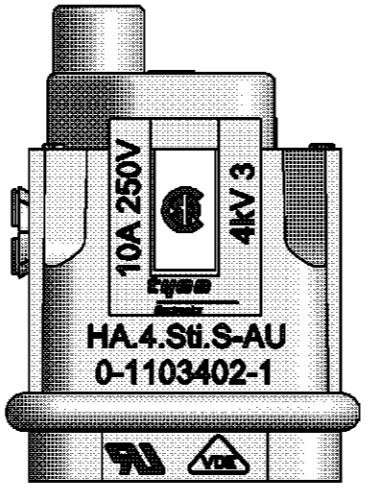
CONTACT ARRANGEMENT
VIEW FROM CONECTING SIDE



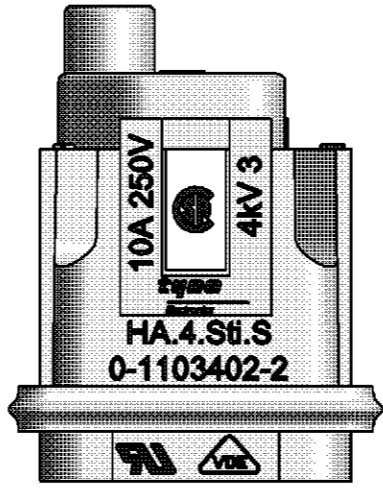
LATERAL PRINT
PN 1-1



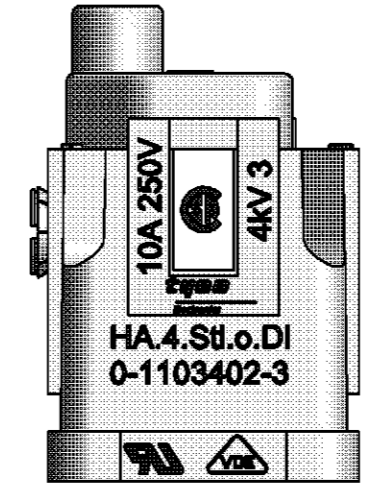
LATERAL PRINT
PN 0-1



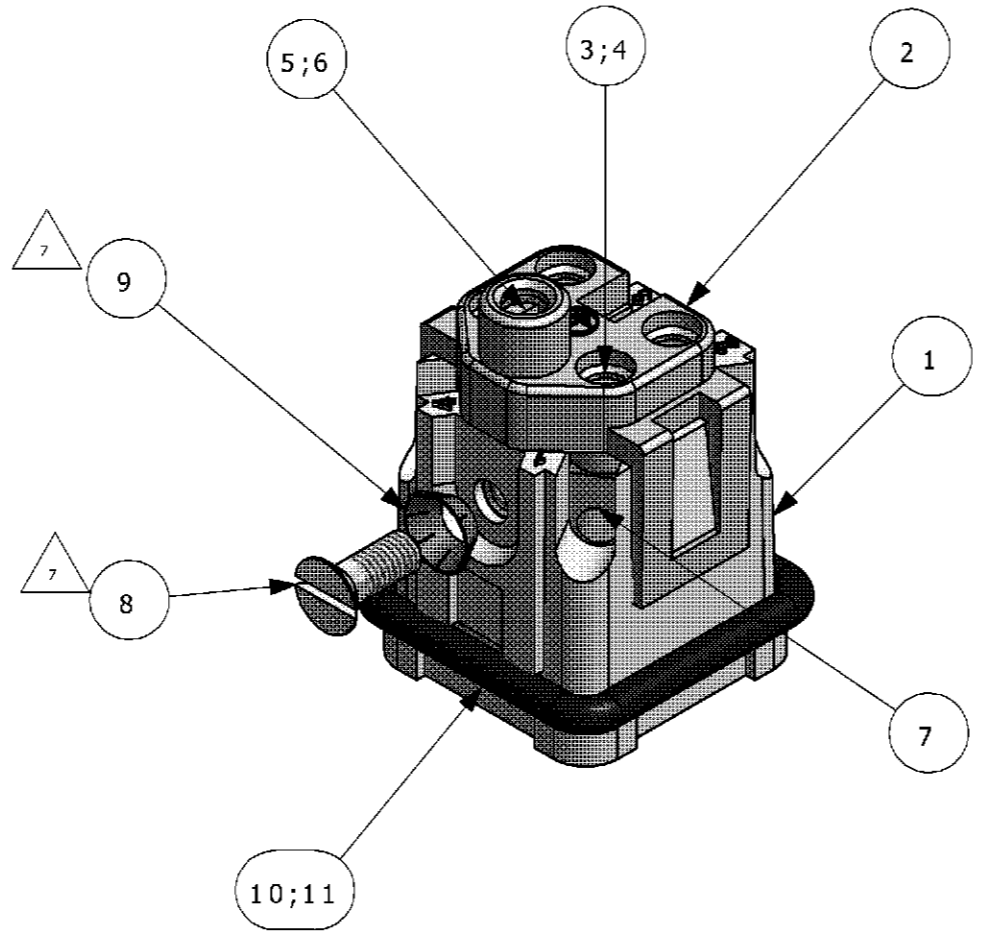
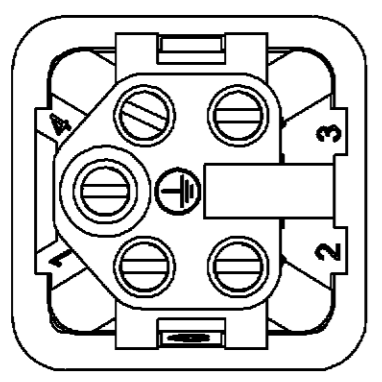
LATERAL PRINT
PN 0-2



LATERAL PRINT
PN 0-3



CONTACT ARRANGEMENT
VIEW FROM TERMINATION SIDE



QTY	DESCRIPTION	MATERIAL	SURFACE	COLOR	ITEM	NOTES			
1	PROFILE SEAL	NEOPRENE		BLACK	11	CONDUCTIV			
1	PROFILE SEAL	NEOPRENE		BLACK	10				
1	SPRING WASHER	STEEL	ZINK PLATED		9	V3.2			
1	SLOTTED COUNTER FLAT HEAD SCREW	STEEL	ZINK PLATED		8	M3x8			
5	SLOTTED CHEESE HEAD SCREW	BRASS	NICKEL PLATED		7	M3x5.5			
1	EARTING CONTACT PIN WITH ANGLE	BRASS	GOLD PLATED		6				
1	EARTING CONTACT SOCKET WITH ANGLE	BRASS	SILVER PLATED		5				
4	CONTACT SOCKET	BRASS	GOLD PLATED		4				
4	CONTACT SOCKET	BRASS	SILVER PLATED		3				
1	COVER	PC		BEIGE	2				
1	MALE INSERT	PC		BEIGE	1				
0-3	0-2	0-1	1-1	DESCRIPTION	MATERIAL	SURFACE	COLOR	ITEM	NOTES

HA.4.Sti.S
HA.4.Sti.S-AU
HA.4.Sti.S
HA.4.Sti.S.o.Di

THIS DRAWING IS A CONTROLLED DOCUMENT FOR AMP INCORPORATED. IT IS SUBJECT TO CHANGE AND THE CONTROLLING ENGINEERING ORGANIZATION SHOULD BE CONTACTED FOR THE LATEST REVISION. DIESSES ZEICHNUNGS-DOKUMENT WIRD DURCH AMP INCORPORATED KONTROLLIERT. ÄNDERUNGEN, DIE DEM TECHNISCHEN FORTSCHRITT ÜBEREINSTIMMEN, SIND VORZUZIEHEN. DEN VERBUND MITZUTEILGEBEN, AN DERBEI BEIHEITUNG BEFÄHIGT SEIN MÜSSEN.

DWN H.BRAUN 29.07.1997
CHK SCHWEIGER 29.07.1997
APVD T.SCHNURPFEL 27.03.2006

NAME: MALE INSERT
HA.4.STI.S

PRODUCT SPEC. 108-74008
APPLICATION SPEC. 114-74010

WEIGHT 0,0012 KG
SCALE 1:1
SHEET 1 OF 1
REV. C1

CUSTOMER DRAWING / KUNDENZEICHNUNG