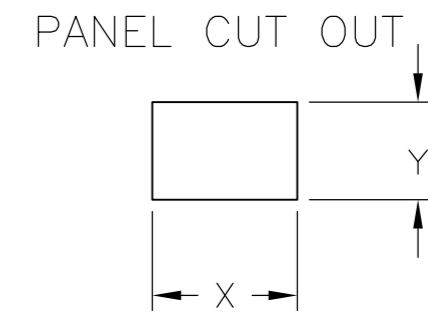
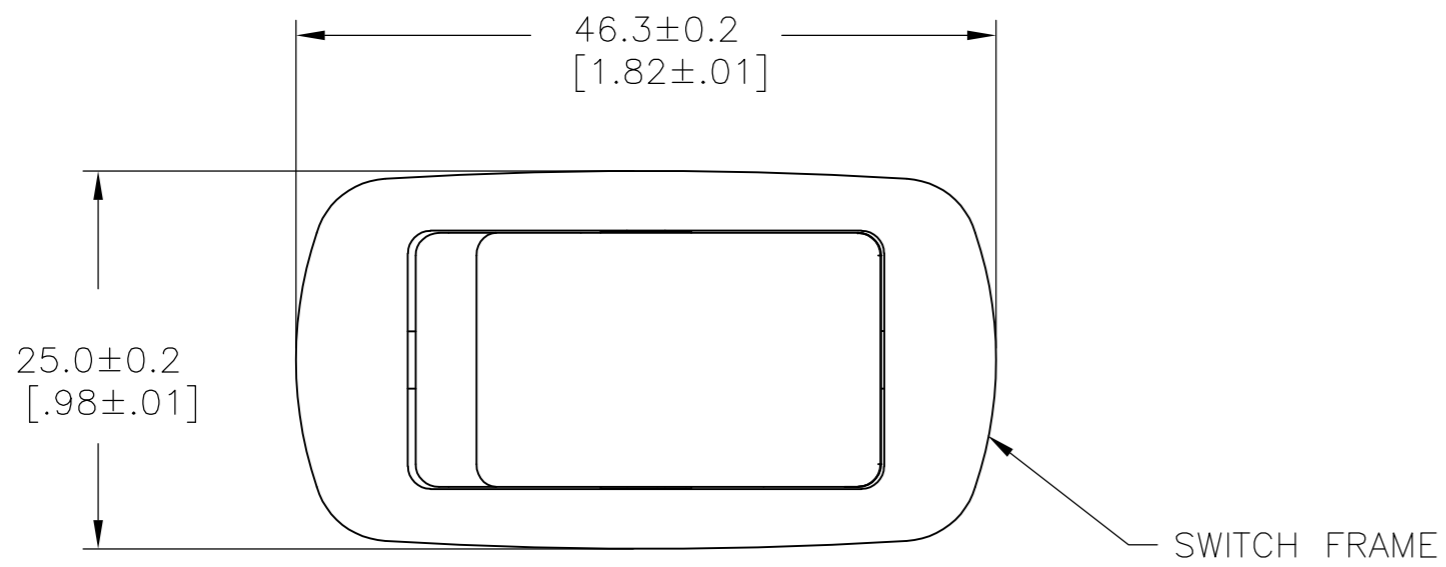
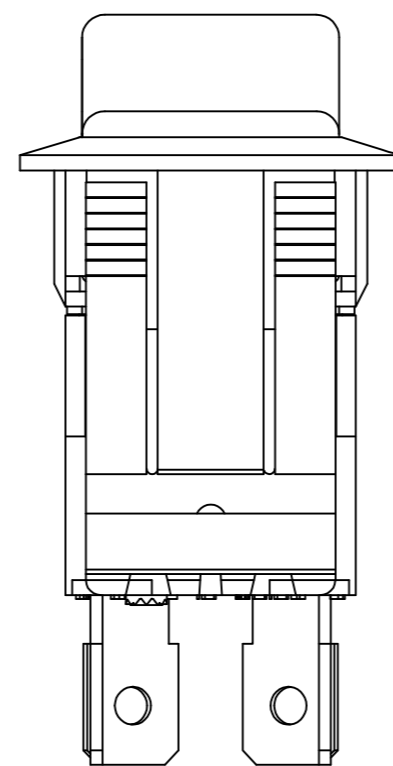
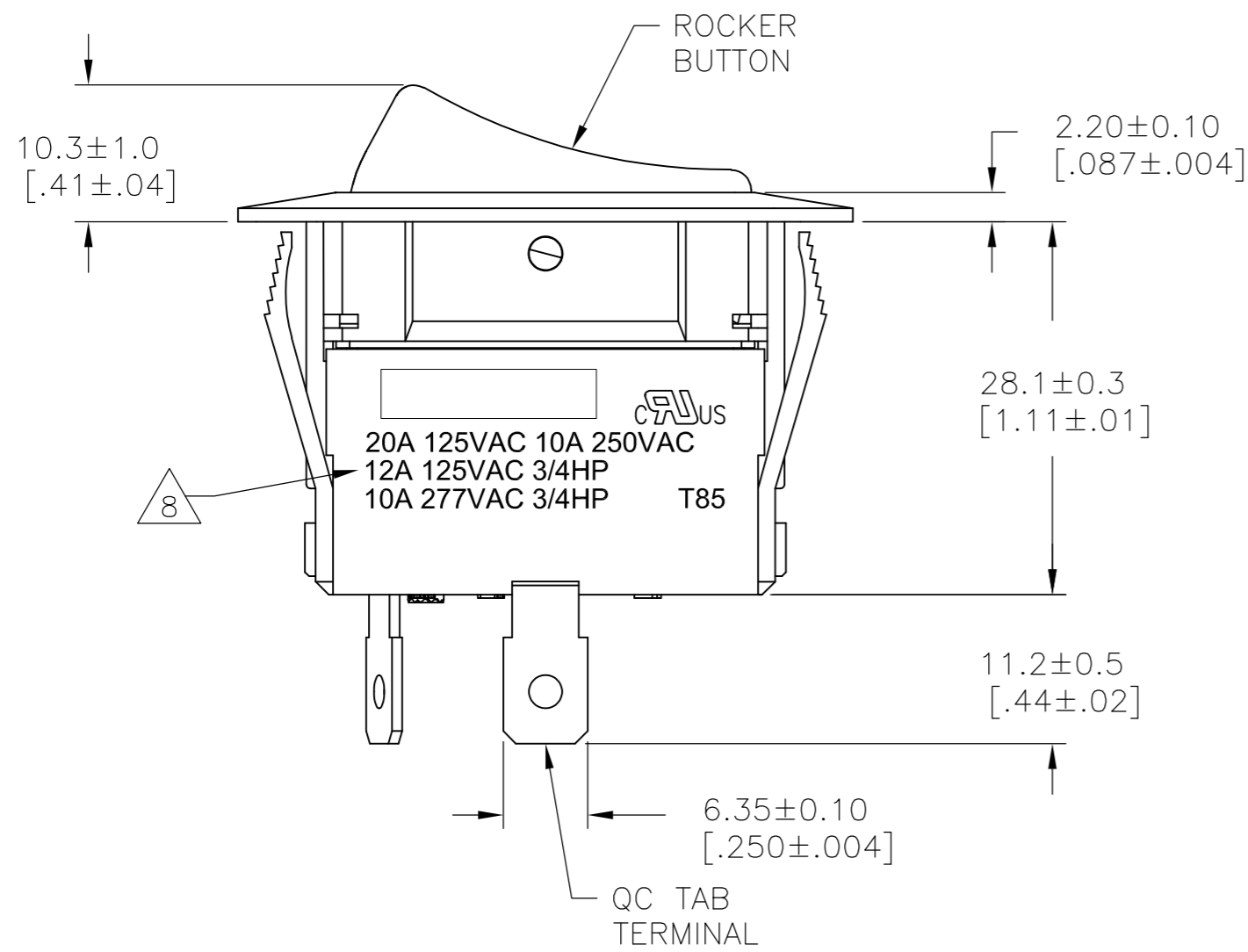


THIS DRAWING IS UNPUBLISHED. RELEASED FOR PUBLICATION
 © COPYRIGHT - By - ALL RIGHTS RESERVED.

LOC		DIST		REVISIONS			
P	LTR	DESCRIPTION		DATE	DWN	APVD	
		C3		REVISED PER ECO-11-004820	11MAR11	RK	HMR

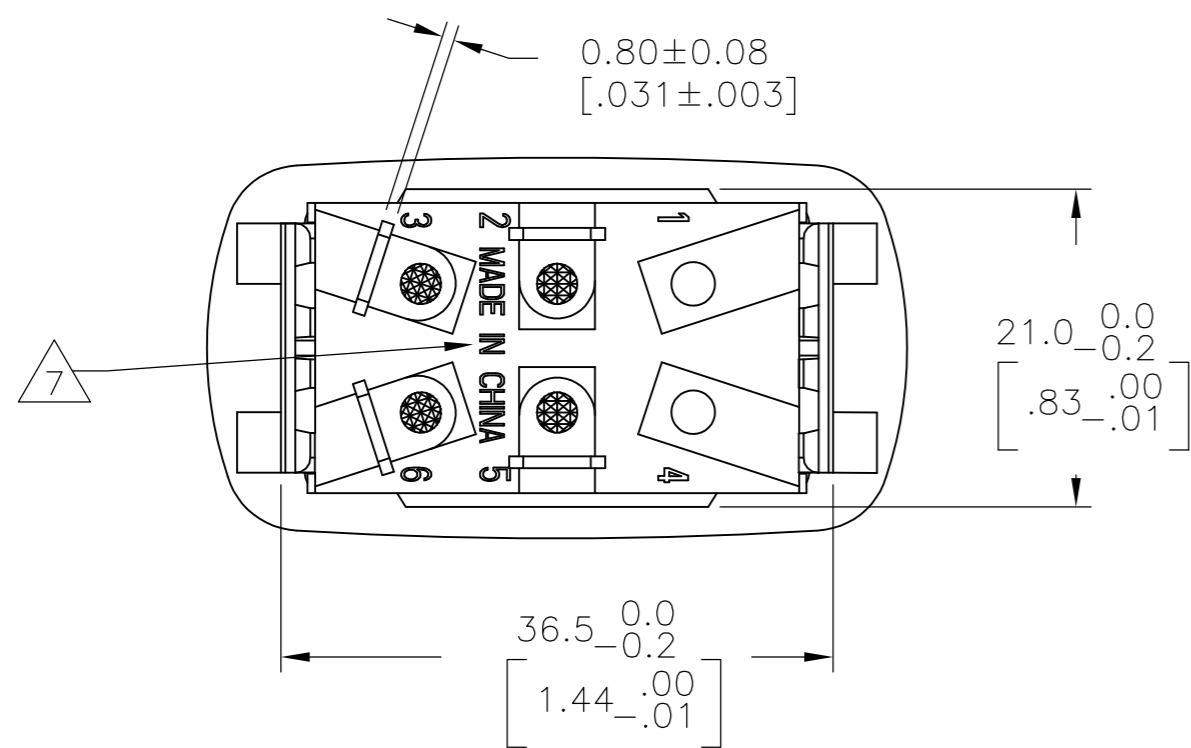
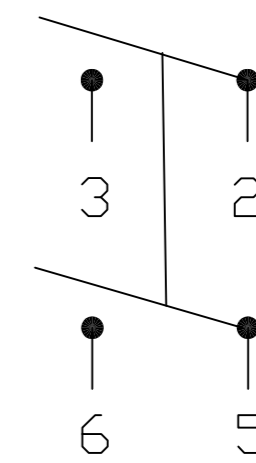


2.00-3.00 [.079-.118]	21.2+0.1 [.835+.004]	37.0+0.2 [1.457+.008]
1.25-2.00 [.049-.079]	21.2+0.1 [.835+.004]	36.8+0.2 [1.449+.008]
.075-1.25 [.030-.049]	21.2+0.1 [.835+.004]	36.6+0.2 [1.441+.008]
PANEL THICKNESS	Y	X



1571102-1
 SHOWN

SWITCH FUNCTION A1
 CIRCUIT DIAGRAM

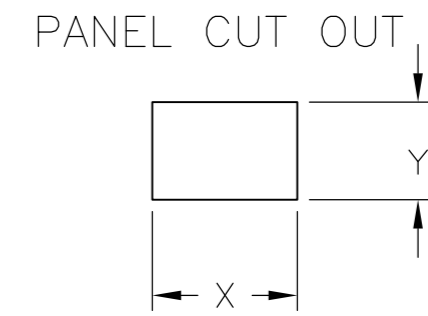
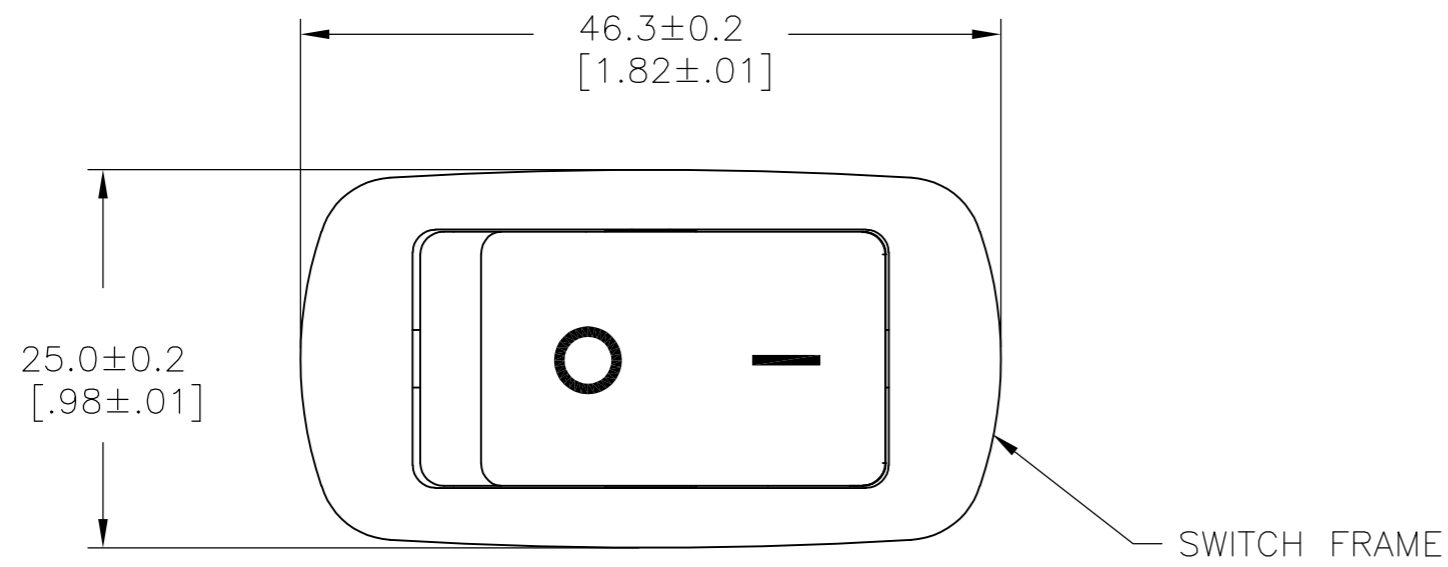


DIMENSIONS:		TOLERANCES UNLESS OTHERWISE SPECIFIED:		MATERIAL		FINISH	
mm	[INCHES]	0 PLC	± -	1	± -	2	± -
		1 PLC	± -				
		2 PLC	± -				
		3 PLC	± -				
		4 PLC	± -				
		ANGLES	± -				

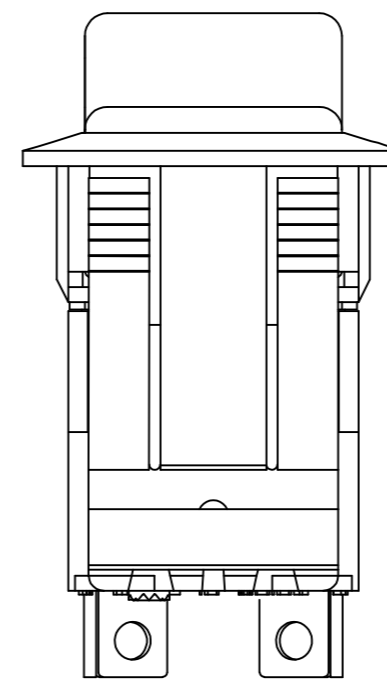
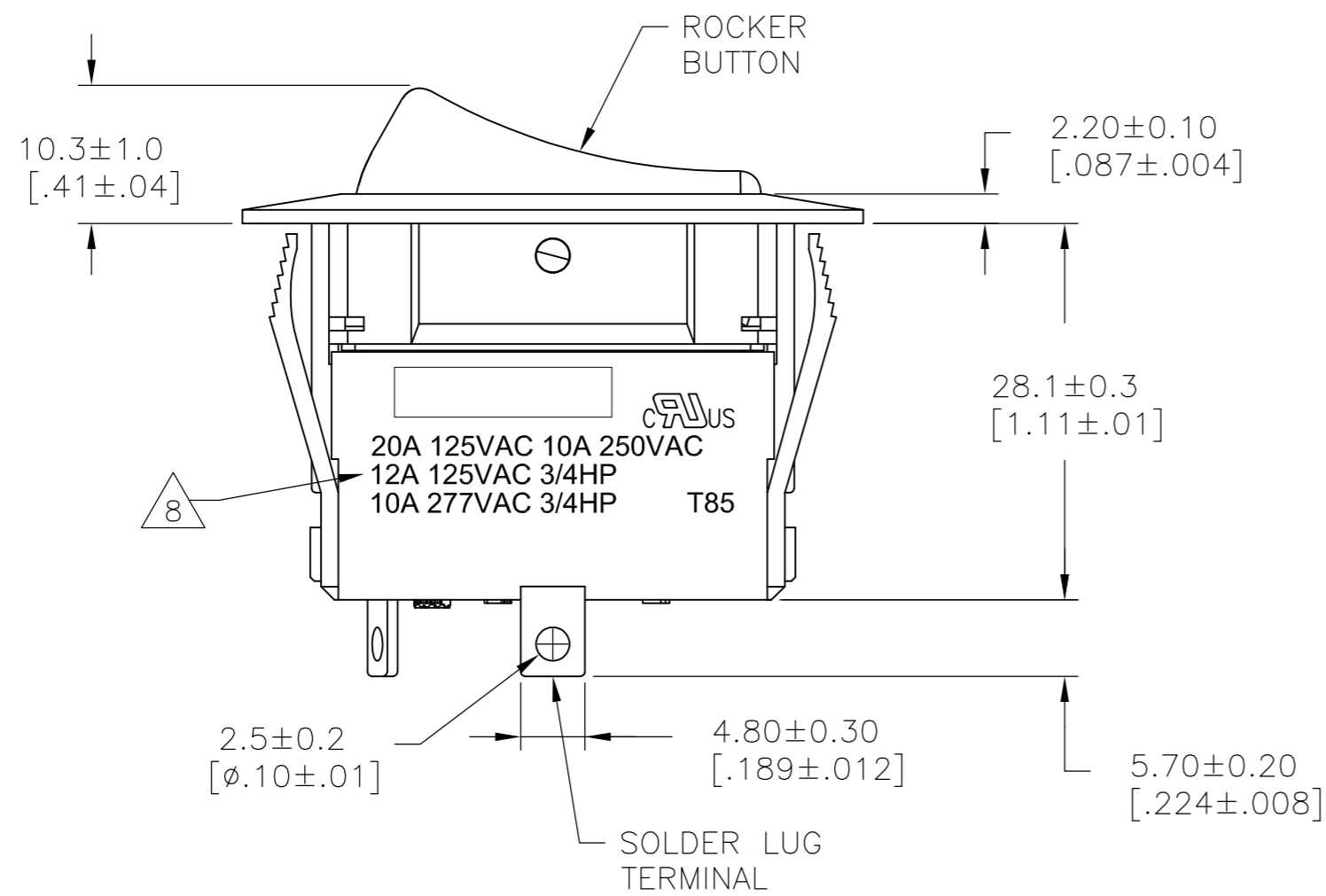
THIS DRAWING IS A CONTROLLED DOCUMENT.		DWN	M.BINNER	25FEB2002		TE Connectivity		
		CHK	D.ROHDE	16NOV05		NAME		
		APVD	D.ROHDE	16NOV05		POWER ROCKER SWITCH, 21.2mm X 36.6mm MIN		
		PRODUCT SPEC				PANEL CUT-OUT SIZE		
		APPLICATION SPEC			DOUBLE POLE, SINGLE THROW, NON-ILLUMINATED			
		WEIGHT	-		SIZE	CAGE CODE	DRAWING NO	RESTRICTED TO
					A2	00779	C=1571102	-
		CUSTOMER DRAWING			SCALE	SHEET	REV	
					2:1	1 of 4	C3	

THIS DRAWING IS UNPUBLISHED. RELEASED FOR PUBLICATION
 © COPYRIGHT - By - ALL RIGHTS RESERVED.

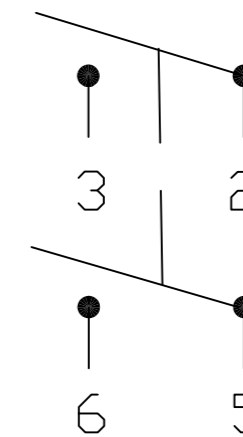
LOC	DIST	REVISIONS					
AD	00	P	LTR	DESCRIPTION	DATE	DWN	APVD
		-		SEE SHEET 1		-	-



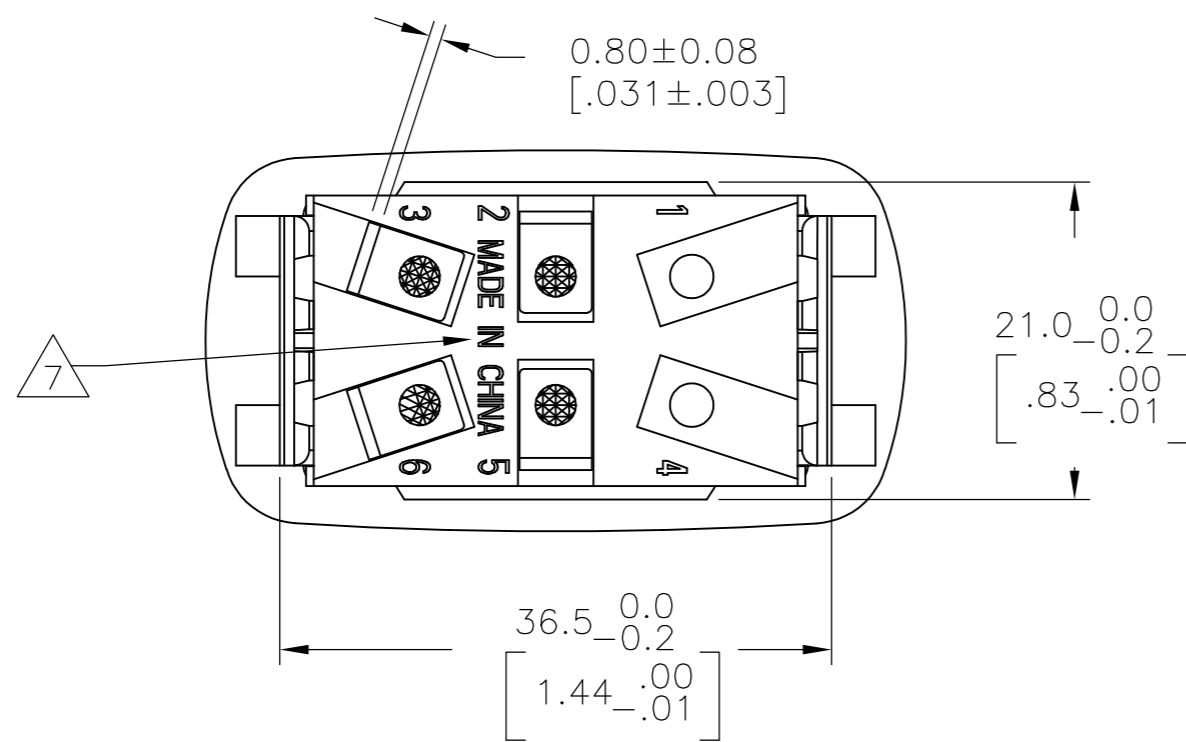
2.00-3.00 [.079-.118]	21.2+0.1 [.835+.004]	37.0+0.2 [1.457+.008]
1.25-2.00 [.049-.079]	21.2+0.1 [.835+.004]	36.8+0.2 [1.449+.008]
.075-1.25 [.030-.049]	21.2+0.1 [.835+.004]	36.6+0.2 [1.441+.008]
PANEL THICKNESS	Y	X



SWITCH FUNCTION A1
CIRCUIT DIAGRAM



1571102-5
SHOWN

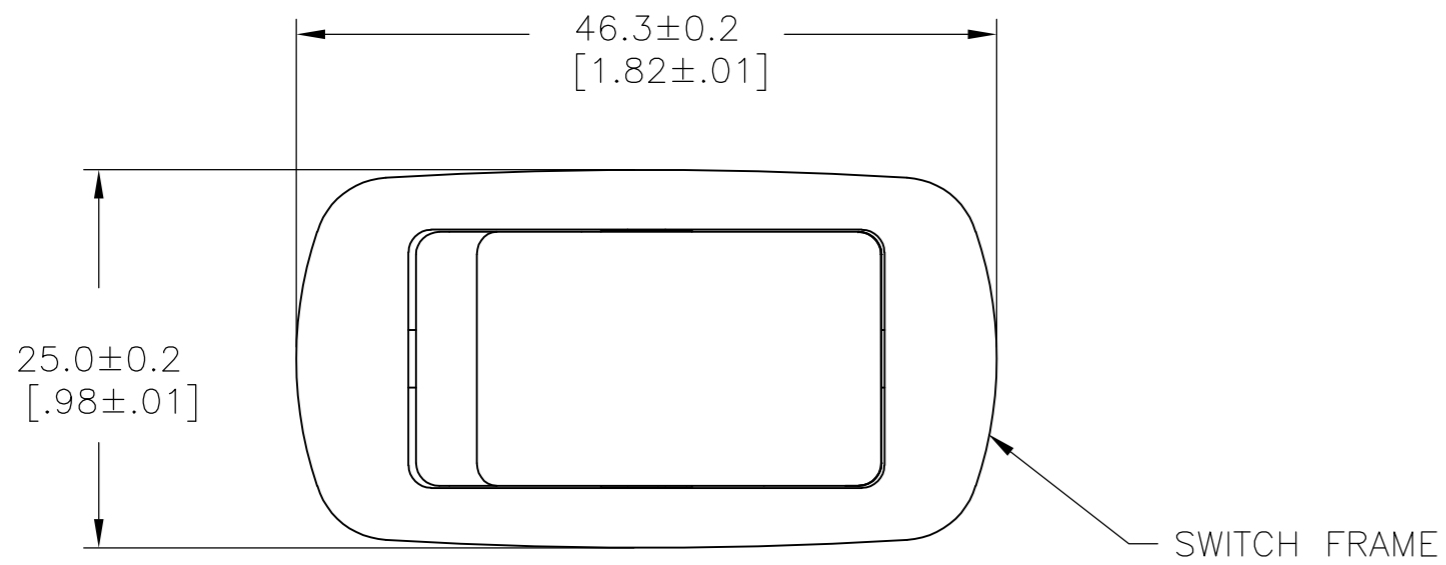


DIMENSIONS:		TOLERANCES UNLESS OTHERWISE SPECIFIED:		MATERIAL		FINISH	
mm	[INCHES]	0 PLC	± -	1	2	WEIGHT	SCALE
		1 PLC	± -				2:1
		2 PLC	± -				SHEET
		3 PLC	± -				2 OF 4
		4 PLC	± -				REV
		ANGLES	± -				C3
		FINISH					

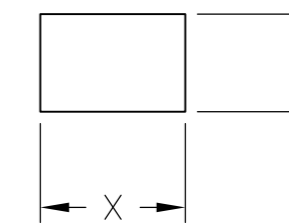
THIS DRAWING IS A CONTROLLED DOCUMENT.		DWN	25FEB2002	TE TE Connectivity
		CHK	16NOV05	
		APVD	16NOV05	NAME POWER ROCKER SWITCH, 21.2mm X 36.6mm MIN PANEL CUT-OUT SIZE DOUBLE POLE, SINGLE THROW, NON-ILLUMINATED
		PRODUCT SPEC		
		APPLICATION SPEC		SIZE
		WEIGHT	-	CAGE CODE
		CUSTOMER DRAWING		DRAWING NO
				RESTRICTED TO
				A2 00779 C=1571102

THIS DRAWING IS UNPUBLISHED. RELEASED FOR PUBLICATION
 © COPYRIGHT - By - ALL RIGHTS RESERVED.

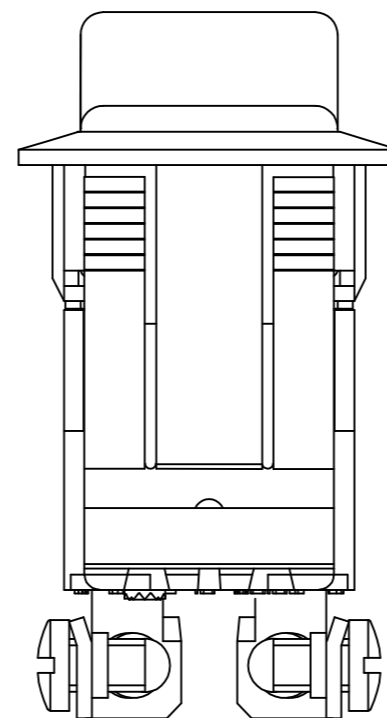
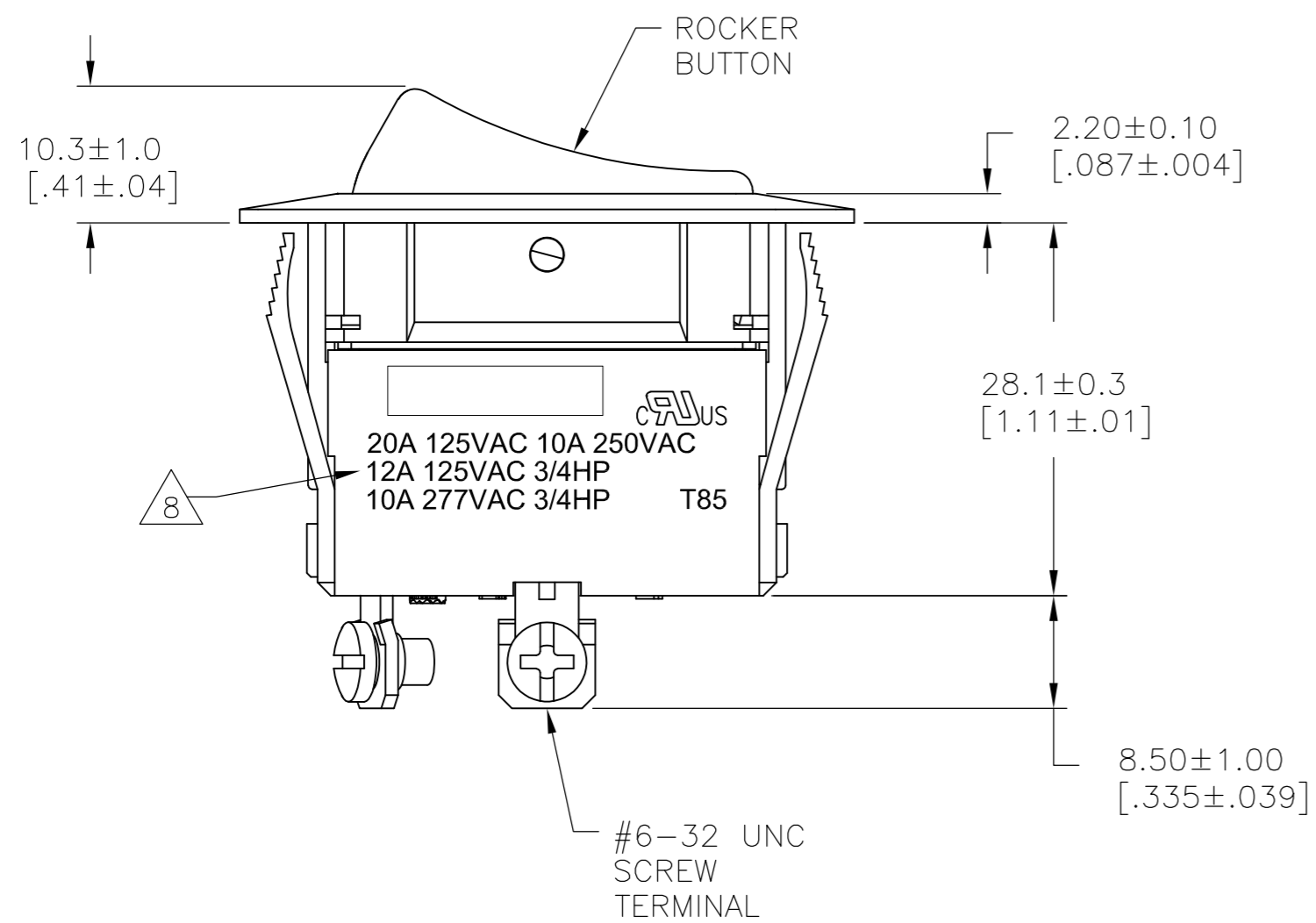
LOC	DIST	REVISIONS			
P	LTR	DESCRIPTION	DATE	DWN	APVD
AD	00	SEE SHEET 1	-	-	-



PANEL CUT OUT

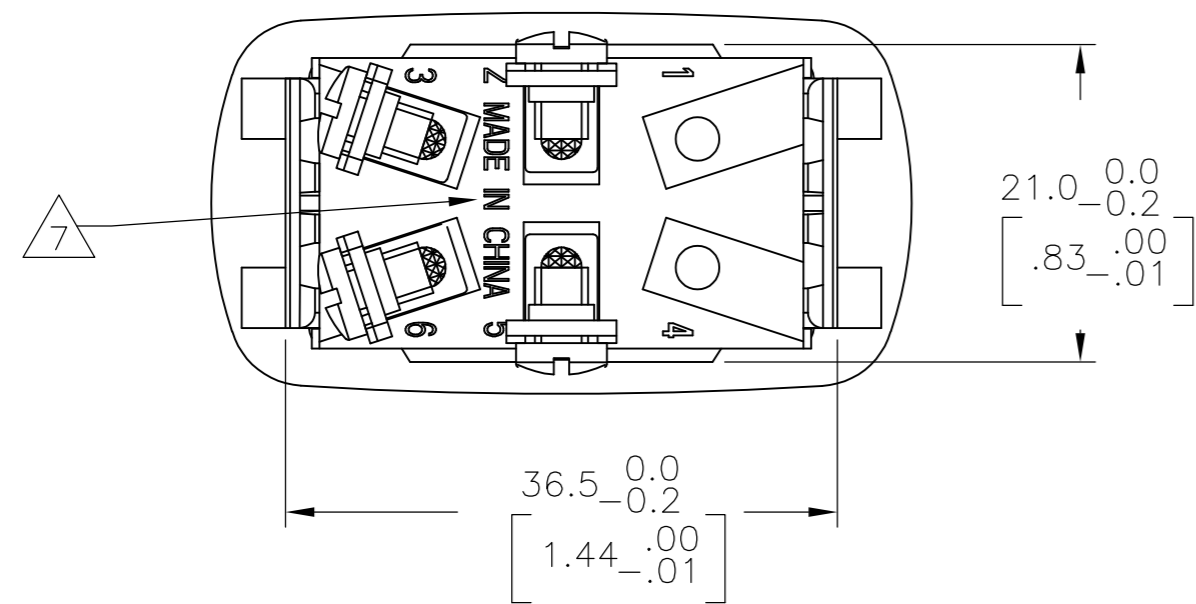
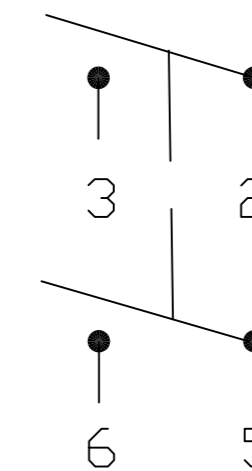


2.00-3.00 [.079-.118]	21.2+0.1 [.835+.004]	37.0+0.2 [1.457+.008]
1.25-2.00 [.049-.079]	21.2+0.1 [.835+.004]	36.8+0.2 [1.449+.008]
.075-1.25 [.030-.049]	21.2+0.1 [.835+.004]	36.6+0.2 [1.441+.008]
PANEL THICKNESS	Y	X



1571102-9
SHOWN

SWITCH FUNCTION A1
CIRCUIT DIAGRAM



DIMENSIONS:		TOLERANCES UNLESS OTHERWISE SPECIFIED:		MATERIAL		FINISH		WEIGHT		SCALE		SHEET		REV	
mm	[INCHES]	0 PLC	± -	1	± -	1	± -	2	± -	2:1	3	4	C3		
MATERIAL		FINISH		WEIGHT		SCALE		SHEET		REV		CAGE CODE		DRAWING NO	
1		2		-		2:1		3		4		A2 00779		C=1571102	
THIS DRAWING IS A CONTROLLED DOCUMENT.		DWN M.BINNER 25FEB2002		CHK D.ROHDE 16NOV05		APVD D.ROHDE 16NOV05		NAME		TE Connectivity		POWER ROCKER SWITCH, 21.2mm X 36.6mm MIN		PANEL CUT-OUT SIZE	
mm [INCHES]		TOLERANCES UNLESS OTHERWISE SPECIFIED:		MATERIAL		FINISH		WEIGHT		SCALE		SHEET		REV	
0 PLC ± -		1 PLC ± -		1		2		-		2:1		3		4	
2 PLC ± -		3 PLC ± -		1		2		-		2:1		3		4	
4 PLC ± -		ANGLES ± -		1		2		-		2:1		3		4	
MATERIAL		FINISH		WEIGHT		SCALE		SHEET		REV		CAGE CODE		DRAWING NO	
1		2		-		2:1		3		4		A2 00779		C=1571102	
THIS DRAWING IS A CONTROLLED DOCUMENT.		DWN M.BINNER 25FEB2002		CHK D.ROHDE 16NOV05		APVD D.ROHDE 16NOV05		NAME		TE Connectivity		POWER ROCKER SWITCH, 21.2mm X 36.6mm MIN		PANEL CUT-OUT SIZE	
mm [INCHES]		TOLERANCES UNLESS OTHERWISE SPECIFIED:		MATERIAL		FINISH		WEIGHT		SCALE		SHEET		REV	
0 PLC ± -		1 PLC ± -		1		2		-		2:1		3		4	
2 PLC ± -		3 PLC ± -		1		2		-		2:1		3		4	
4 PLC ± -		ANGLES ± -		1		2		-		2:1		3		4	
MATERIAL		FINISH		WEIGHT		SCALE		SHEET		REV		CAGE CODE		DRAWING NO	
1		2		-		2:1		3		4		A2 00779		C=1571102	
THIS DRAWING IS A CONTROLLED DOCUMENT.		DWN M.BINNER 25FEB2002		CHK D.ROHDE 16NOV05		APVD D.ROHDE 16NOV05		NAME		TE Connectivity		POWER ROCKER SWITCH, 21.2mm X 36.6mm MIN		PANEL CUT-OUT SIZE	
mm [INCHES]		TOLERANCES UNLESS OTHERWISE SPECIFIED:		MATERIAL		FINISH		WEIGHT		SCALE		SHEET		REV	
0 PLC ± -		1 PLC ± -		1		2		-		2:1		3		4	
2 PLC ± -		3 PLC ± -		1		2		-		2:1		3		4	
4 PLC ± -		ANGLES ± -		1		2		-		2:1		3		4	
MATERIAL		FINISH		WEIGHT		SCALE		SHEET		REV		CAGE CODE		DRAWING NO	
1		2		-		2:1		3		4		A2 00779		C=1571102	

LOC		DIST		REVISIONS			
P	LTR	DESCRIPTION	DATE	DWN	APVD		
-	-	SEE SHEET 1	-	-	-		

1 MATERIALS:
 ROCKER BUTTON, FRAME & HOUSING: NYLON 66, UL 94 V-2.
 PLUNGER: PHENOLIC
 SEAL: SILICONE RUBBER
 SCREW TERMINAL, ACTIVE CONTACTOR, CONTACTOR SUPPORT: COPPER
 ALLOY PER ASTM B152
 QC & SOLDER TERMINAL: COPPER ALLOY PER ASTM B036
 SPRING: STEEL WIRE
 CONTACTS: SILVER-TIN OXIDE

2 FINISH:
 CONTACTOR SUPPORT, ACTIVE CONTACTOR: 1.01µm [.000040]
 MIN SILVER
 QC TERMINAL: 1.27µm [.000050] MIN NICKEL
 SOLDER TERMINAL: 1.27µm [.000050] MIN TIN

3. ELECTRICAL SPECIFICATIONS:
 CURRENT AND VOLTAGE: 6
 CONTACT RESISTANCE (INITIAL): <50mΩ
 DIELECTRIC STRENGTH (INITIAL): >1000 VAC, 1 MINUTE
 INSULATION RESISTANCE (INITIAL): >100MΩ MIN (500VDC BETWEEN OPEN CONTACTS)
 ELECTRICAL LIFE ENDURANCE: >6000 OPERATIONS, VOLTAGE DROP: <100mV
 TEMPERATURE RISE AT TERMINALS: <30°C, 6000 OPERATIONS
 (AMBIENT CONDITIONS: 25±2°C AND 65±5%R.H)

4. MECHANICAL SPECIFICATIONS:
 ACTUATING FORCE: 1100g MIN, 1900g MAX
 OPERATING LIFE ENDURANCE: >100,000 OPERATIONS
 TERMINAL RETENTION FORCE: >9kg- SOLDER LUG
 >9kg- QC TAB
 >6.8kg- #6-32 UNC SCREW TERMINAL

5. ENVIRONMENTAL SPECIFICATIONS:
 AMBIENT TEMPERATURE: -20°C TO +85°C
 DEGREE OF PROTECTION: IP66

6 20A 125VAC, 10A 250VAC/12A 125VAC, 3/4HP/ 10A 277VAC, 3/4HP

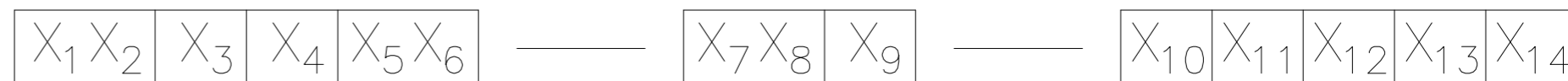
7 COUNTRY OF ORIGIN AND TERMINAL IDENTIFICATION NUMBERS
 MOLDED APPROXIMATELY AS SHOWN ON THE SWITCH HOUSING.

8 ELECTRICAL RATINGS, APPROVED AGENCY LOGOS AND THE TE
 CONNECTIVITY LOGO INK MARKED APPROXIMATELY AS SHOWN ON
 THE SWITCH HOUSING.

9. COMPONENT RECOGNIZED TO US & CANADIAN STANDARDS,
 UL FILE NO. E46765.

10. ROHS 2002/95/EC COMPLIANT

ALCOSWITCH PART NUMBER



SWITCH TYPE: X1 X2 = PR - POWER ROCKER

SECONDARY ROCKER COLOR: X12 = Ø - NOT APPLICABLE

PANEL CUT OUT SIZE: X3 = C - 21.2x36.6 MIN
 [.835x1.441]

NUMBER OF POLES: X4 = D - DOUBLE

SWITCH FUNCTION: X5 X6 =
 A1-ON-OFF, WITH OPAQUE, SINGLE-COLOR
 ROCKER BUTTON.

LEGEND TEXT PATTERN: X13 =



CURRENT RATING: X7 X8 = 20 - 6

TERMINAL TYPE: X9 = E - QC TAB
 L - SOLDER LUG
 S - #6-32 UNC SCREW

FRAME COLOR: X10 = B - BLACK
 W - WHITE

LEGEND TEXT COLOR: X14 = Ø - NOT APPLICABLE
 G - GREEN
 R - RED
 B - BLACK
 W - WHITE

ROCKER COLOR: X11 = B - BLACK
 G - GREEN
 R - RED
 W - WHITE
 Y - YELLOW

3	PRCDA1-20S-BB0CW	1-1571102-1
3	PRCDA1-20S-BB0BW	1-1571102-0
3	PRCDA1-20S-BB000	1571102-9
2	PRCDA1-20L-BR000	1571102-8
1	PRCDA1-20F-BR000	1571102-7
2	PRCDA1-20L-BB0CW	1571102-6
2	PRCDA1-20L-BB0BW	1571102-5
2	PRCDA1-20L-BB000	1571102-4
1	PRCDA1-20F-BB0CW	1571102-3
1	PRCDA1-20F-BB0BW	1571102-2
1	PRCDA1-20F-BB000	1571102-1
SHEET REF	ALCOSWITCH PART NUMBER	TYCO PART NUMBER

THIS DRAWING IS A CONTROLLED DOCUMENT.		DWN M.BINNER 25FEB2002	TE Connectivity	
DIMENSIONS: mm [INCHES]		CHK D.ROHDE 16NOV05	NAME POWER ROCKER SWITCH, 21.2mm X 36.6mm MIN PANEL CUT-OUT SIZE DOUBLE POLE, SINGLE THROW, NON-ILLUMINATED	
TOLERANCES UNLESS OTHERWISE SPECIFIED: 0 PLC ± - 1 PLC ± - 2 PLC ± - 3 PLC ± - 4 PLC ± - ANGLES ± -		APVD D.ROHDE 16NOV05	SIZE A2	
MATERIAL 1		PRODUCT SPEC -	CAGE CODE 00779	DRAWING NO C=1571102
FINISH 2		APPLICATION SPEC -	RESTRICTED TO -	SCALE 2:1
WEIGHT -		WEIGHT -	SHEET 4 OF 4	REV C3
CUSTOMER DRAWING				