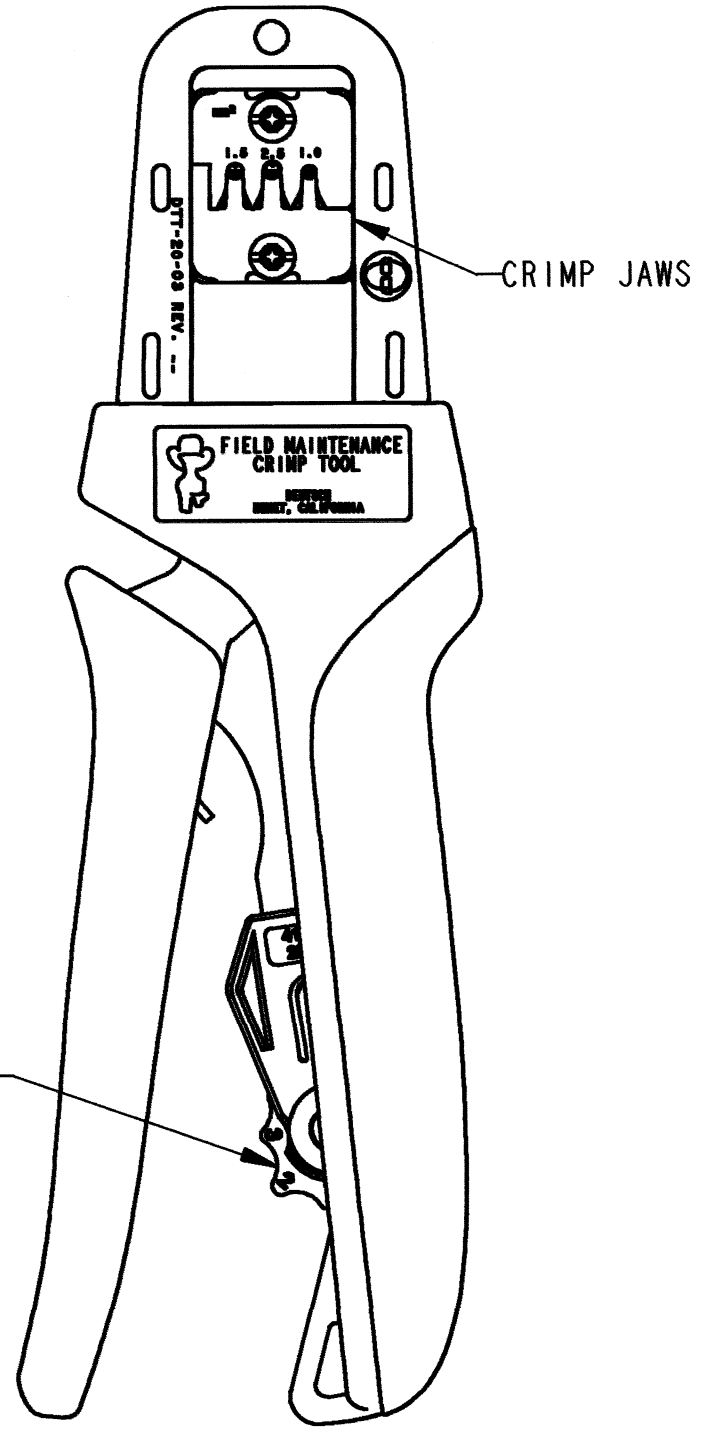


LOCATOR BLOCK AND WIRE STOP



CRIMP JAWS

RATCHET

REV A DTT-20-03

REVISIONS			
SYM	DESCRIPTION	DATE	APPROVED
NC	NEW RELEASE PER E.O. P20355	10-23-09	R.D.R.
A	REVISED PER E.O. P20576	8-23-10	RDR

CRIMP DATA		
1060-20-06** PIN		
1062-20-06** SOCKET		
CAVITY	CONDUCTOR WIRE SIZE	INSULATION RANGE
1.0mm²	18 TXL	.075 - .100 [1.91 - 2.54]
	18 GXL	
	18 SXL	
	1.0 mm ²	
1.5mm²	16 TXL	.082 - .112 [2.08 - 2.84]
	16 GXL	
	1.5 mm ²	
2.5mm²	16 SXL	.090 - .125 [2.29 - 3.18]
	14 TXL	
	14 GXL	
	2.5 mm ²	

- 5. EACH TOOL INCLUDES AN INSTRUCTION MANUAL 0425-076-0000.
- **=CONTACT PLATING CODE (22=NICKEL; 44=SELECTIVE GOLD).
- CONDUCTOR TYPES ARE PER ISO 6722(METRIC) AND J1128(AWG).
- 2. TOOL IS BLACK WITH DARK BLUE HANDLES.
- 1. DIMENSIONS ARE IN INCHES [mm].

NOTES: UNLESS OTHERWISE SPECIFIED.

SIGNATURE & DATE	
DR	J. APOSTOL 19FEB2009
CHK	R. [signature] 8/20/10
PE	[signature] 8/16/2010
APPD	R. [signature] 8-20-10
SCALE	NONE WT _____

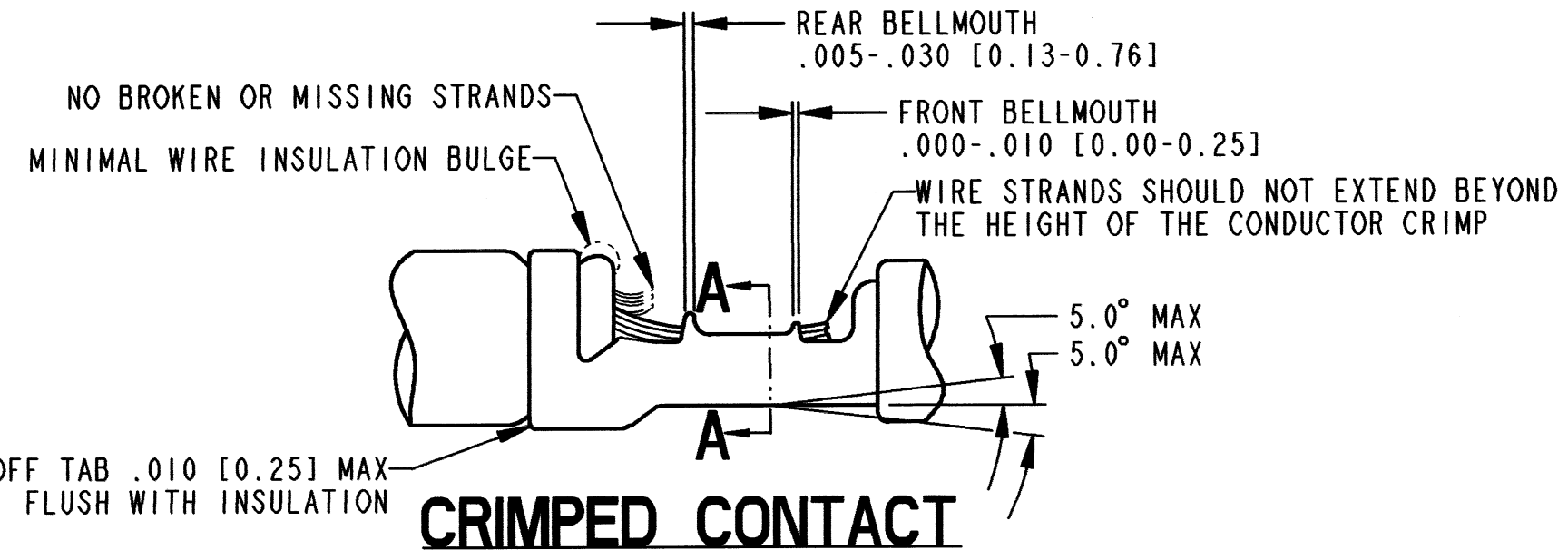
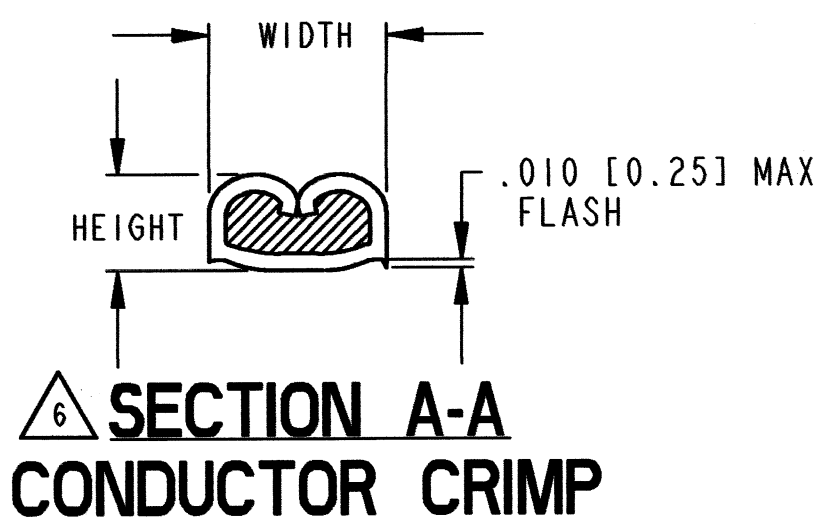
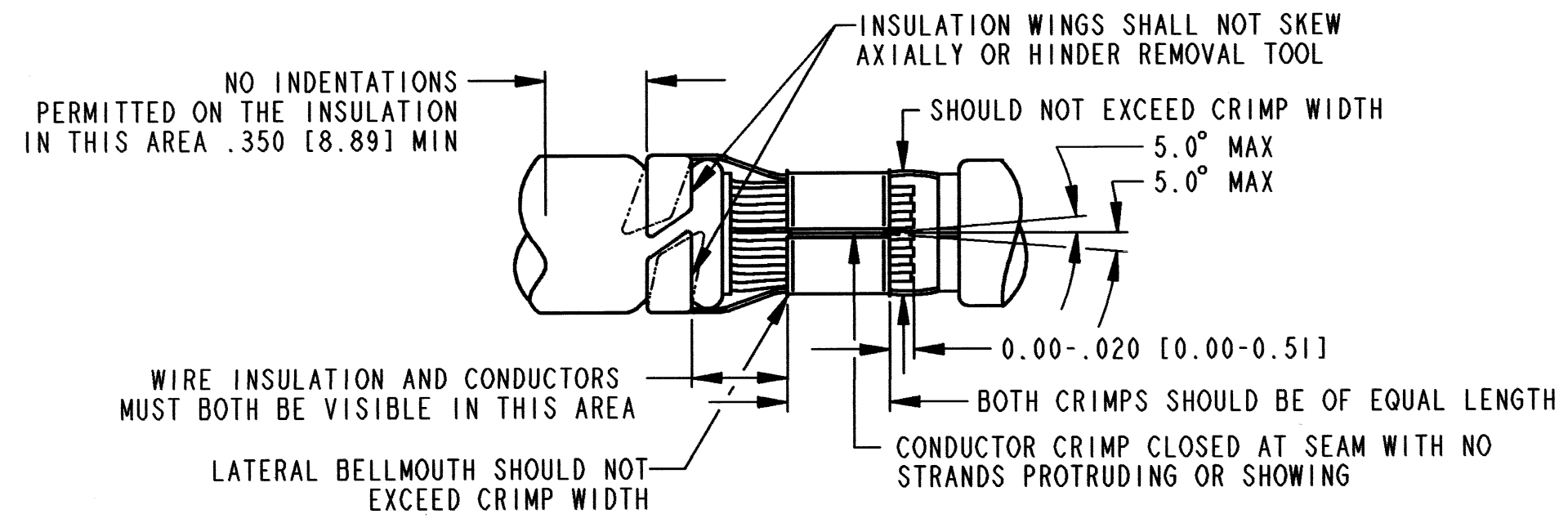
FIELD MAINTENANCE
CRIMP TOOL
DTT-20-03
20 SIZE S/F

ENVELOPE

EP 178	MATL. CODE
3850 INDUSTRIAL AVE. HEMET, CA 92545	
B	DTT-20-03
DWG SIZE	CODE 11139 SHEET 1 OF 2

REV
A **DTT-20-03**

REVISIONS			
SYM	DESCRIPTION	DATE	APPROVED
A	SEE SHEET 1	8-23-10	RDR



NOTES:

SIGNATURE & DATE	
DR	J. APOSTOL 19FEB2009
CHK	RDR 8/20/10
PE	
APPD	R. RDR 8-23-10
SCALE	NONE WT

FIELD MAINTENANCE
CRIMP TOOL
DTT-20-03
20 SIZE S/F

ENVELOPE

EP 178	MATL. CODE
3850 INDUSTRIAL AVE. HEMET, CA 92545	
B	DTT-20-03
DWG SIZE	CODE 11139 SHEET 2 OF 2