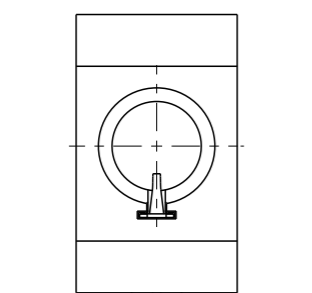
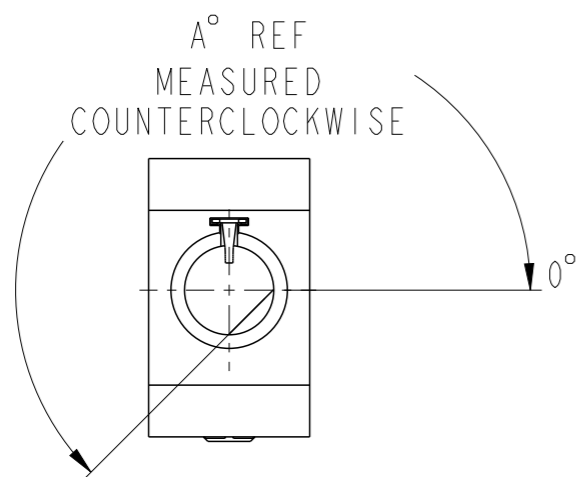


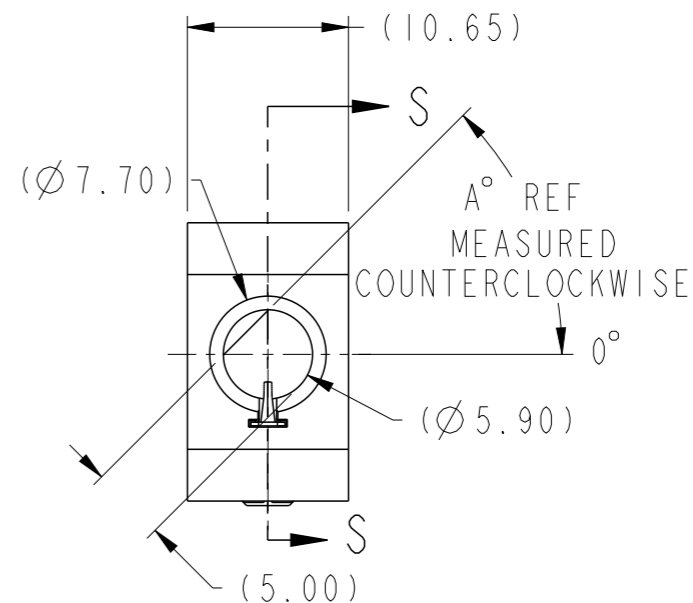
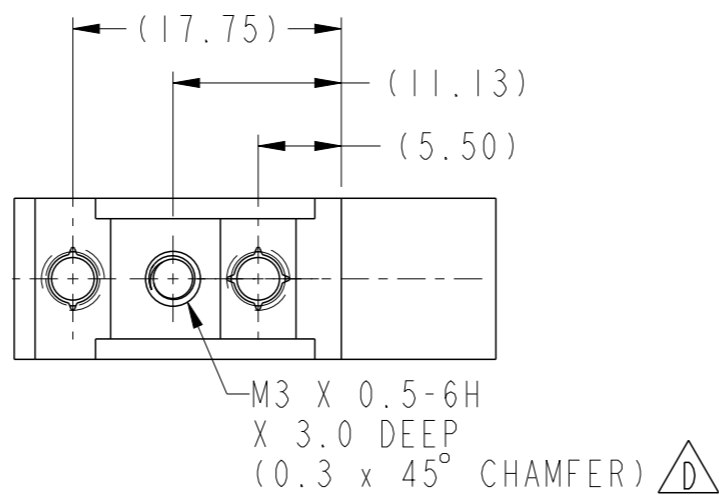
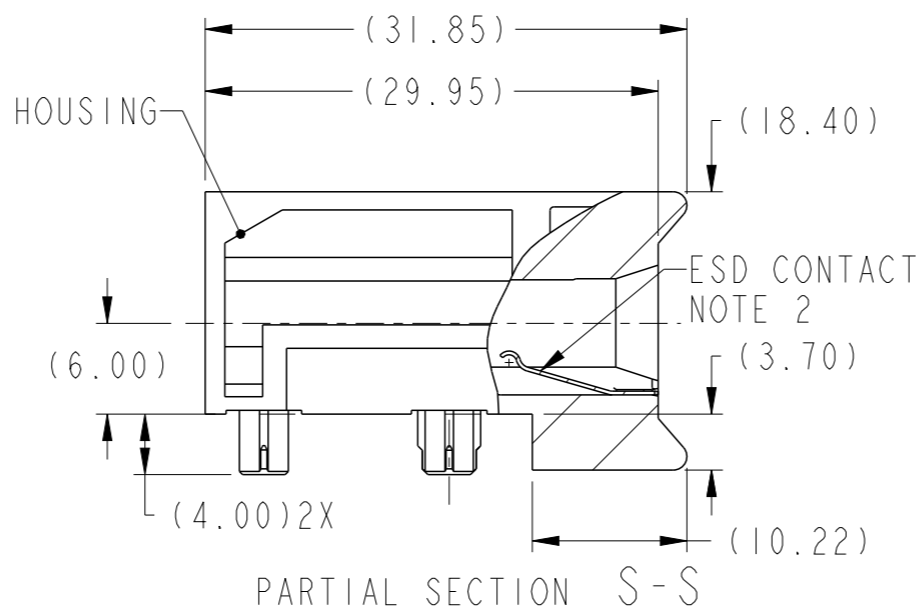
PRODUCT NUMBER
SEE TABLE, SHT 2



VIEW H
ESD ORIENTAION

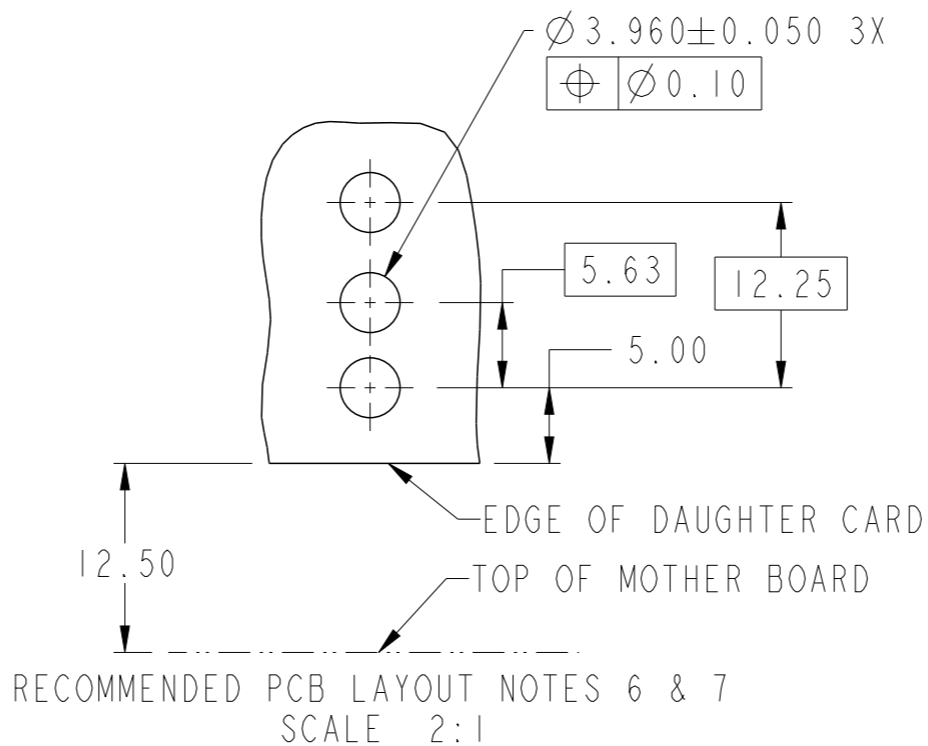


VIEW G
ESD ORIENTATION



spec ref	dr	Chen-Hong Tan	2005/08/17	projection	MM	size	A3	scale	1:1
tolerance std	eng	Yong-Keat Lim	2011/10/04			ecn no	ELX-S-006144-1	rel level	Released
ASME Y14.5	chr	-	-						
TOLERANCES UNLESS OTHERWISE SPECIFIED	appr	Chen-Hong Tan	2011/10/07	product family	AirMax Accessories				
surface $\sqrt{3.2}$	linear	0.X	$\pm .3$		10.8mm GUIDE MODULE ASSY WITH ESD & KEYING OPTIONS	dwg no	10037912	rev	D
		0.XX	$\pm .10$						
		0.XXX	$\pm .050$						
ASME Y14.5	angular	0°	$\pm 2^\circ$	www.fci.com	cat. no.	-	Product - Customer Drw	sheet 1 of 3	

PRODUCT NUMBER NOTES 4 & 8	DIM A	ESD PIN LOCATION
10037912-1X1LF	0°	PER VIEW F
10037912-1X2LF	45°	PER VIEW F
10037912-1X3LF	90°	PER VIEW F
10037912-1X4LF	135°	PER VIEW G
10037912-1X5LF	180°	PER VIEW G
10037912-1X6LF	225°	PER VIEW G
10037912-1X7LF	270°	PER VIEW G
10037912-1X8LF	315°	PER VIEW F
10037912-1X9LF	N/A NOTE 5	PER VIEW H



spec ref	dr	Chen-Hong Tan	2005/08/17	projection	MM	size	A3	scale	1:1	
tolerance std	eng	Yong-Keat Lim	2011/10/04			ecn no	ELX-S-006144-1			
ASME Y14.5	chr	-	-				rel level	Released		
	appr	Chen-Hong Tan	2011/10/07	product family		AirMax Accessories				
surface	linear	0.X	±.3		10.8mm GUIDE MODULE ASSY		dwg no 10037912	rev		
ASME Y14.5		0.XX	±.10		WITH ESD & KEYING OPTIONS			D		
	angular	0°	±2°		www.fci.com					
cat. no.		-		Product - Customer Drw		sheet 2 of 3				



A

B

C


D

A

B

C

D

- ①. MATERIAL: ZINC ALLOY
- ②. FINISH: HOUSING; ZINC YELLOW CHROMATE
ESD CONTACT; 1.27um MINIMUM NICKEL ALL OVER
- 3. APPLICATION SPEC: GS-20-045
- ④. X = 0 FOR MODULES WITH ESD GROUNDING OPTION
X = 1 FOR MODULES W/O ESD GROUNDING OPTION
- ⑤. FOR THE -109LF VERSION (NO KEY) THE MATING GUIDE PIN MUST BE ORIENTATED SO IT MAKES CONTACT WITH THE ESD PIN
- ⑥. THRU HOLE PLATING AND ANNULAR RINGS MUST BE ADDED AS APPROPRIATE FOR APPLICATIONS WITH THE ESD GROUNDING OPTION. FINISHED HOLE SIZE IS THE SAME REGARDLESS OF PLATED BARREL OR NOT
- ⑦. REFER TO CUSTOMER DRAWING 10035911 FOR INFORMATION REGARDING PCB LAYOUT OF POWER AND GUIDE MODULES RELATIVE TO SIGNAL MODULES
- ⑧. EQUIVALENT PRODUCTS SHOWN ON CUSTOMER DRAWING 10025408 MAY BE SUBSTITUTED PRIOR TO TOOLING COMPLETION
- 9. THIS PRODUCT MEETS EUROPEAN UNION DIRECTIVES AND OTHER COUNTRY REGULATIONS AS DESCRIBED IN GS-22-008.
- 10. PACKAGING MEETS GS-14-920 LEAD FREE LABELING SPECIFICATION.
- 11. A  SYMBOL WILL BE NEXT TO ANY DIMENSION, VIEW, OR NOTE WHICH HAS BEEN MODIFIED WITH THE CURRENT DRAWING REVISION.



Copyright FCI.

spec ref		dr	Chen-Hong Tan	2005/08/17	projection	MM	size	A3	scale	1:1
tolerance std	ASME Y14.5	TOLERANCES UNLESS OTHERWISE SPECIFIED			eng	Yong-Keat Lim	2011/10/04	ecn no	ELX-S-006144-1	
surface	3.2	linear	0.X	±.3	chr	-	-	rel level	Released	
			0.XX	±.10	appr	Chen-Hong Tan	2011/10/07	product family	AirMax Accessories	
			0.XXX	±.050	www.fci.com		cat. no.	-	Product - Customer Drw	sheet 3 of 3
ASME Y14.5		angular	0°	±2°	FCI		title	10.8mm GUIDE MODULE ASSY		rev
							dwg no	10037912		D