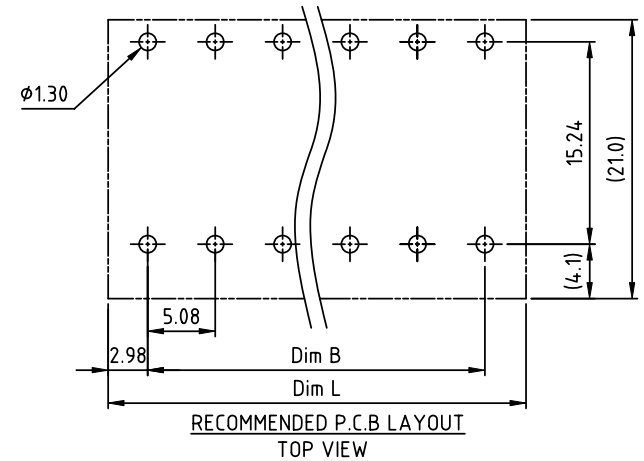
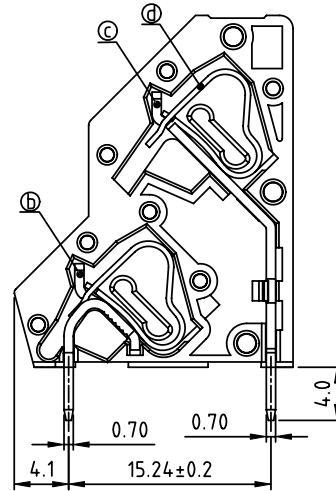
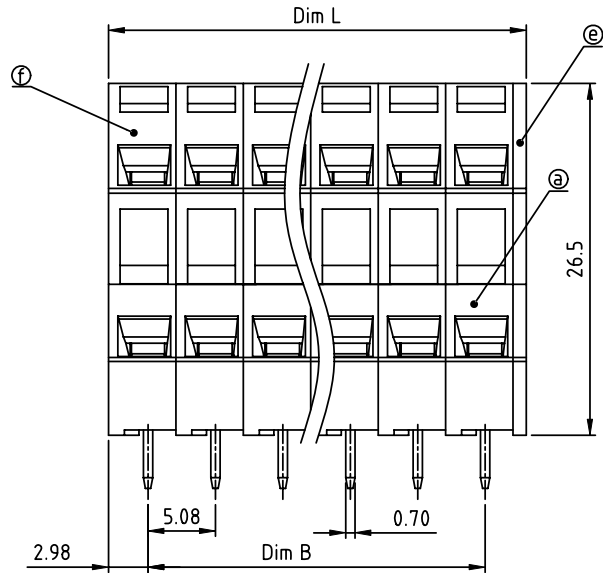


PRODUCT NUMBER	PITCH
HQxx30x000J0G	5.08mm

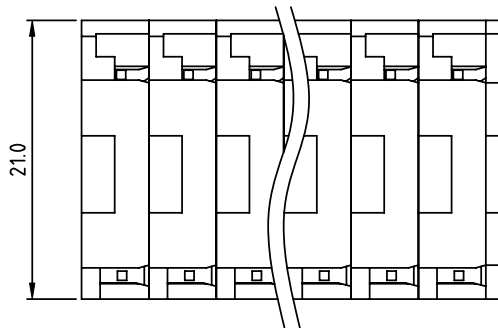


Material:

- Item (a) Terminal housing: Thermoplastic (UL94V-0)
- Item (d) Short pin: Brass, Tin plated
- Item (c) Long pin: Brass, Tin plated
- Item (d) Spring clamp: Stainless steel
- Item (a) Terminal cover: Thermoplastic (UL94V-0)
- Item (f) Terminal side housing: Thermoplastic (UL94V-0)

Electrical:

- Voltage rating: 300V
- Current rating: 10A
- Wire range:
- Solid wire (AWG): 12-28
- Stranded wire (AWG): 12-28
- Wire strip length: 5-6mm
- Withstanding Voltage: 1.6KV
- Operating temperature: -40°C to +115°C
- Soldering temperature: 260°C±5°C/5 Sec
- Safety Approval:



N=Number of poles
 Dim L=N/2×5.08+1.0
 Dim B=(N/2-1)×5.08

PART NO.: HQ xx 30 x 000J0 G

Poles	Dim L	Dim B
2×1p	±0.10	
2×2p-2×6p	±0.10	±0.10
2×7p-2×12p	±0.15	±0.15
2×13p-2×18p	±0.20	±0.20
2×19p-2×24p	±0.30	±0.30

No. of poles	Color	RoHS compliant (lead<4%) In copper Alloy
0	Black (RAL9005)	
End Stackable 2	Red (RAL3001/D)	
02 2x1 poles 3	Orange (RAL2011/P)	
04 2x2 poles 4	Yellow (RAL1018/A)	
... .. 5	Green (RAL6018/T)	
48 2x24 poles 6	Blue (RAL5015/A)	
	8 Grey (RAL7004/P)	
	9 White (RAL1102)	
	C Multiple colors	

mat'l. code		surface ASME Y14.5	tolerance ASME Y14.5	projection	product family
ltr ecn no dr date		tolerances unless otherwise specified			TERMINAL BLOCK
		angles	X.±0.5	MM	title
		LE	X.X±0.3		TERMINAL BLOCK
		X°±1°	X.XX±0.1	scale	SPRING CLAMP, 45D WIRE INLET, 2-LEVEL, PARALLEL TYPE
		dr	EVIN ZHONG 052914		dwg no
		enr	EVIN ZHONG 052914		sheet 1 of 1
		chr	HANKE FENG 052914		size
		appd	SHI JUN 052914		A4
sheet index	revision sheet	A			type
		1			CUSTOMER Drawing